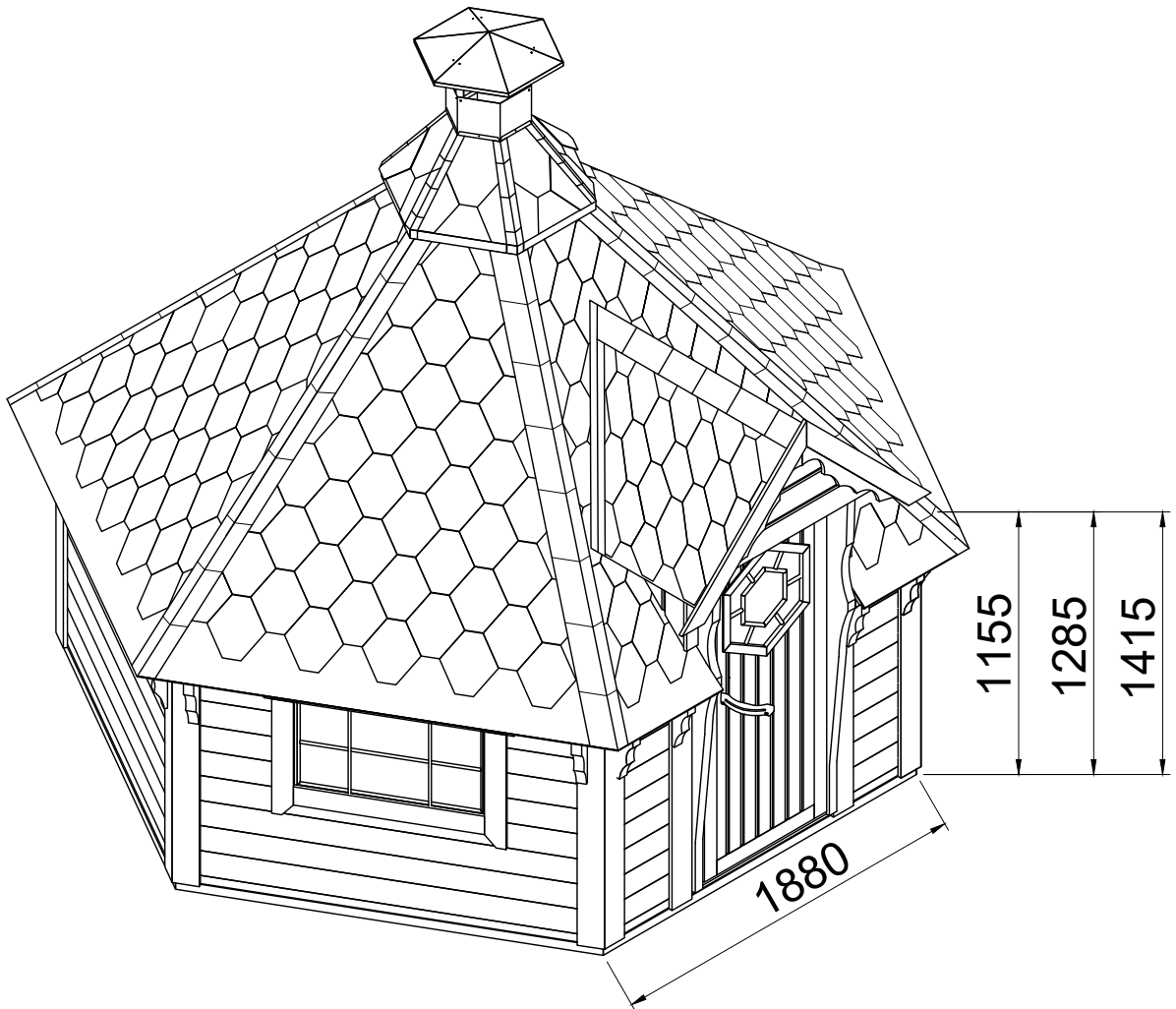
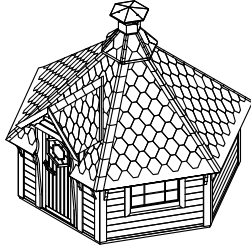


GRILL / CAMPING / SAUNA CABIN 9.2

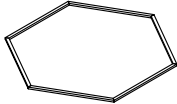


Stages of assembly

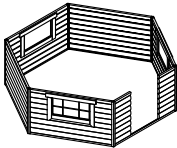
Grill / Camping / Sauna



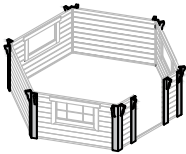
1. Step:
wood ring



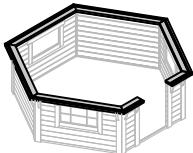
2. Step:
walls



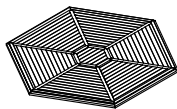
3. Step:
decoration (support)



4. Step:
roof support ring



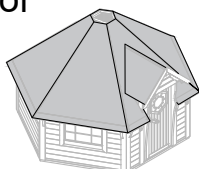
5. Step:
floors



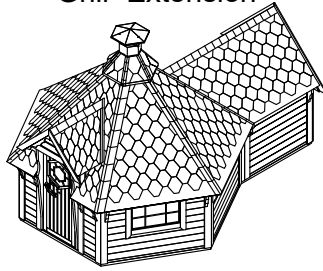
6. Step:
inside wall



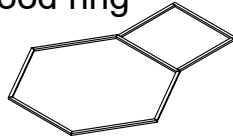
7. Step:
roof



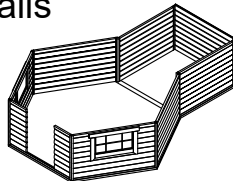
Grill+Extension



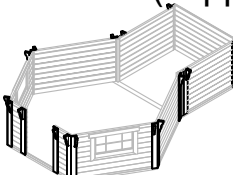
1. Step:
wood ring



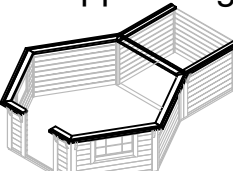
2. Step:
walls



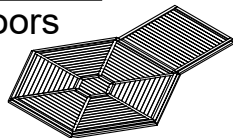
3. Step:
decoration (support)



4. Step:
roof support ring



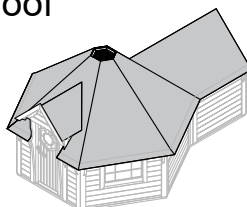
5. Step:
floors



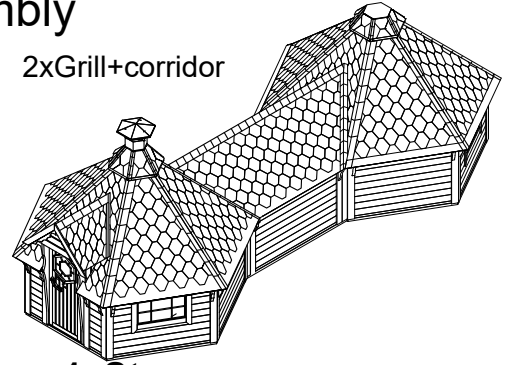
6. Step:
inside wall



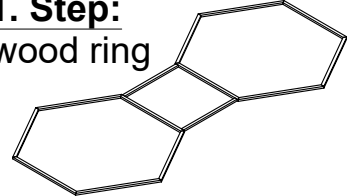
7. Step:
roof



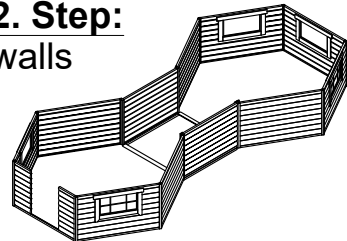
2xGrill+corridor



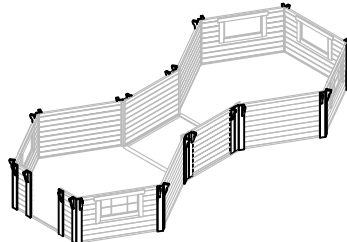
1. Step:
wood ring



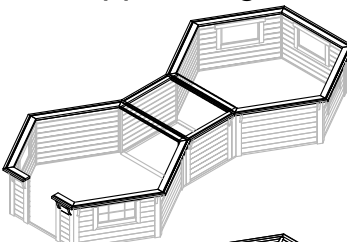
2. Step:
walls



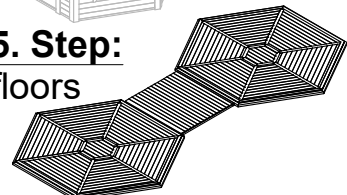
3. Step:
decoration (support)



4. Step:
roof support ring



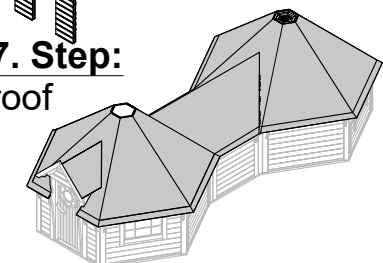
5. Step:
floors



6. Step:
inside wall



7. Step:
roof



Grill / Camping / Sauna Cabin 9.2 FOUNDATION

It is very important to have a proper foundation.

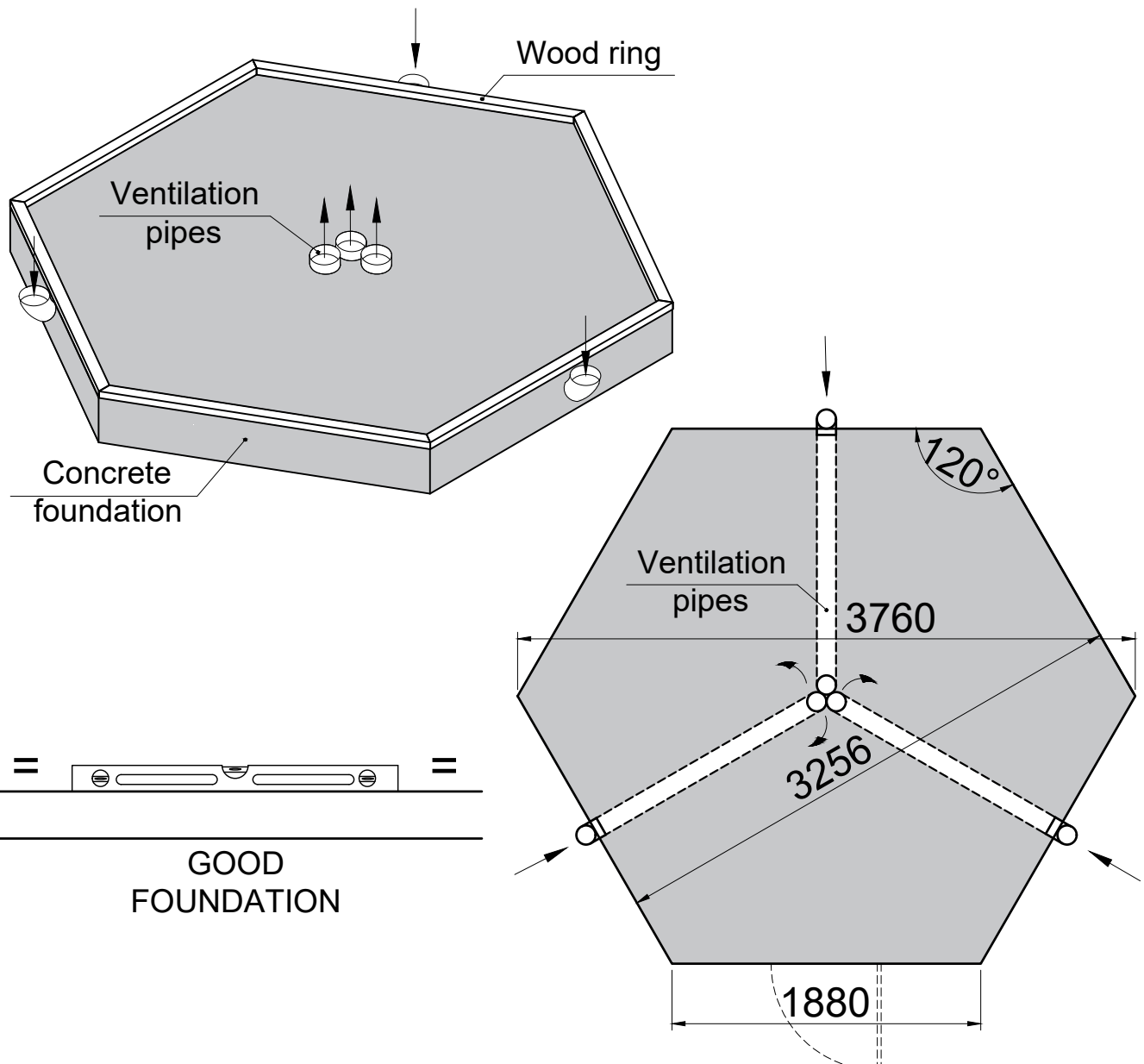
Therefore we recommend making the foundation according to the sketches here. First of all, foundation must be prepared according to the landscape and ground conditions.

The foundation under the product must be prepared specially, it must be homogeneous, tight and equal. It must be ensured that it will not change its properties. We recommend using concrete foundation. Before installation of product, we recommend to make hydro isolation of foundation.

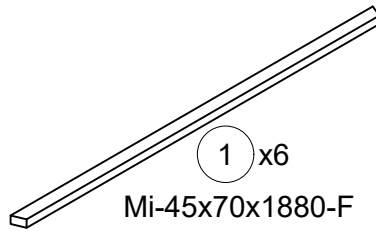
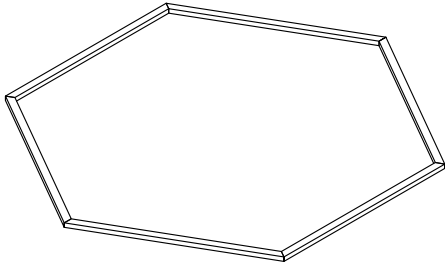
Consult a local qualified builder or an engineer to prepare a proper foundation, which fits to your location.

Due to improper foundation, cracks in the structures may occur. Due to uneven product seating, the geometric shape of the product may change, which can result in door / window twist, or/and gap may appear. And in the worst case product's collapse.

If you do not follow recommendation, product will lose its warranty.



1. Grill / Camping / Sauna Cabin 9.2 WOOD RING - FOUNDATION



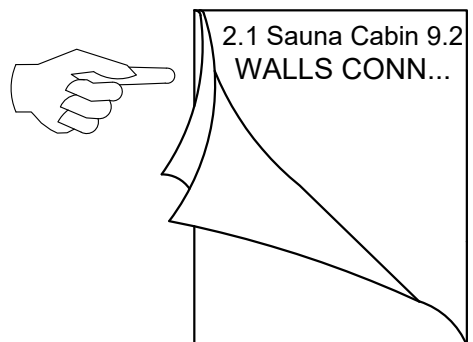
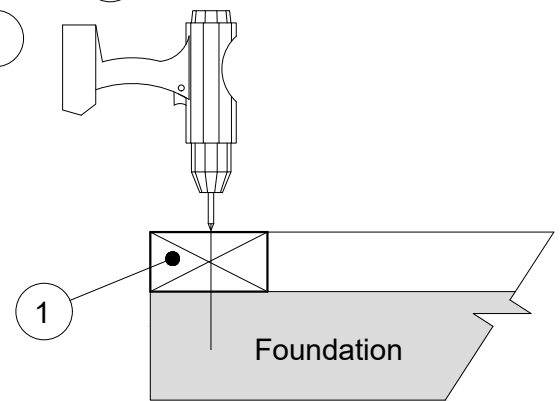
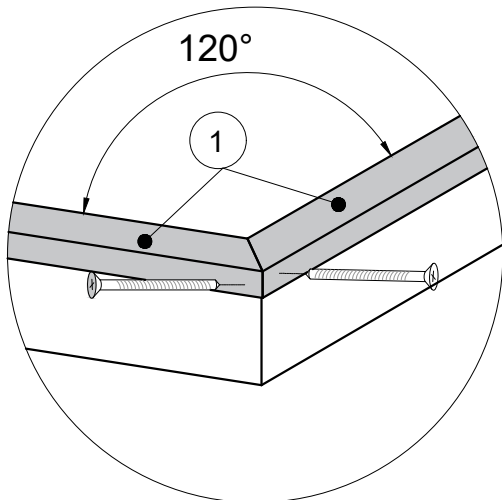
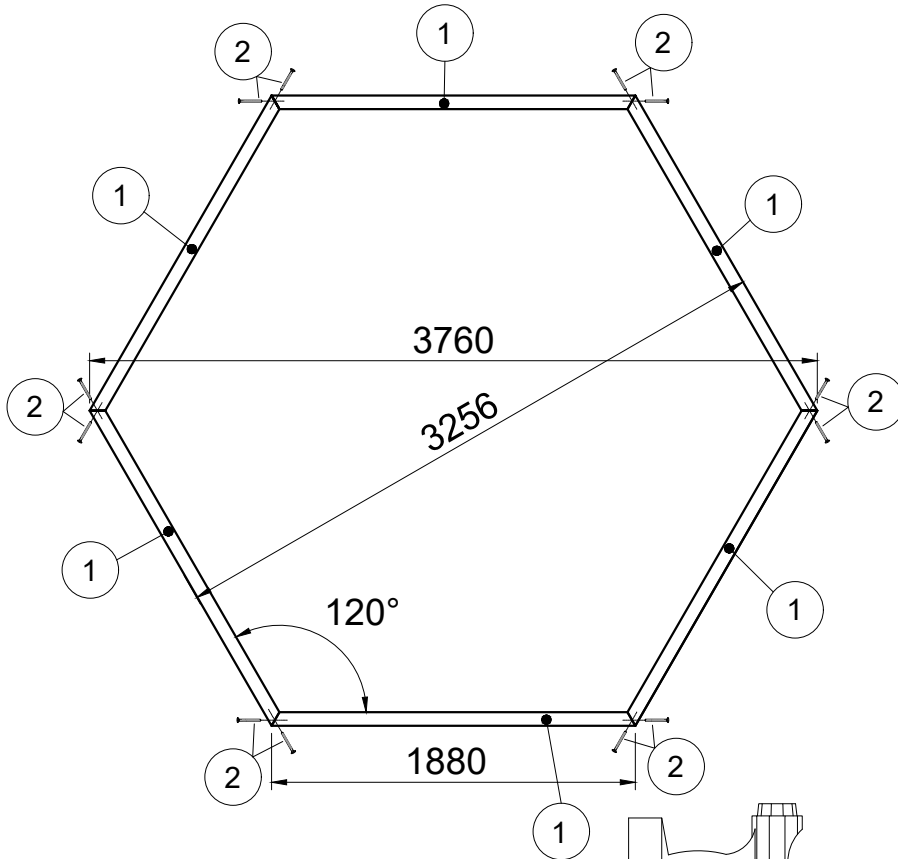
1 x6

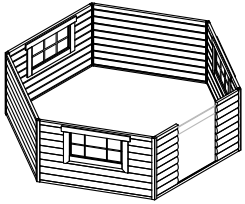
Mi-45x70x1880-F



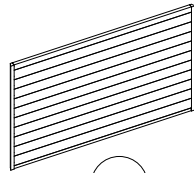
2 x12

T-GC-5x100



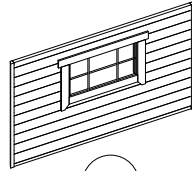


2. Grill / Camping Cabin 9.2 WALLS CONNECTION



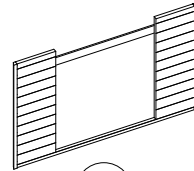
1 x2

GR9.2-S-1155x1880
or
GR9.2-S-1285x1880
or
GR9.2-S-1415x1880



2 x3

GR9.2-SL-1155x1880
or
GR9.2-SL-1285x1880
or
GR9.2-SL-1415x1880



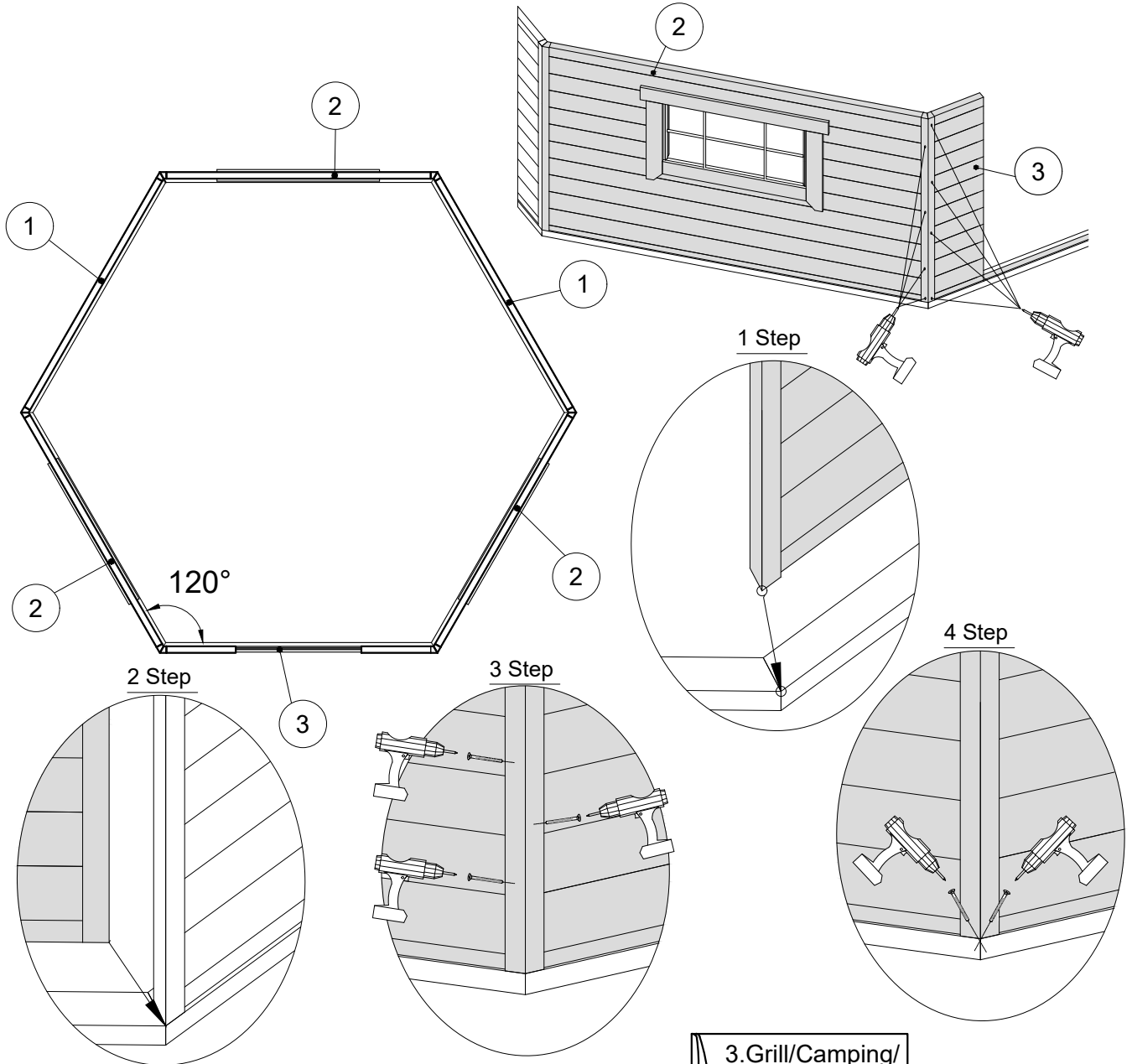
3 x1

GR9.2-SD-1155x1880
or
GR9.2-SD-1285x1880
or
GR9.2-SD-1415x1880



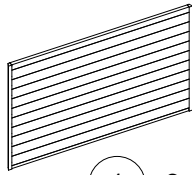
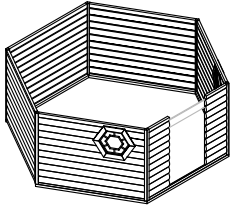
4 x48

T-GC-5x100



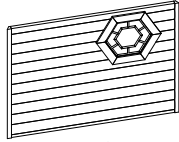
3. Grill/Camping/
Sauna Cabin 9.2
DECORATION..

2.1 Sauna Cabin 9.2 WALLS CONNECTION



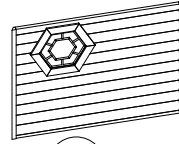
1 x3

GR9.2-S-1415x1880



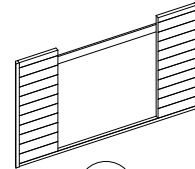
2 x1

S9.2-SL-1415x1880(k)



3 x1

S9.2-SL-1415x1880(d)

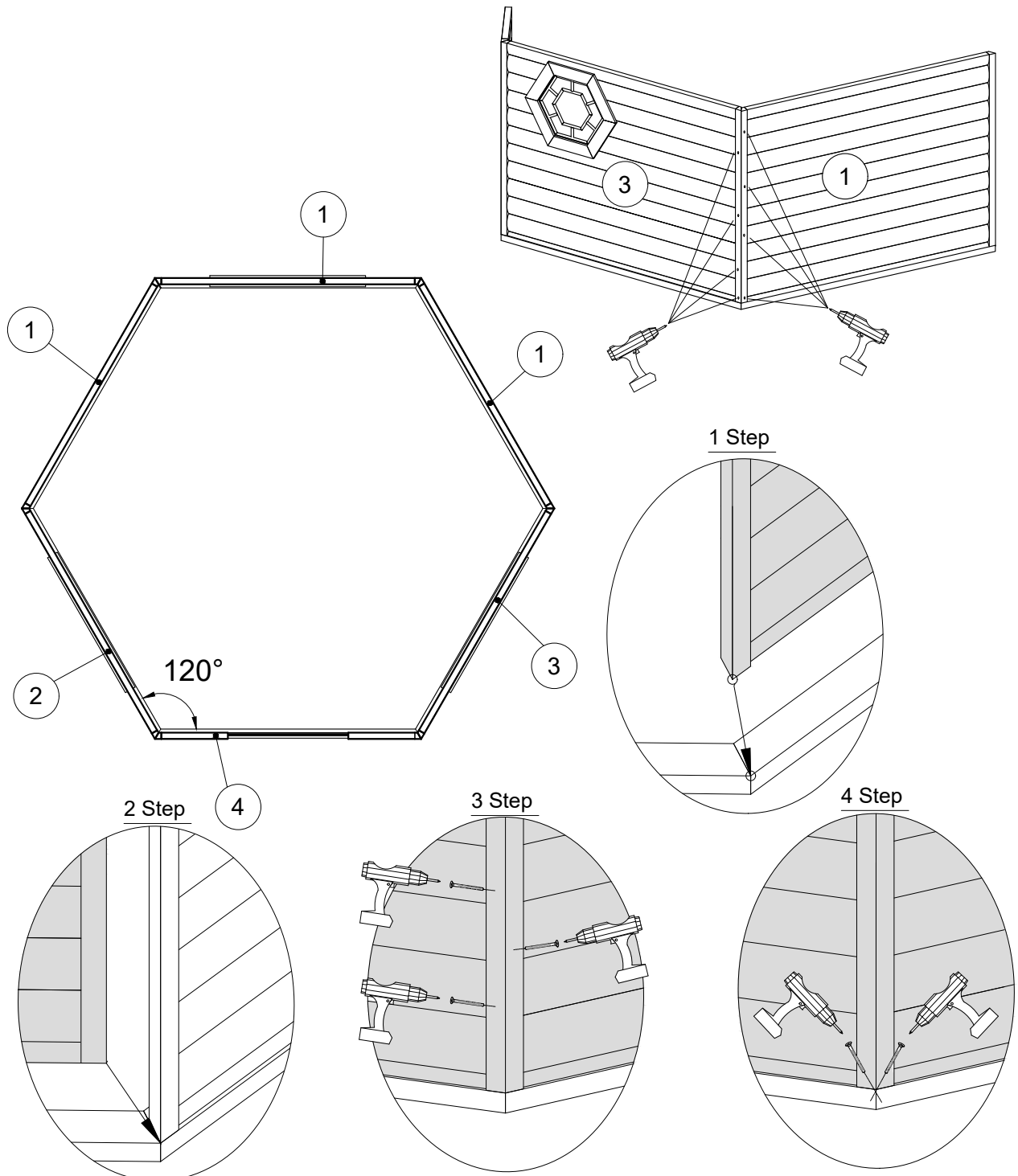


4 x1

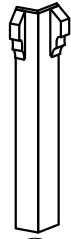
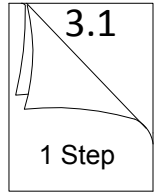
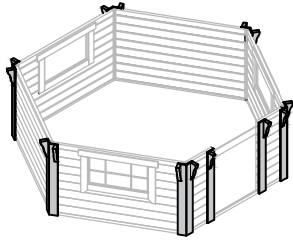
GR9.2-SD-1415x1880

5 x48

T-GC-5x100



3. Grill / Camping / Sauna Cabin 9.2 DECORATION (SUPPORT) OUTSIDE



1 x6

GR-6k-Apd-1155
or
GR-6k-Apd-1285
or
GR-6k-Apd-1415



2 x1

GR-Apd(k)-1155
or
GR-Apd(k)-1285
or
GR-Apd(k)-1415



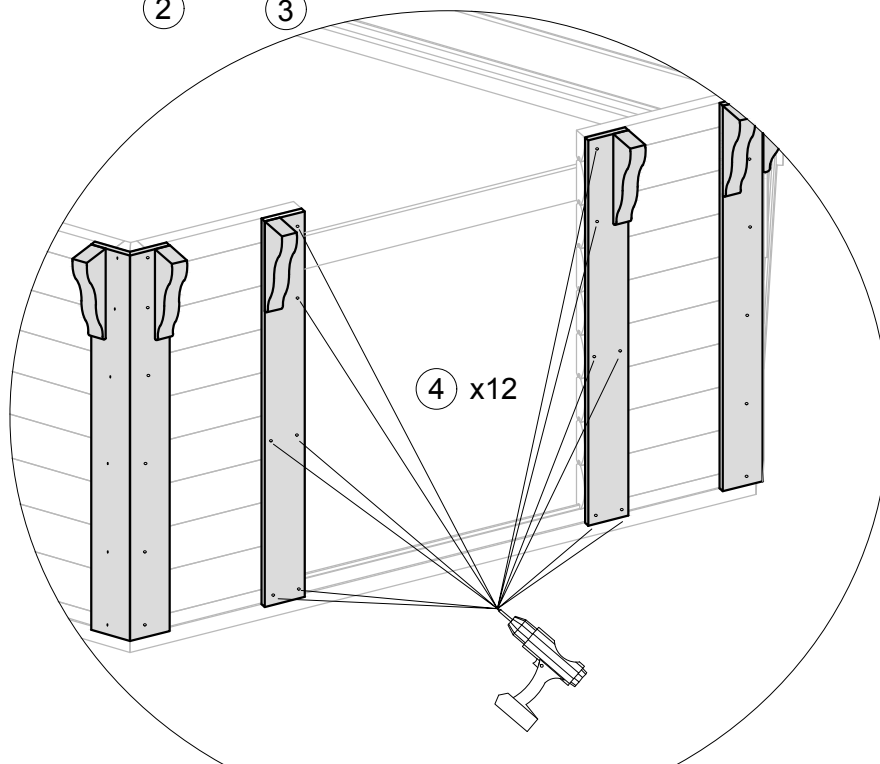
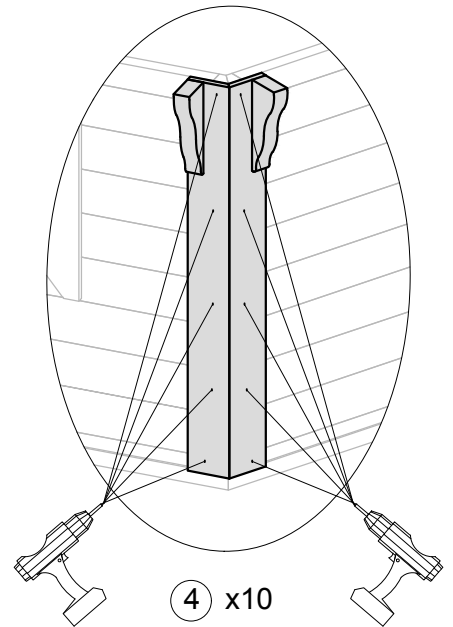
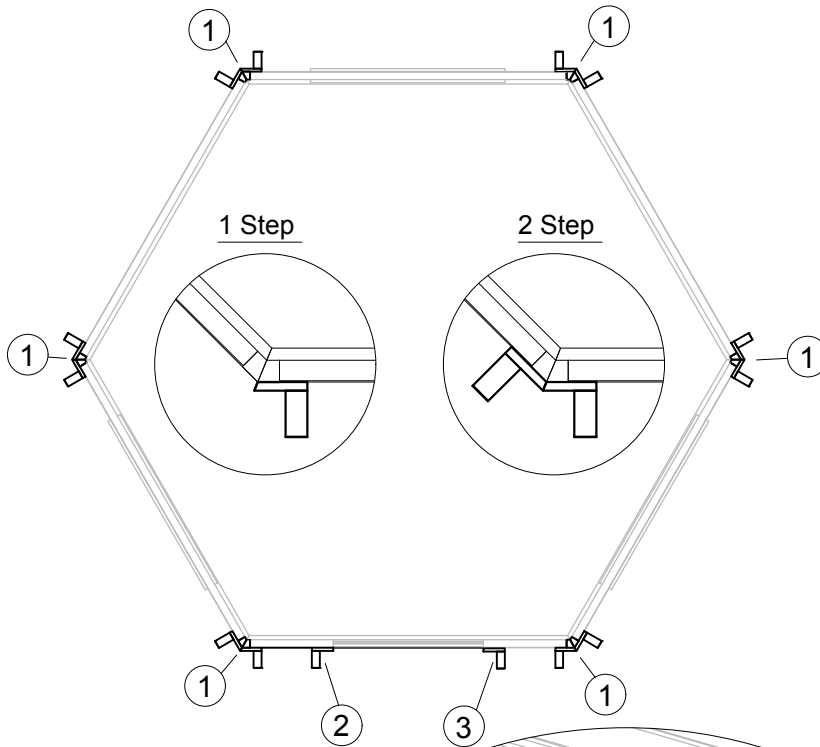
3 x1

GR-Apd(d)-1155
or
GR-Apd(d)-1285
or
GR-Apd(d)-1415

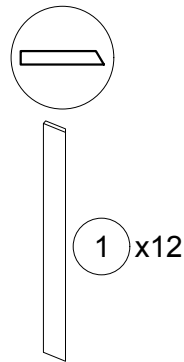


4 x72

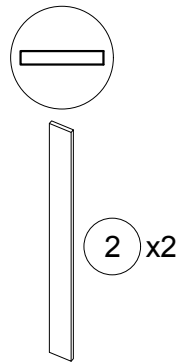
T-BC-4x50



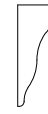
3.1 Grill / Camping/ Sauna Cabin 9.2 DECORATION (SUPPORT) OUTSIDE



M-18x95x1155-F
or
M-18x95x1285-F
or
M-18x95x1415-F



M-18x95x1155
or
M-18x95x1285
or
M-18x95x1415



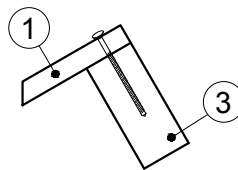
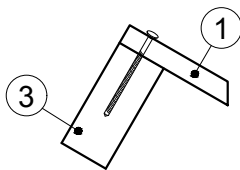
3 x14
M-45x95x270-CNC



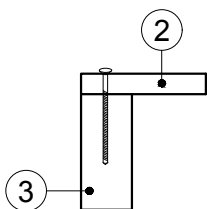
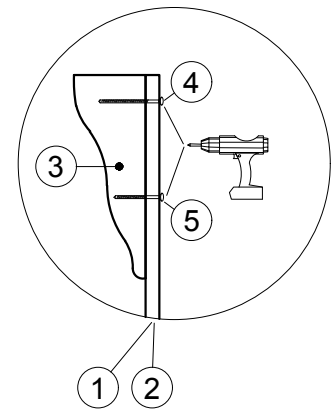
4 x14
T-BC-4x70



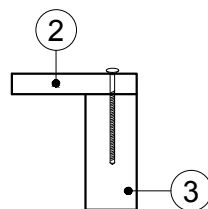
5 x14
T-BC-4x50



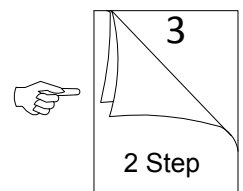
GR-6k-Apd-1155
or
GR-6k-Apd-1285
or
GR-6k-Apd-1415



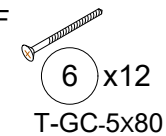
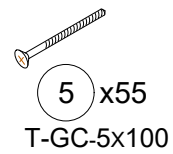
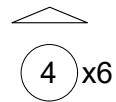
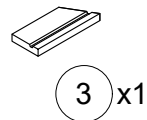
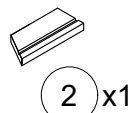
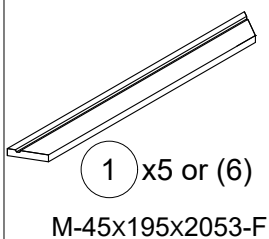
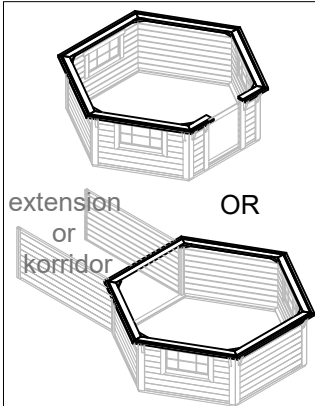
GR-Apd(k)-1155
or
GR-Apd(k)-1285
or
GR-Apd(k)-1415



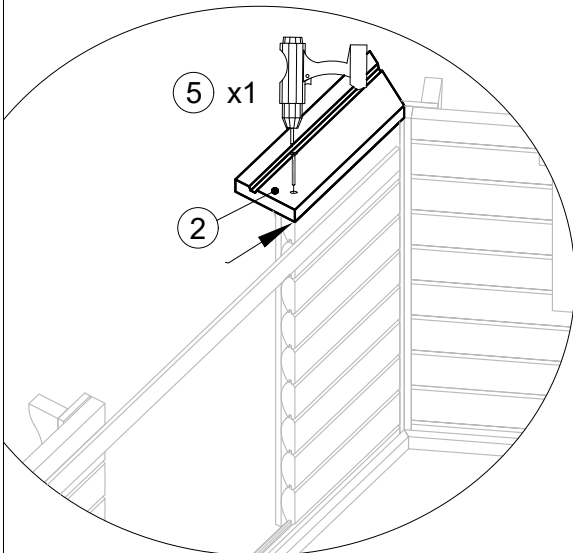
GR-Apd(d)-1155
or
GR-Apd(d)-1285
or
GR-Apd(d)-1415



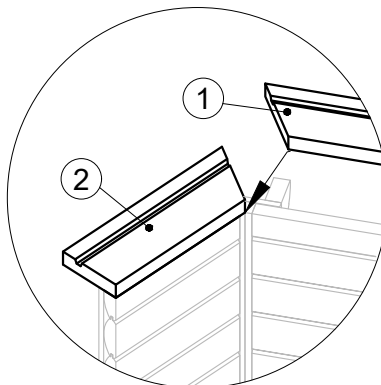
4. Grill / Camping / Sauna Cabin 9.2 ROOF SUPPORT RING



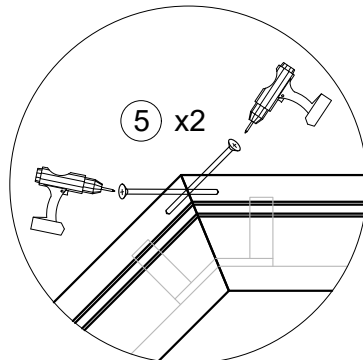
1 Step



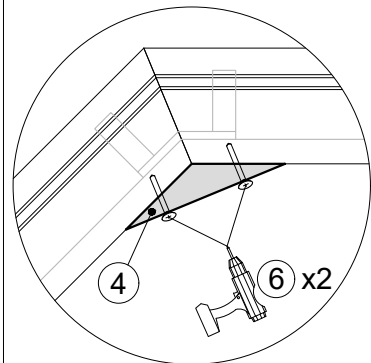
2 Step



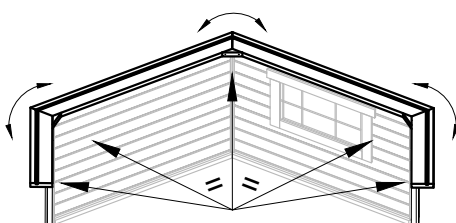
3 Step



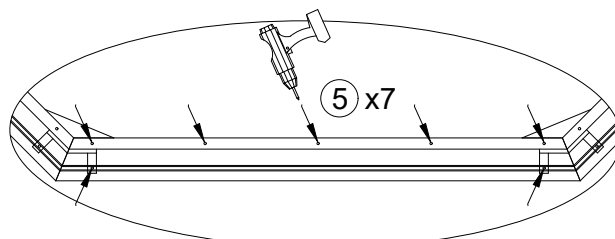
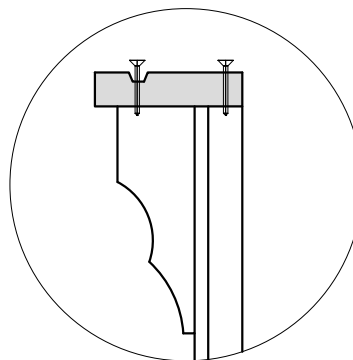
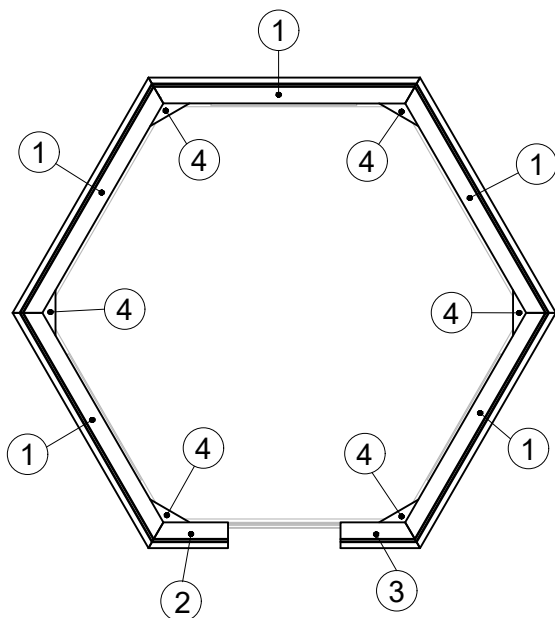
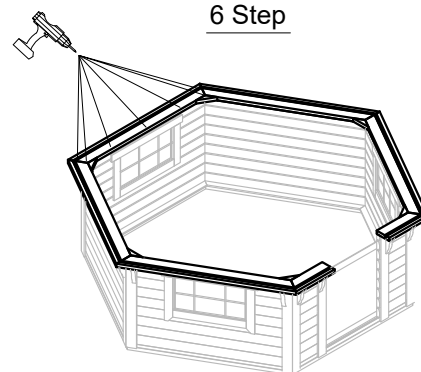
4 Step



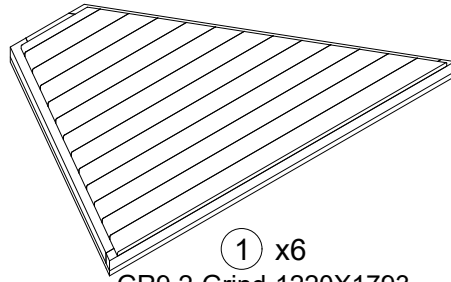
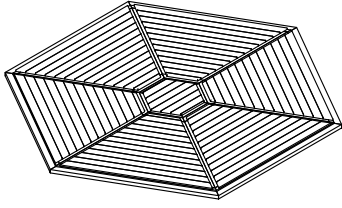
5 Step



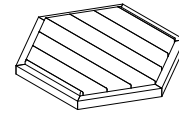
6 Step



5. Grill / Camping / Sauna Cabin 9.2 FLOORS



1 x6
 GR9.2-Grind-1220X1793
 or
 GR9.2-I-Grind-1220X1793
 or
 GR9.2-Spunt-1220X1793
 or
 GR9.2-I-Spunt-1220X1793

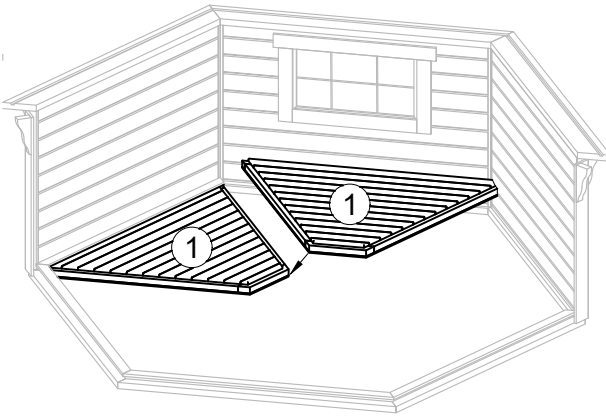


2 x1
 GR-6k-Grind-665X768
 or
 GR-6k-I-Grind-665X768
 or
 GR-6k-Spunt-665X768
 or
 GR-6k-I-Spunt-665X768

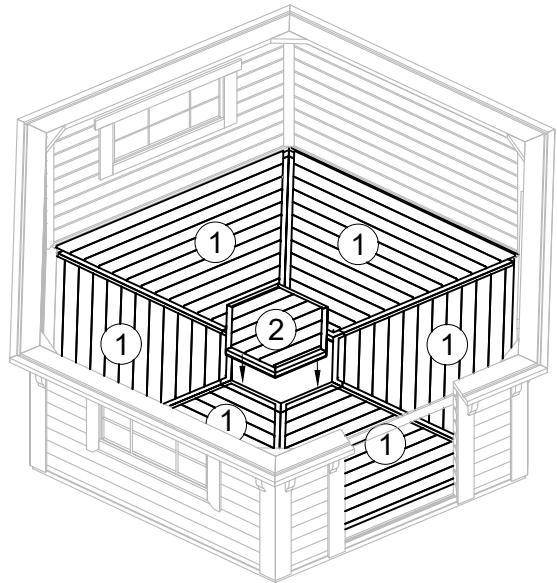


3 x42
 T-BC-3.5x45

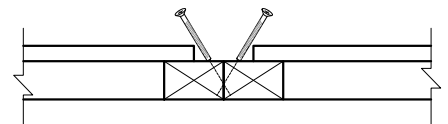
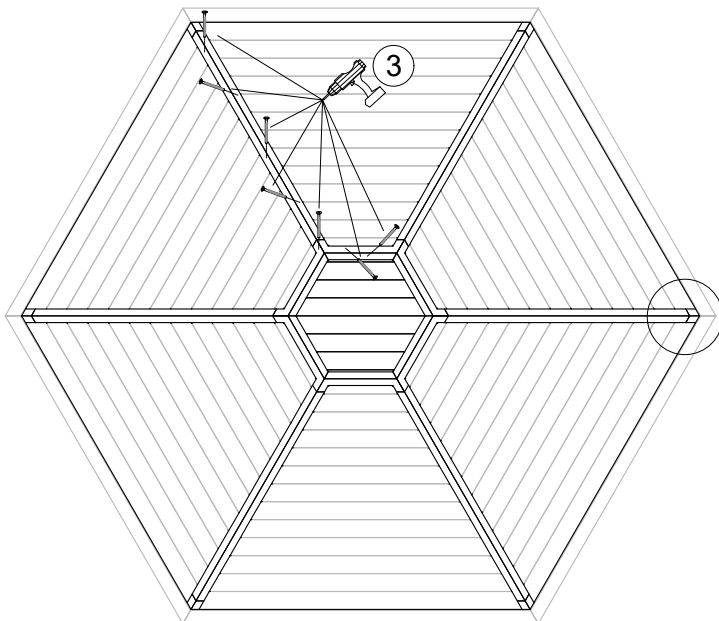
1 Step



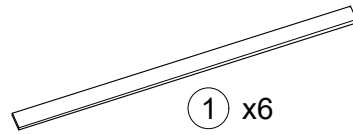
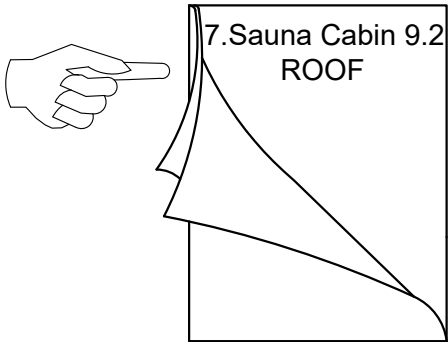
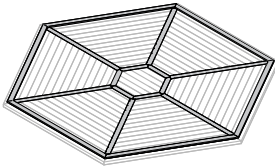
2 Step



3 Step



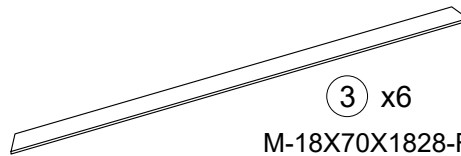
6. Grill / Camping / Sauna Cabin 9.2 FLOORS FINISHING BOARDS



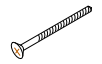
① x6
M-18X70X1367
or
Spunt-28x70x1367



② x6
M-18X70X404-F
or
Spunt-28x70x404-F

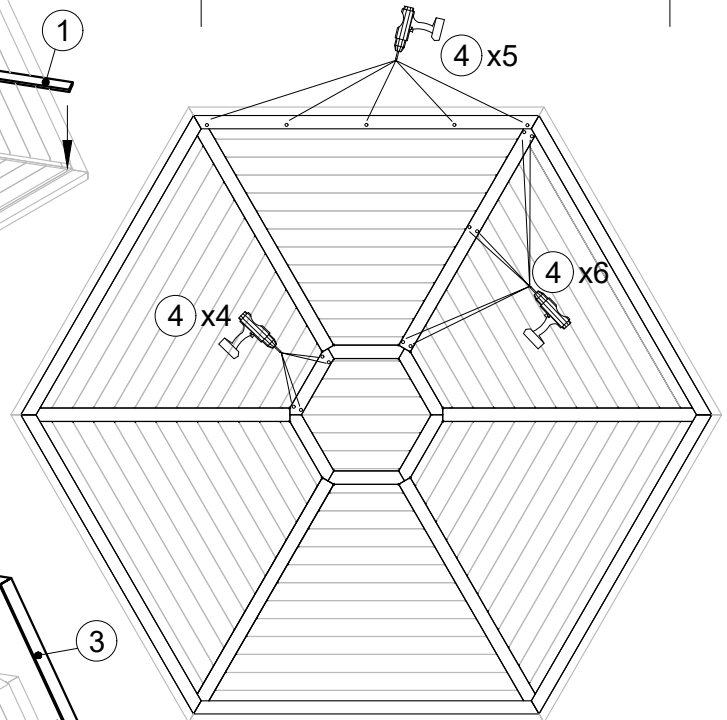
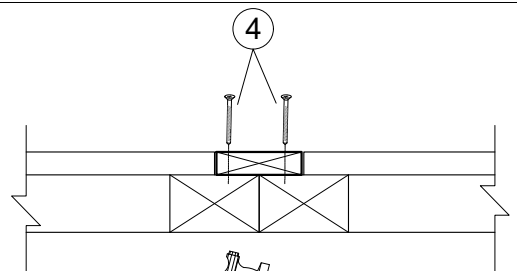
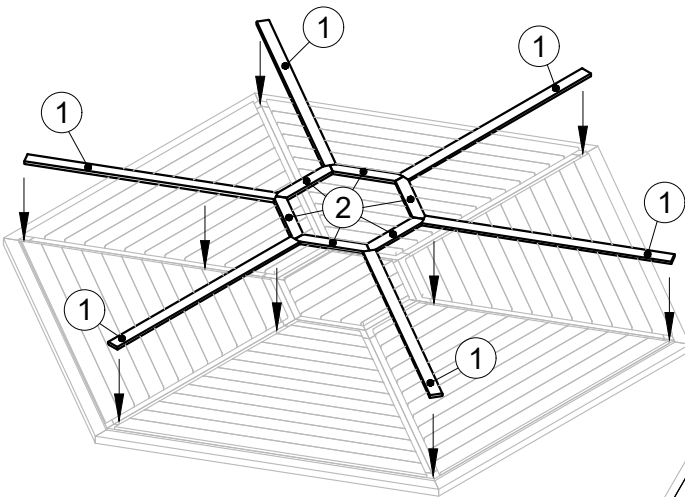


③ x6
M-18X70X1828-F

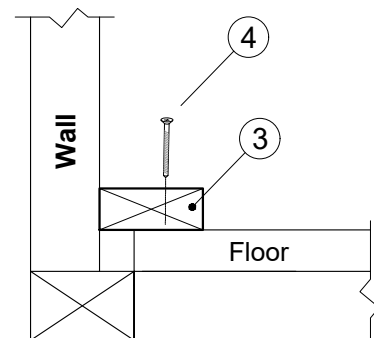
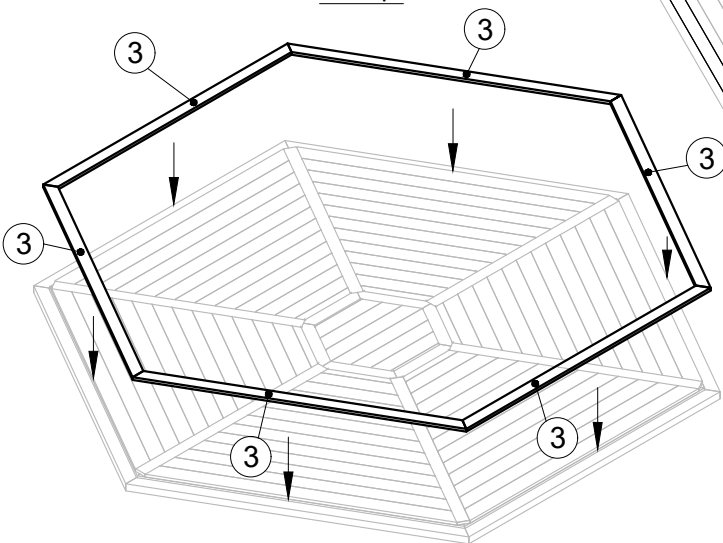


④ x90
T-GC-3.5x45

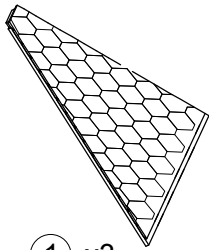
1 Step



2 Step

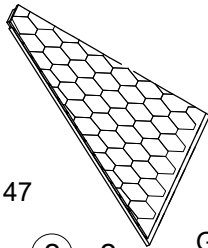


~~7. IF Sauna Cabin 9.2 WITH CHANGING ROOM~~



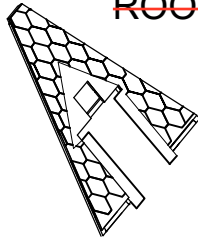
① x3

GR9.2-I-Stog-2022X2147
INSULATED ROOF



② x2

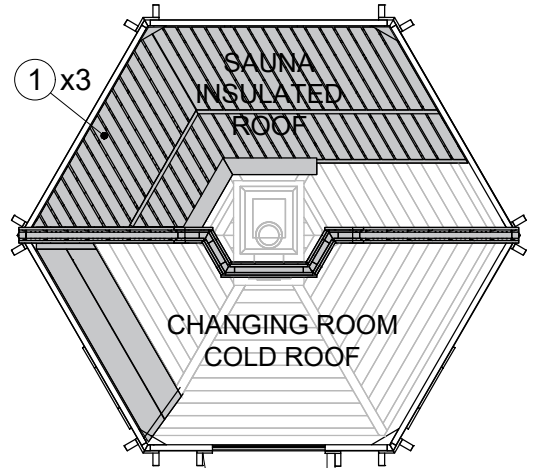
GR9.2-Stog-2022X2147
COLD ROOF



③ x1

GR9.2-StogD-2022X2147
COLD ROOF

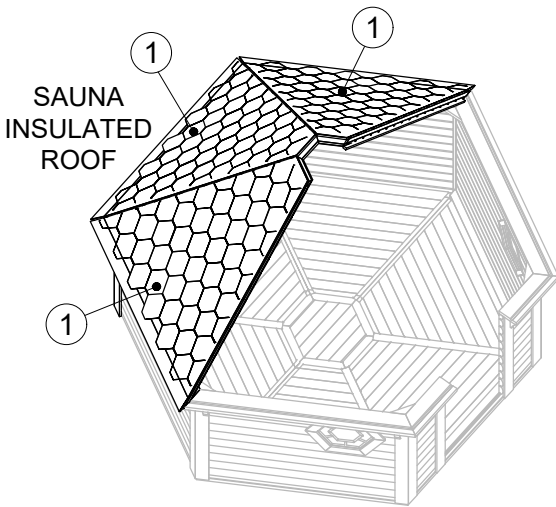
④ x78
T-GC-5x80



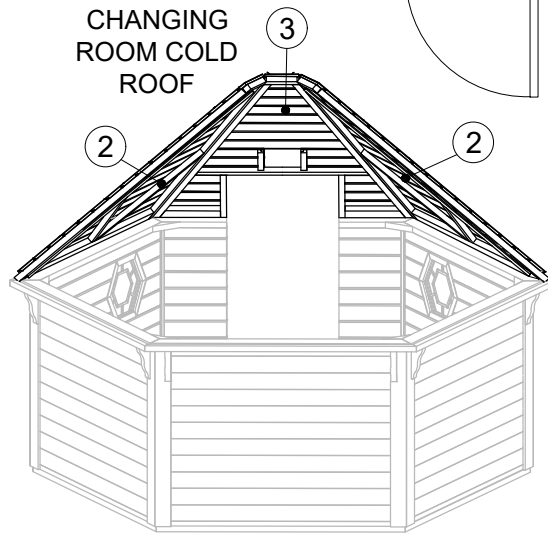
① x3

SAUNA
INSULATED
ROOF

CHANGING ROOM
COLD ROOF



SAUNA
INSULATED
ROOF



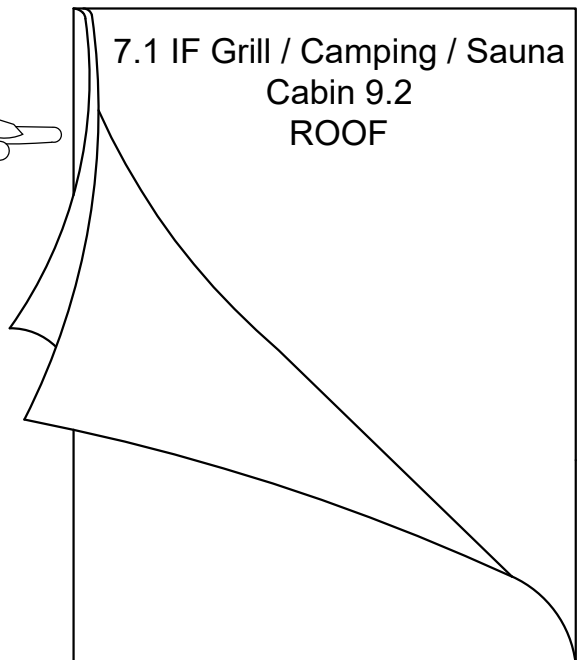
CHANGING
ROOM COLD
ROOF

③

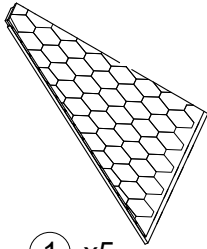
②

②

7.1 IF Grill / Camping / Sauna
Cabin 9.2
ROOF

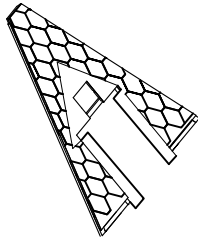


7.1 Grill / Camping Cabin 9.2 ROOF



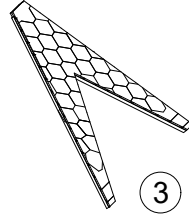
① x5

GR9.2-Stog-2022X2147
or
GR9.2-I-Stog-2022X2147



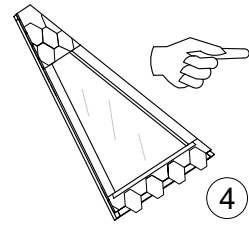
② x1

GR9.2-StogD-2022X2147
or
GR9.2-I-StogD-2022X2147



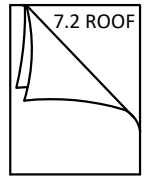
③

GR9.2-StogEX-2022X2147
or
GR9.2-I-StogEX-2022X2147



④

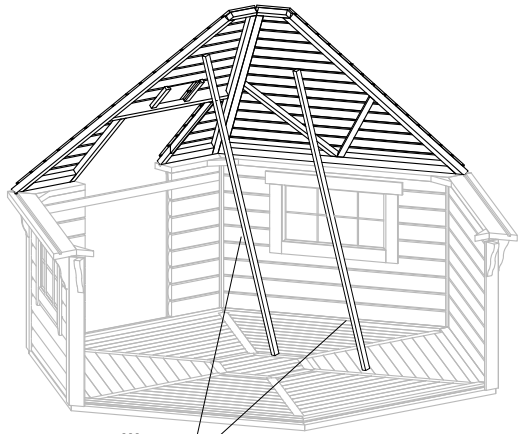
GR9.2-StogL-2022X2147
or
GR9.2-I-StogL-2022X2147



⑤ x78

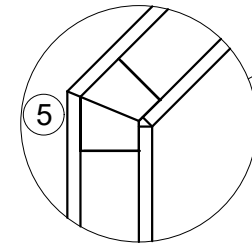
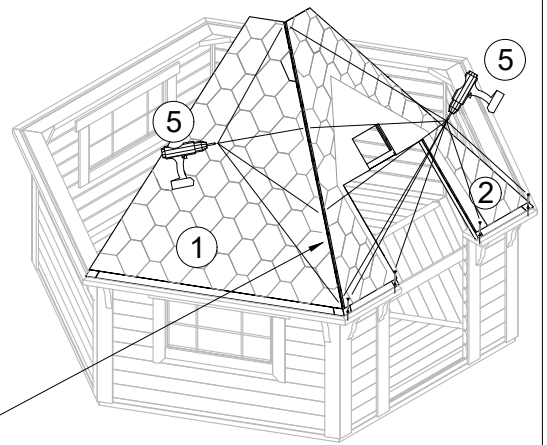
T-GC-5x80

1 Step

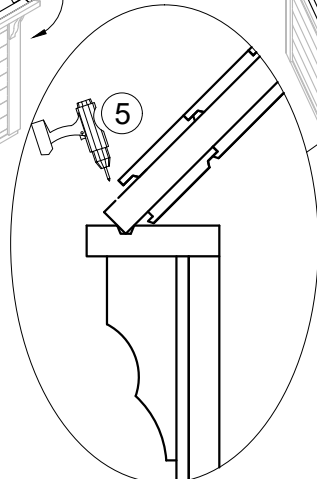
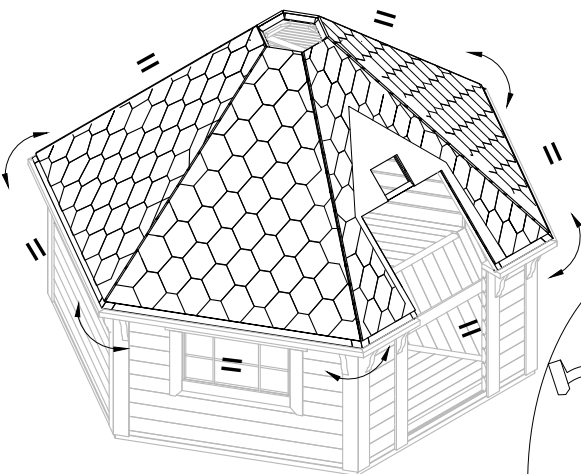


support pillars

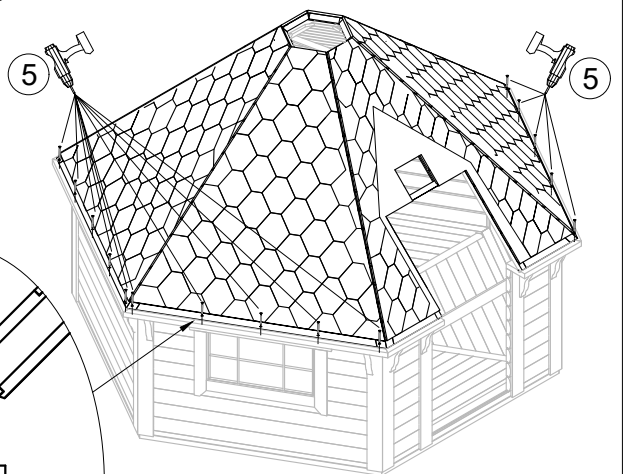
2 Step



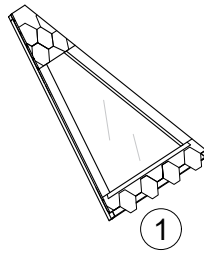
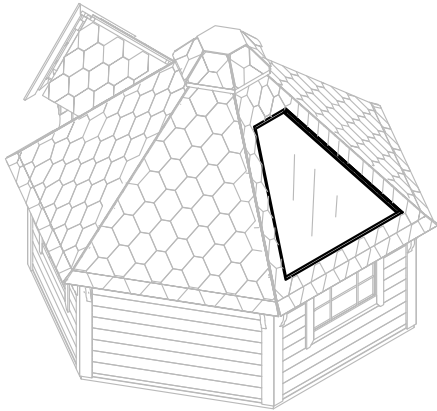
3 Step



4 Step



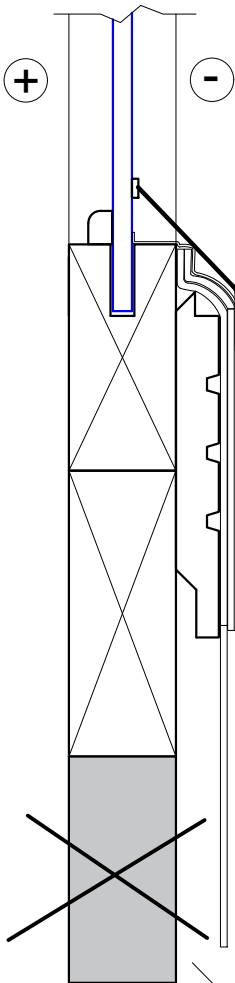
~~7.2 Grill / Camping / Sauna Cabin 9.2~~
~~ROOF~~



GR9.2-StogL-2022X2147
or
GR9.2-I-StogL-2022X2147

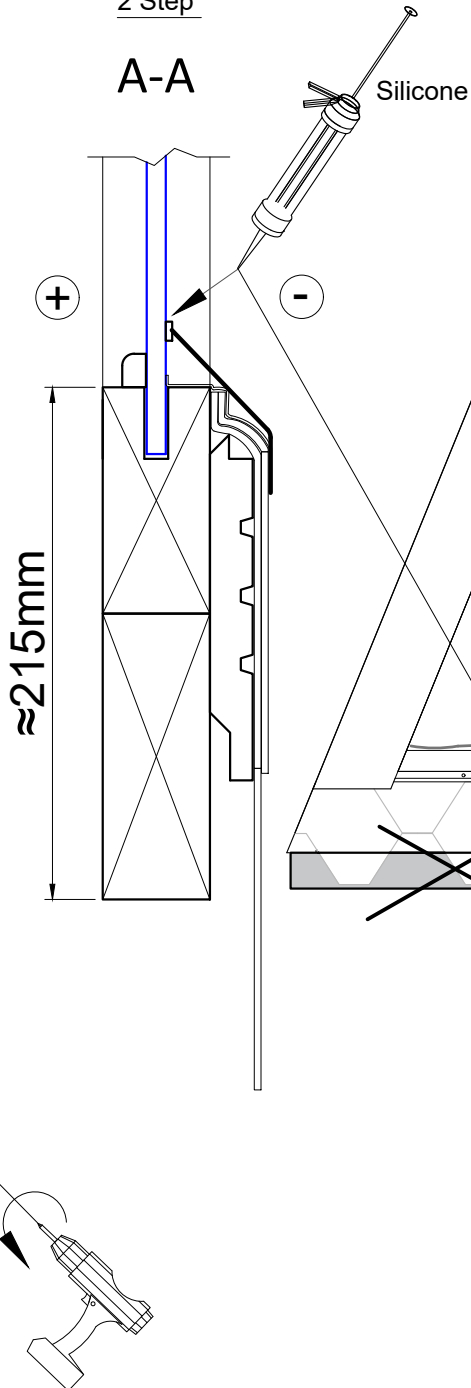
1 Step

A-A



2 Step

A-A



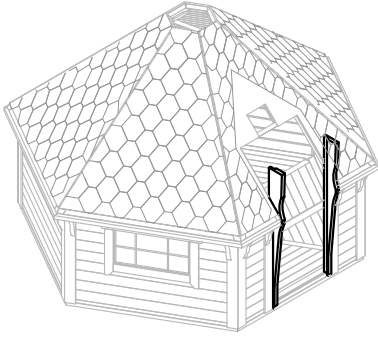
Silicone

≈215mm

A

A

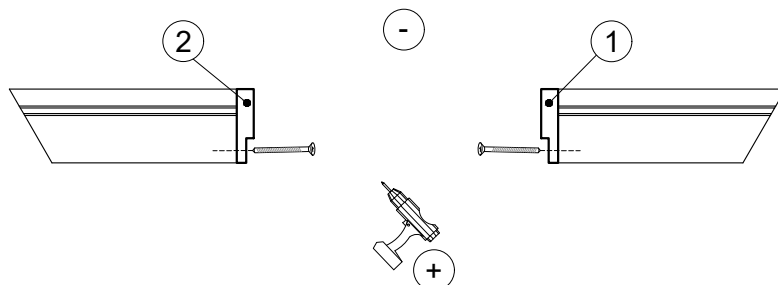
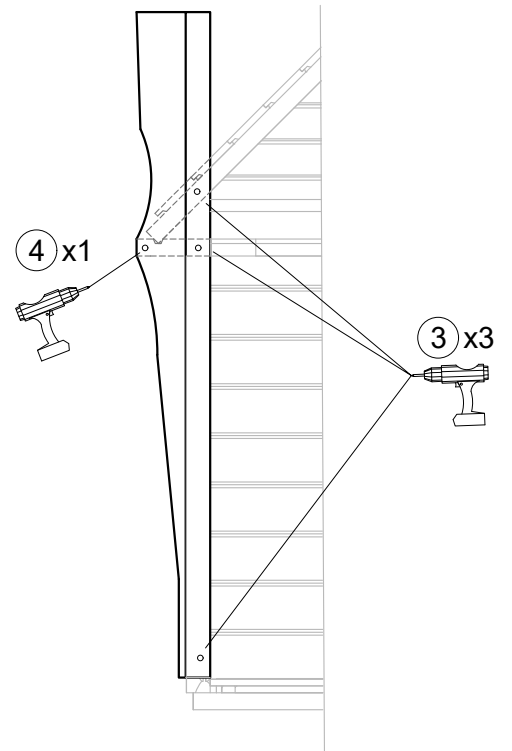
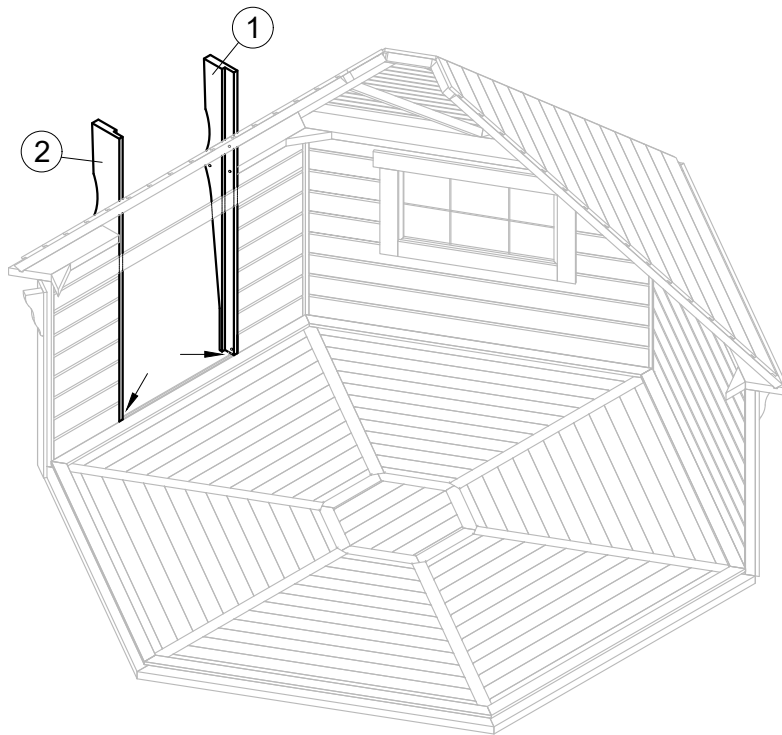
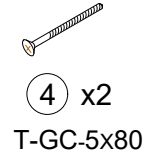
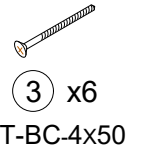
8. Grill / Camping / Sauna Cabin 9.2 ENTRANCE SUPPORT



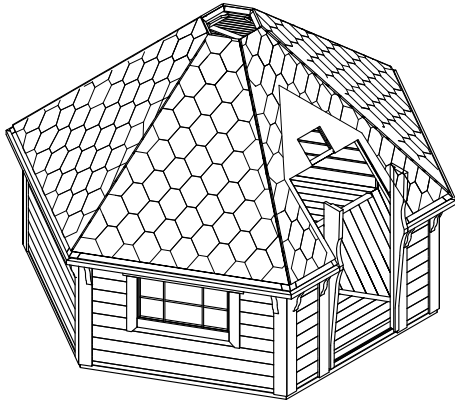
M-45x195x1630-A850-CNC(k)
or
M-45x195x1760-A850-CNC(k)
or
M-45x195x1890A-850-CNC(k)



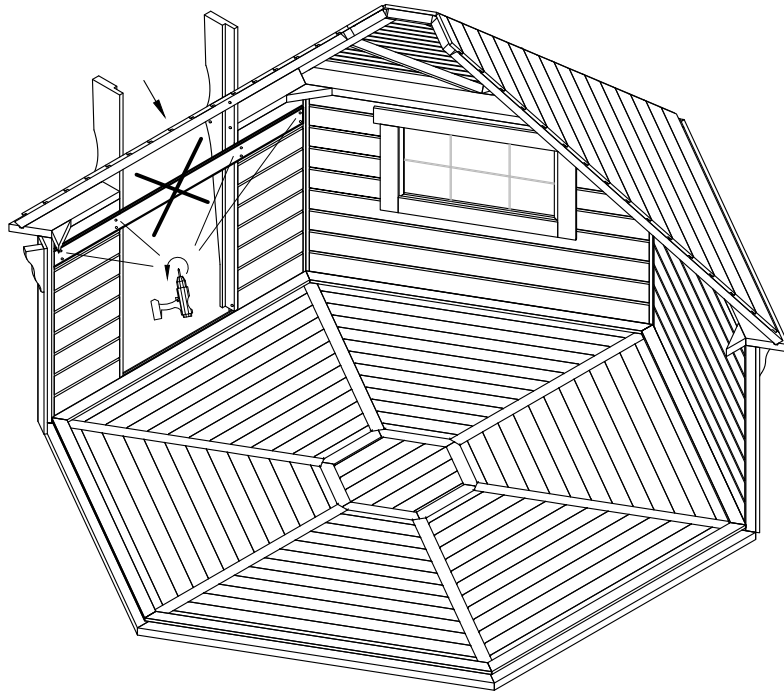
M-45x195x1630-A850-CNC(d)
or
M-45x195x1760-A850-CNC(d)
or
M-45x195x1890-A850-CNC(d)



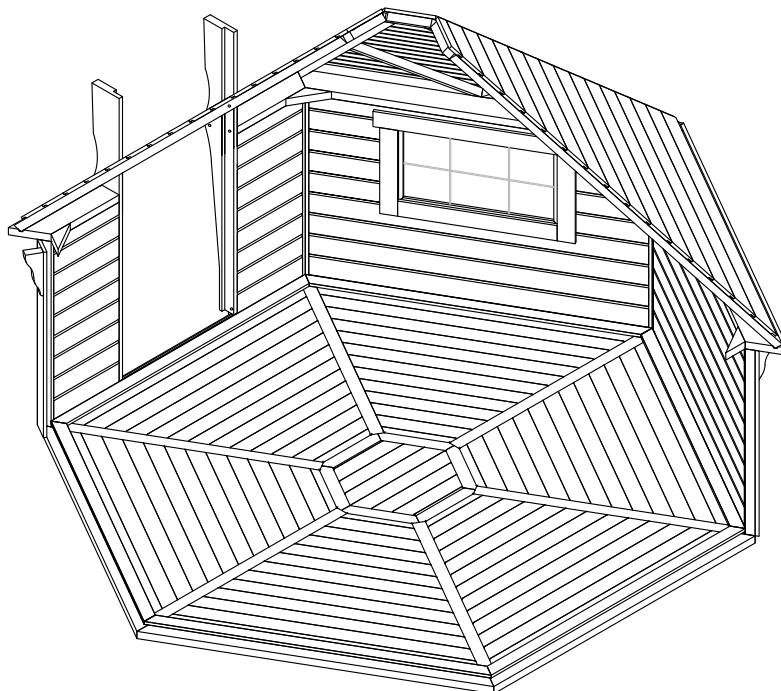
8.1 Grill / Camping / Sauna Cabin 9.2



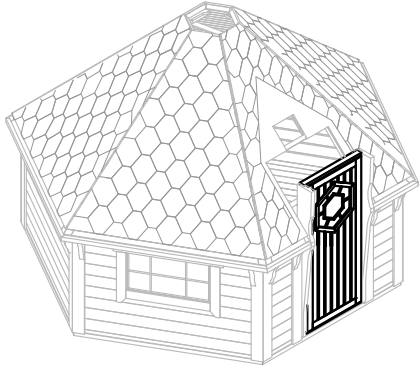
1 Step



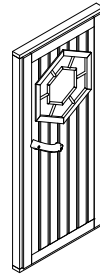
2 Step

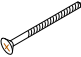


9. Grill / Camping / Sauna Cabin 9.2 OUTSIDE DOOR

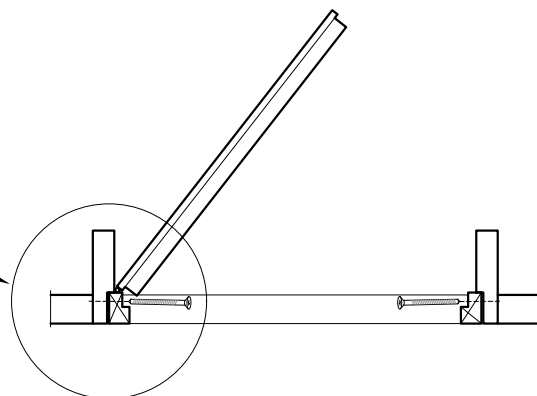
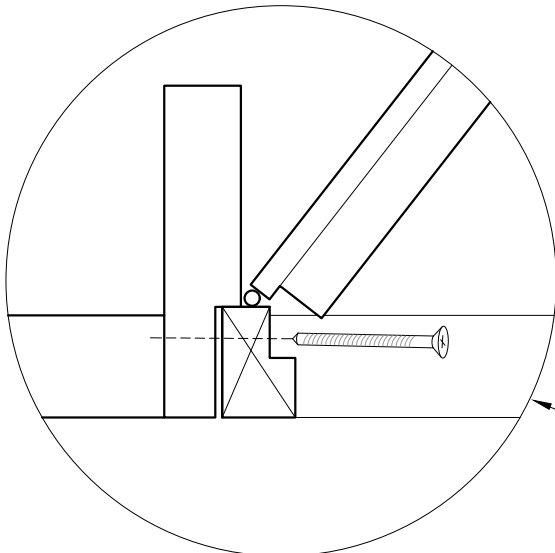
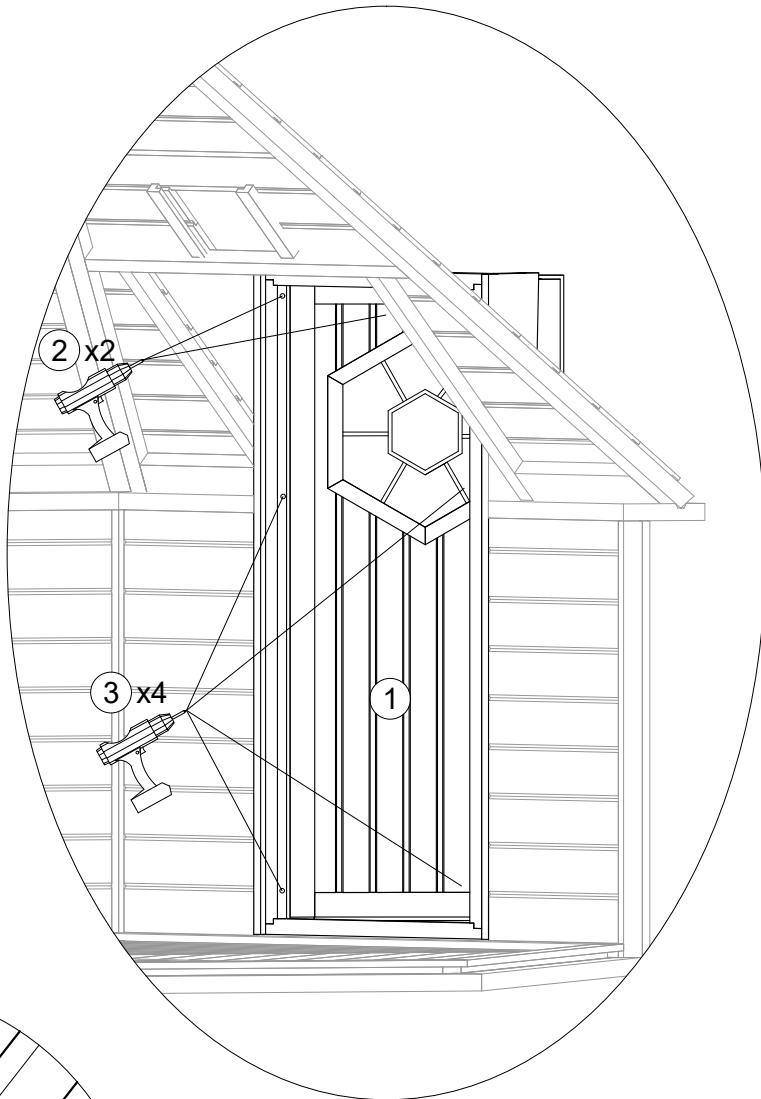


① x1
PUS00013
or
PUS00060
or
PUS00317



 x2
T-BC-4x50

 x4
T-GC-5x100

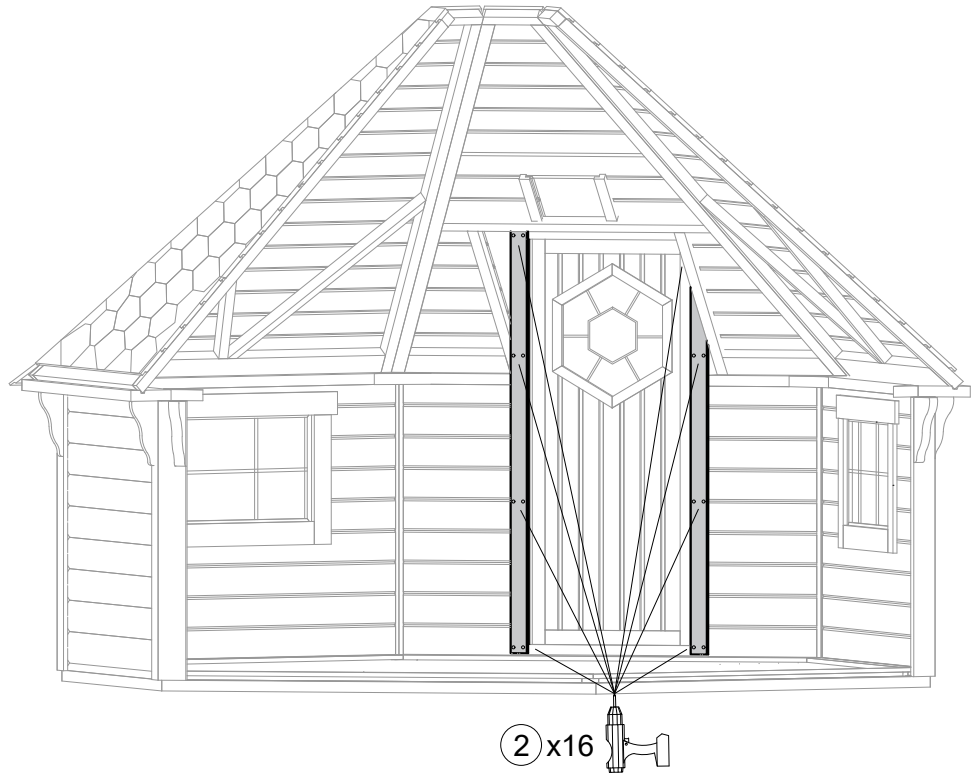
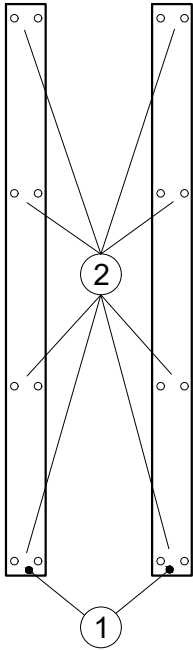


9.1 Grill / Camping / Sauna Cabin 9.2 INSIDE FINISHING BOARD

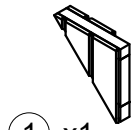
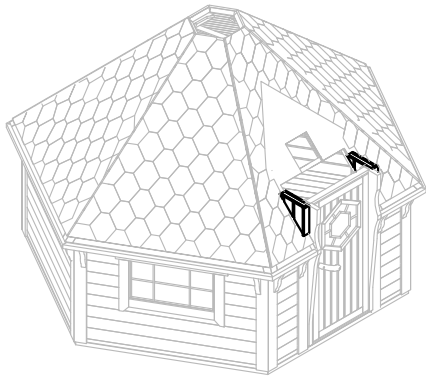
① x2
M-18x70x1624
or
M-18x70x1754
or
M-18x70x1884



② x16
T-GC-3.5x45



10. Grill / Camping / Sauna Cabin 9.2 ENTRANCE ASSEMBLY



① x1

GR-trikamp-313x331-(k)



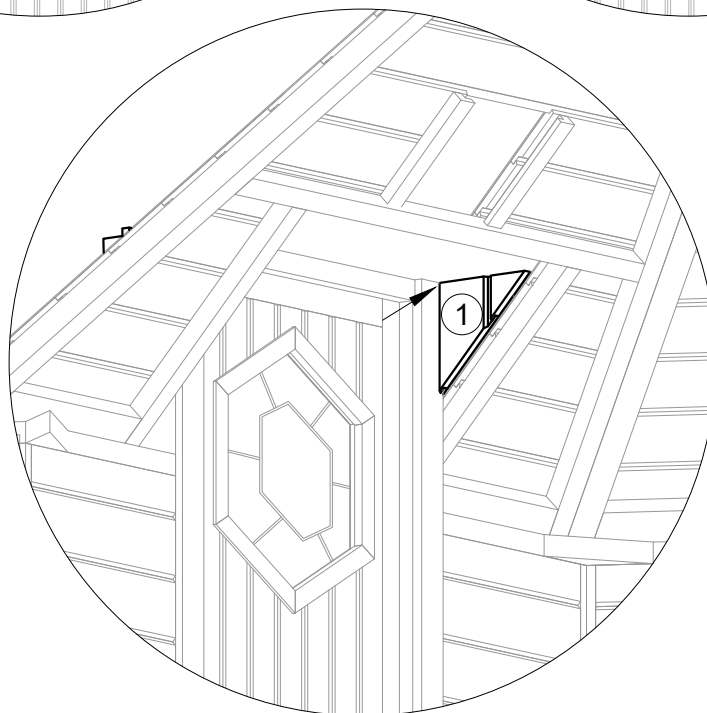
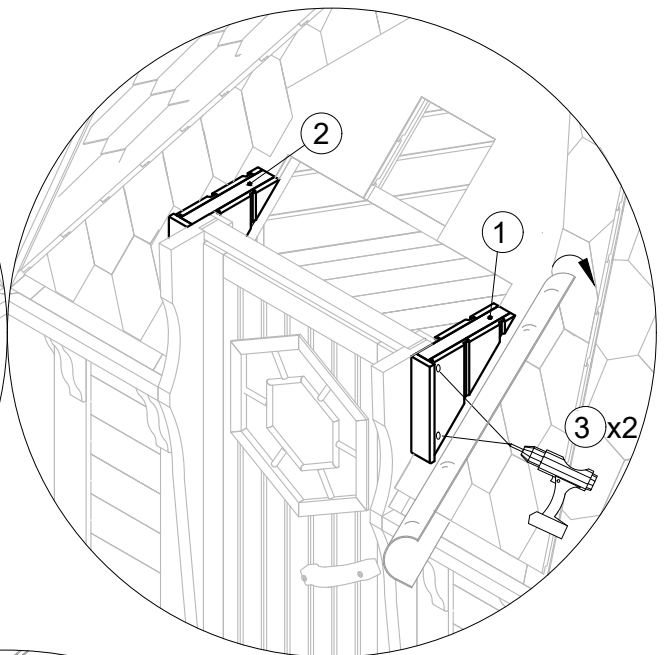
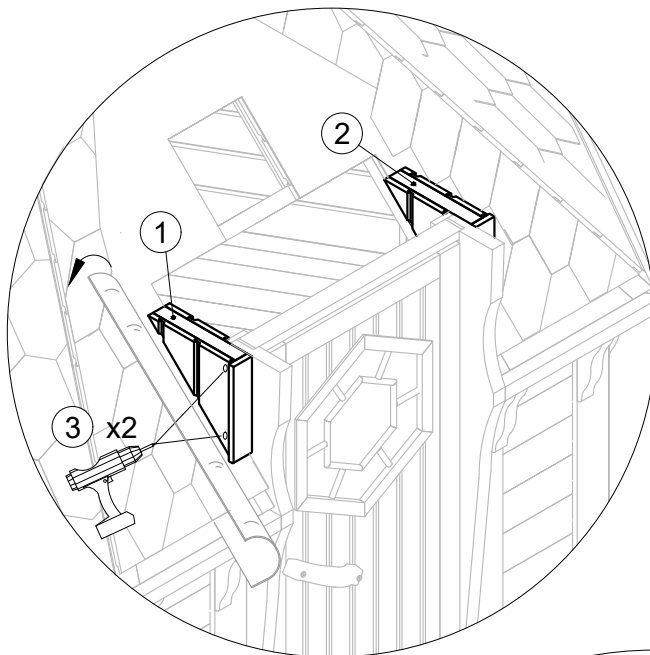
② x1

GR-trikamp-313x331-(d)

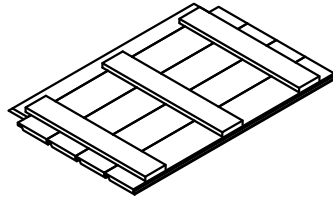
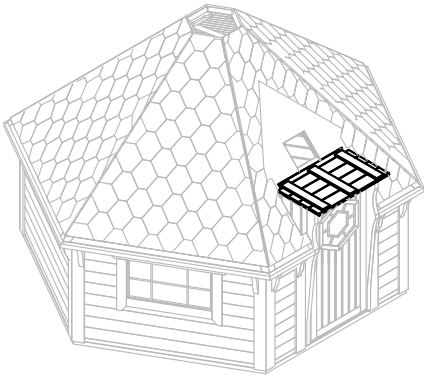


③ x4

T-GC-5x100



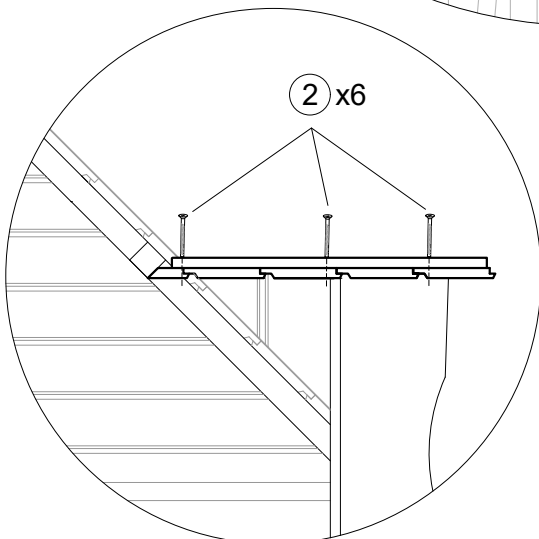
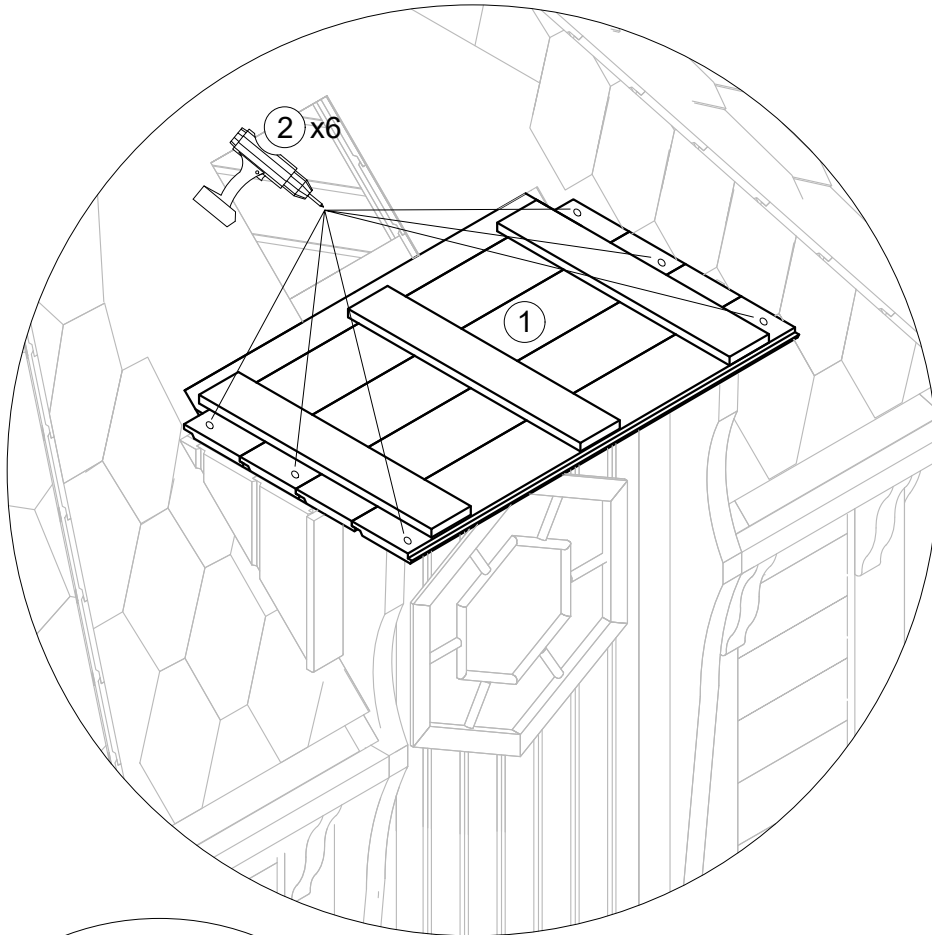
10.1 Grill / Camping / Sauna Cabin 9.2 ENTRANCE ASSEMBLY



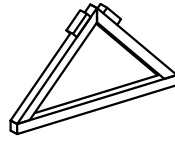
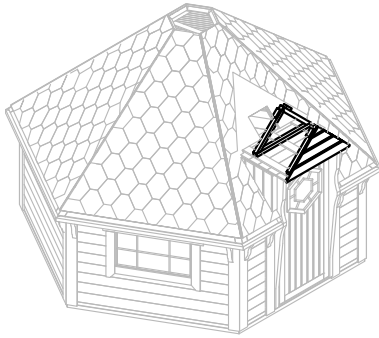
① x1
GR-lubos-636x939



② x6
T-GC-4x70

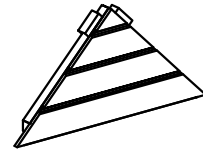


10.2 Grill / Camping / Sauna Cabin 9.2 ENTRANCE ASSEMBLY



① x1

GR-Stog-trik-453x815



② x1

GR-Pr-trik-491x981



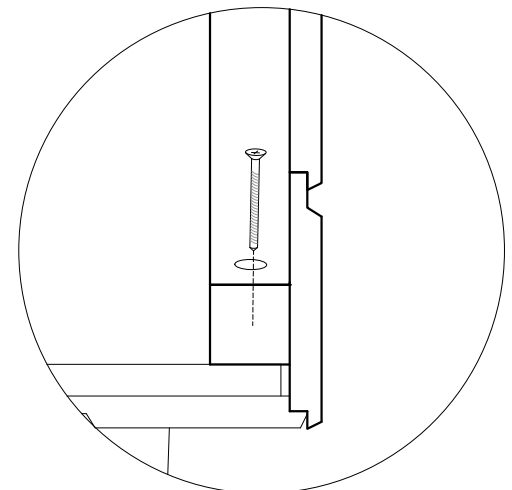
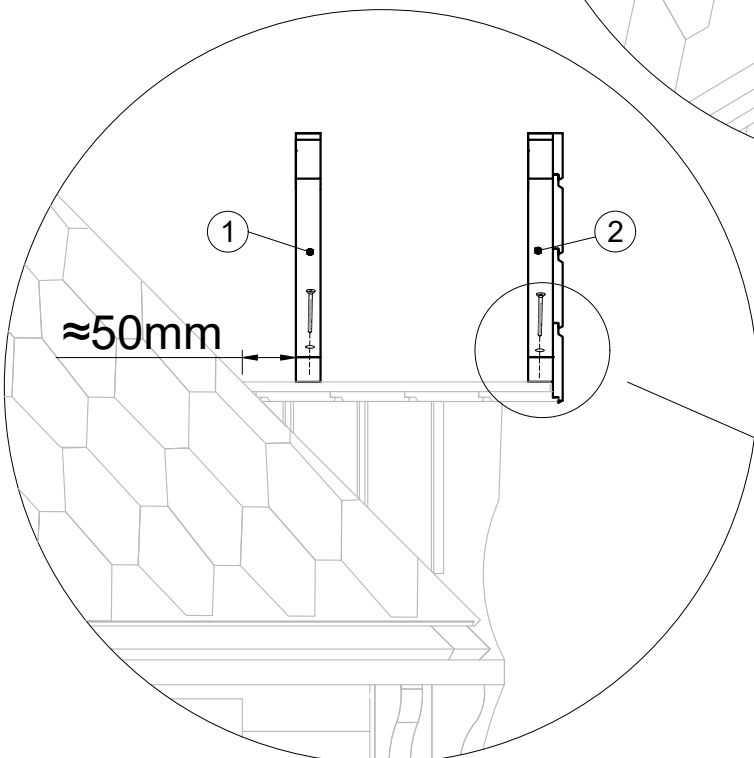
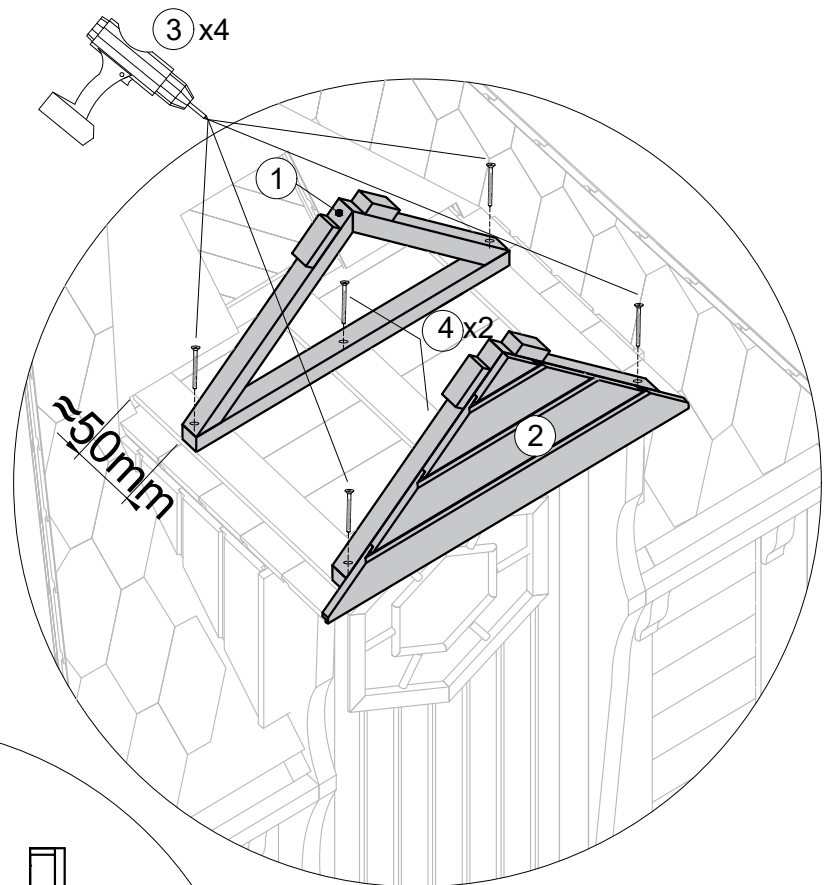
③ x4

T-GC-5x100

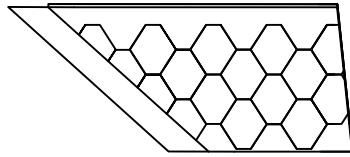
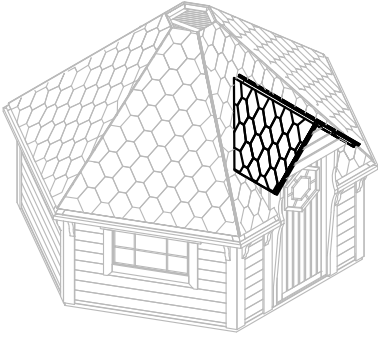


④ x2

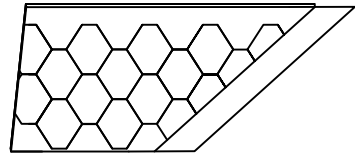
T-GC-4x70



10.3 Grill / Camping / Sauna Cabin 9.2 ENTRANCE ASSEMBLY



① x1
GR-Stog-845x1090-(k)

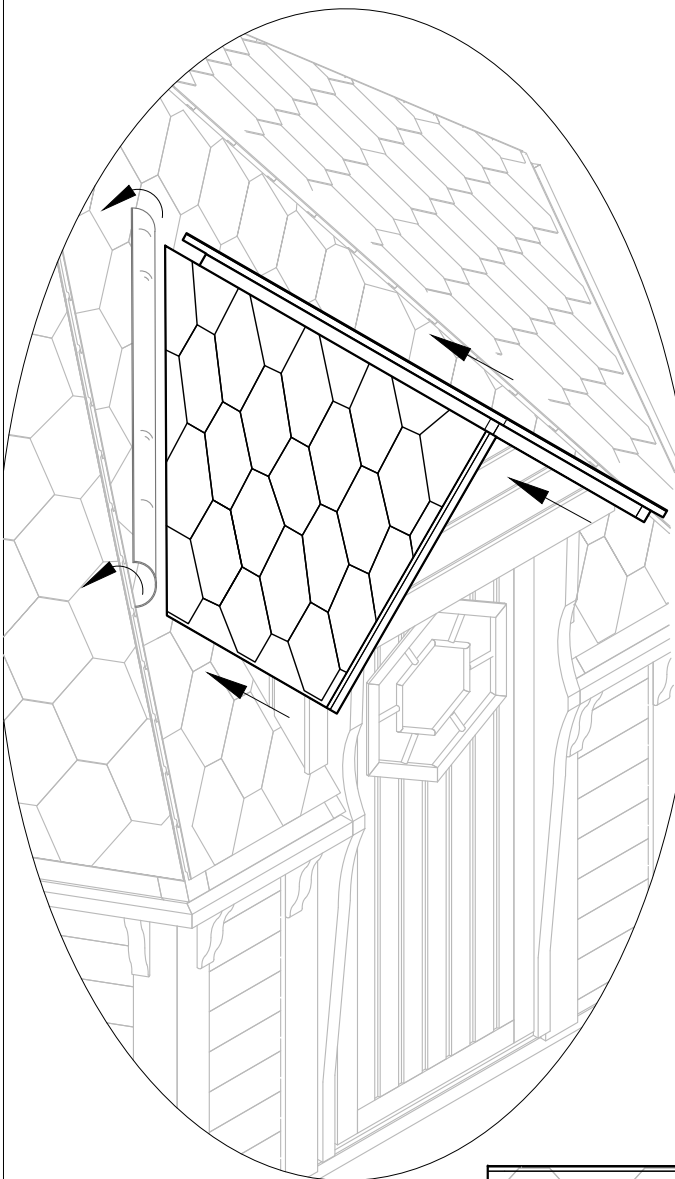


② x1
GR-Stog-845x1090-(d)

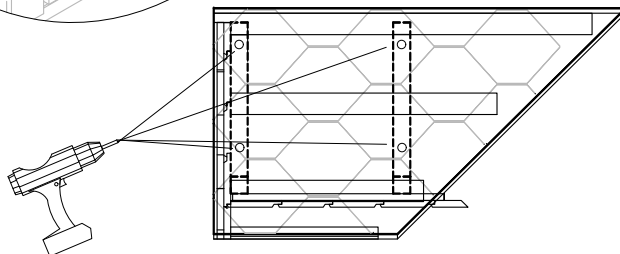
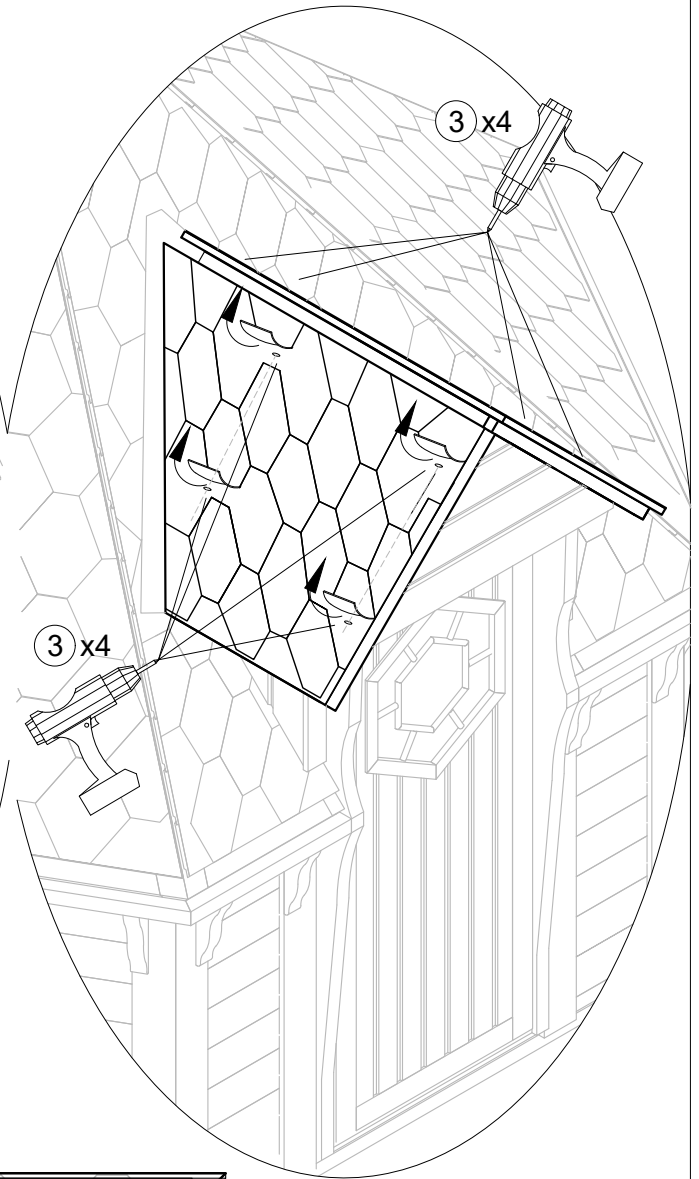


③ x8
T-GC-5x80

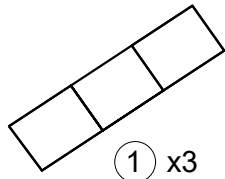
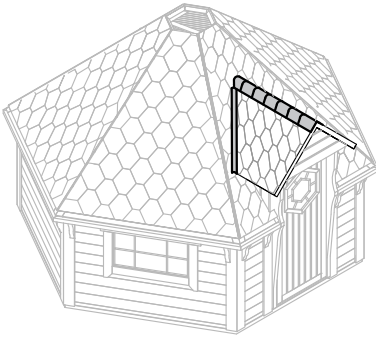
1 Step



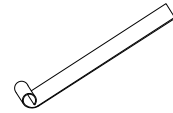
2 Step



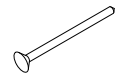
10.4 Grill / Camping / Sauna Cabin 9.2 ENTRANCE ASSEMBLY



Bituminės-
cerpes-3x250x1000

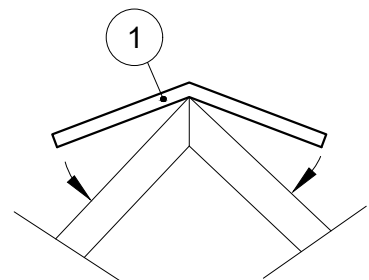
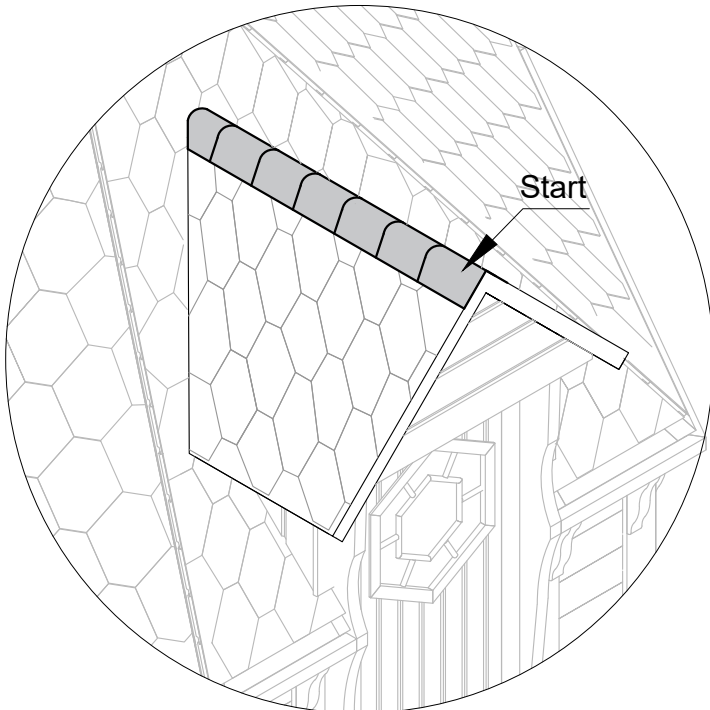


Bitumine-
juosta-3x70x1360

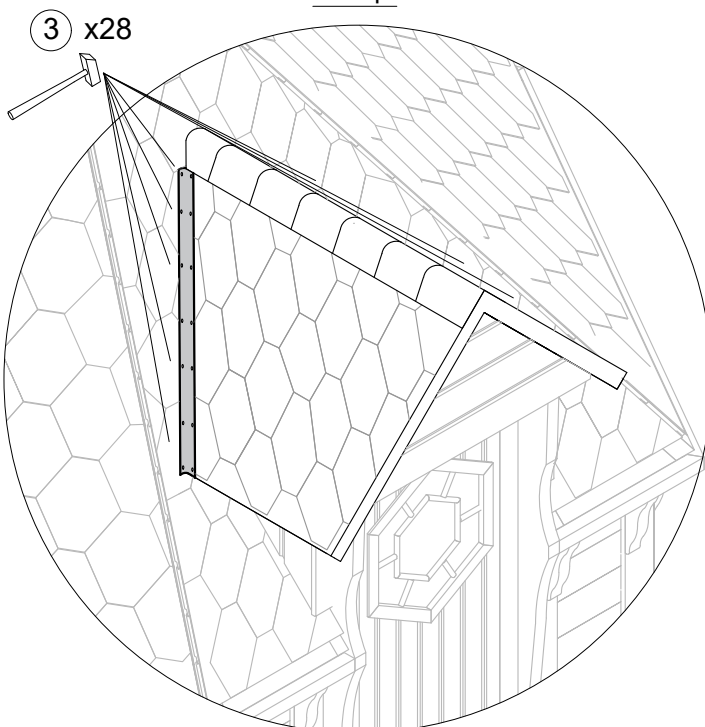


T-V-2x20

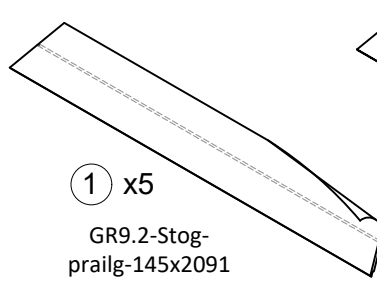
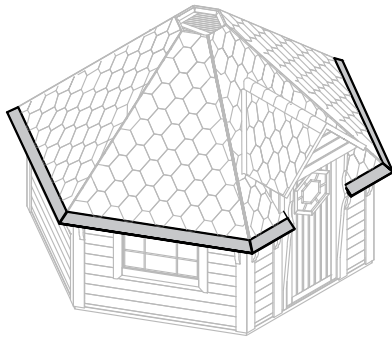
1 Step



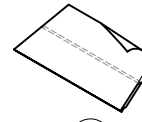
2 Step



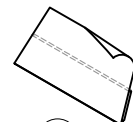
11. Grill / Camping / Sauna Cabin 9.2 ROOF FINISHING



① x5
GR9.2-Stog-
prailg-145x2091



② x1
GR9.2-Stog-
prailg-145x613-(k)

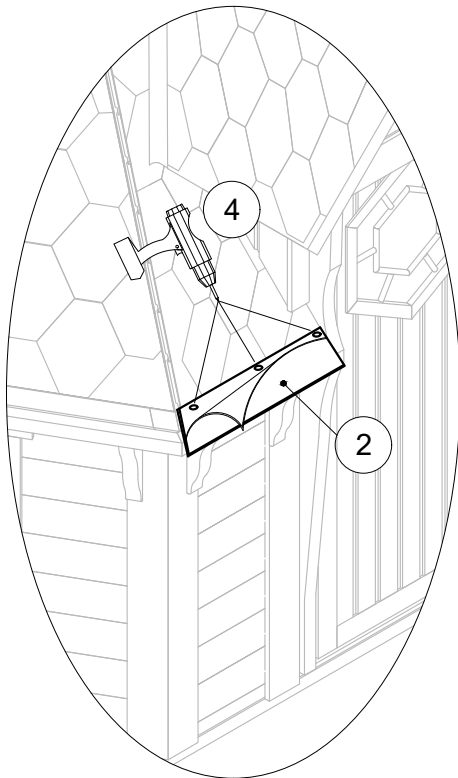


③ x1
GR9.2-Stog-
prailg-145x613-(d)

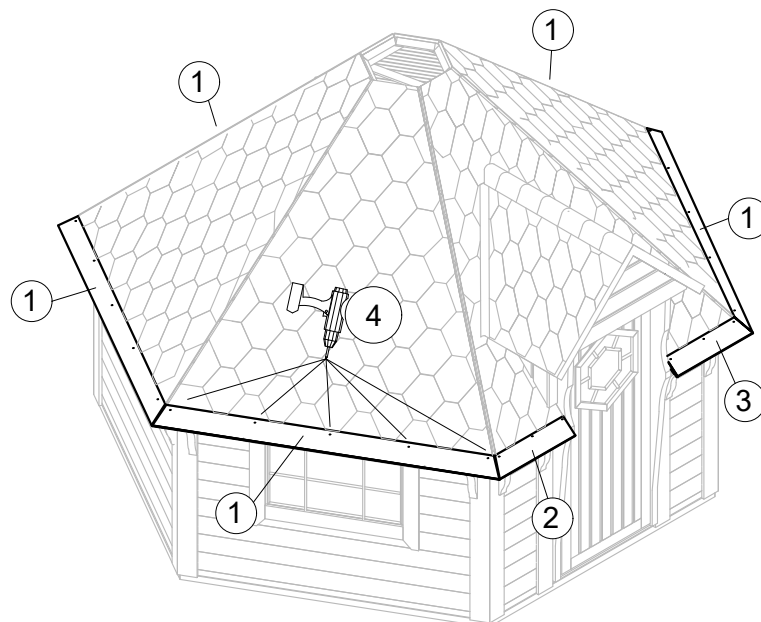
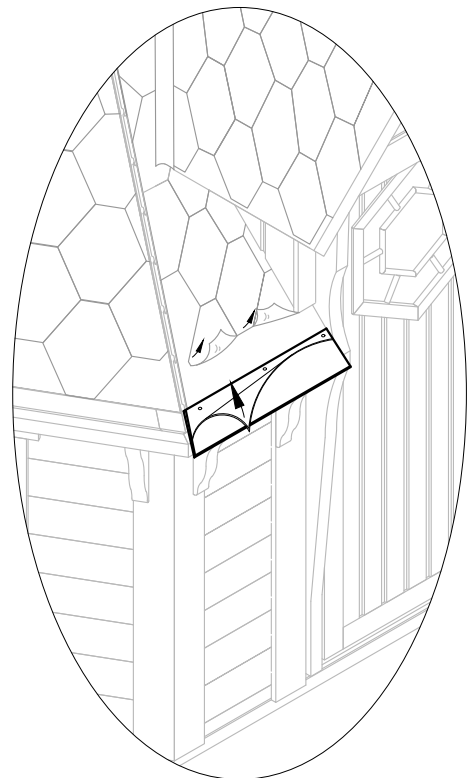
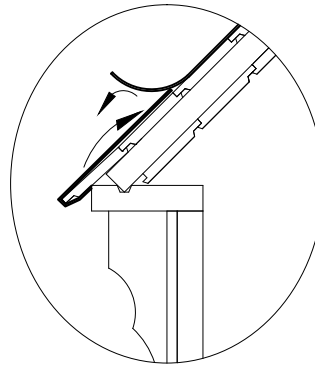
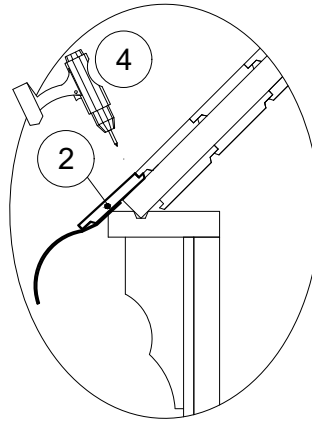


④ x31
T-BC-4x50

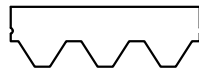
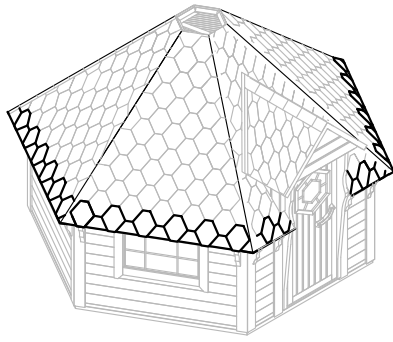
1 Step



2 Step

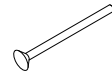


11.1 Grill / Camping / Sauna Cabin 9.2 ROOF FINISHING



① x13

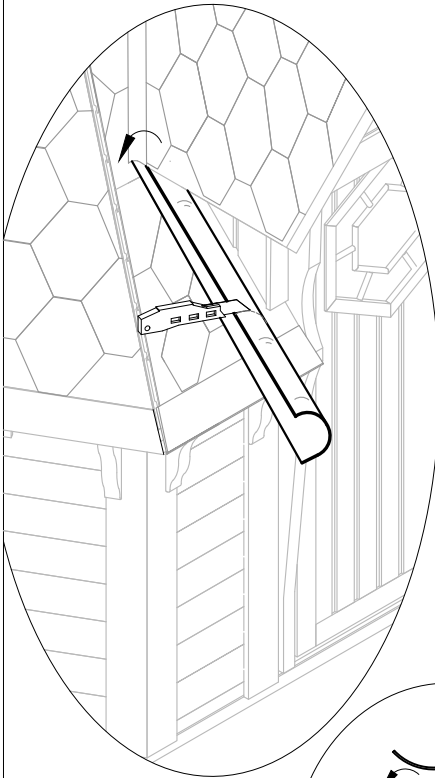
Bituminos-cerpes
-3x317x1000



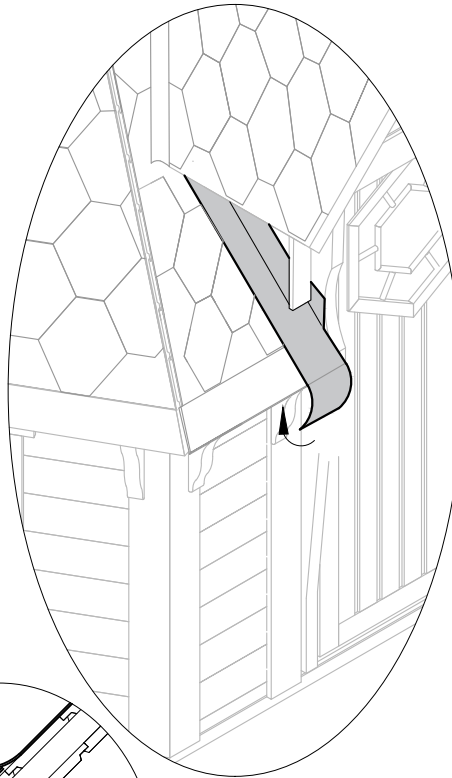
② x 150

T-V-2x20

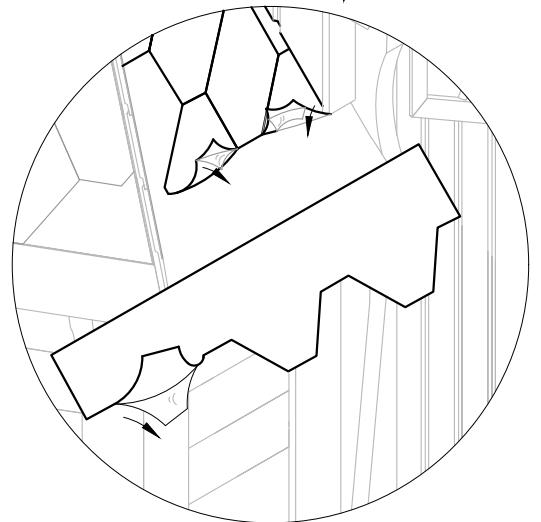
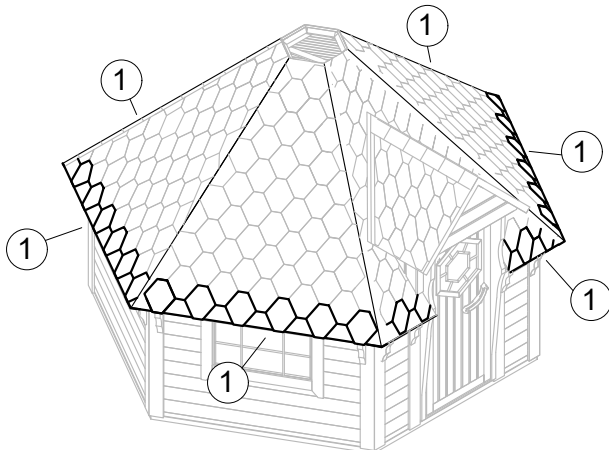
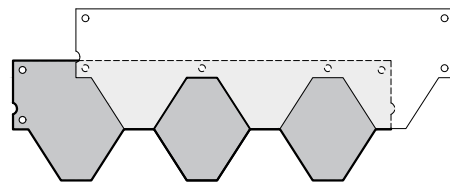
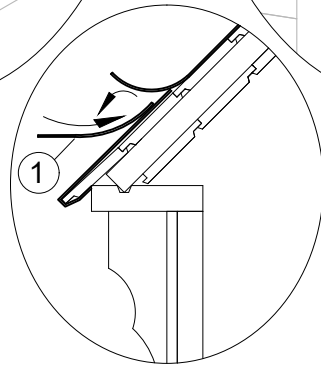
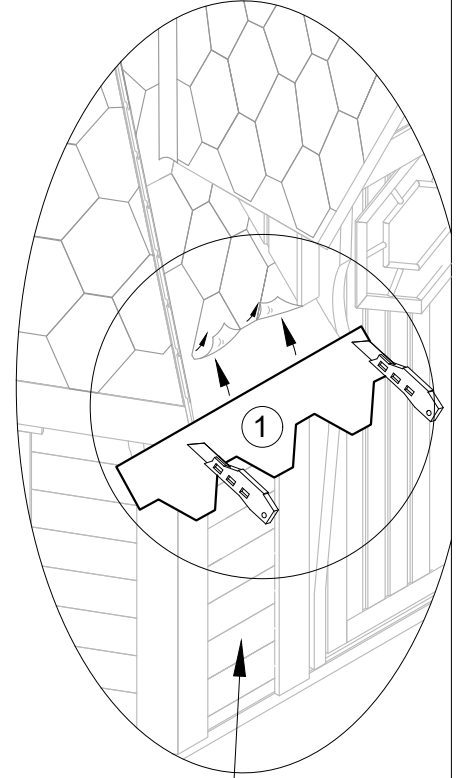
1 Step



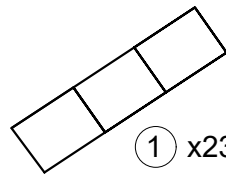
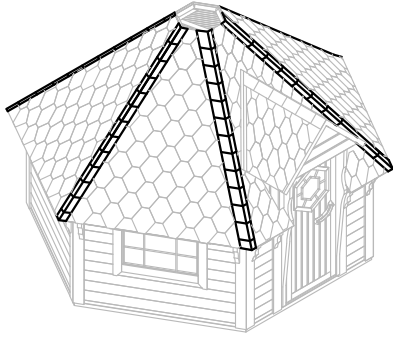
2 Step



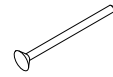
3 Step



11.2 Grill / Camping / Sauna Cabin 9.2 ROOF FINISHING

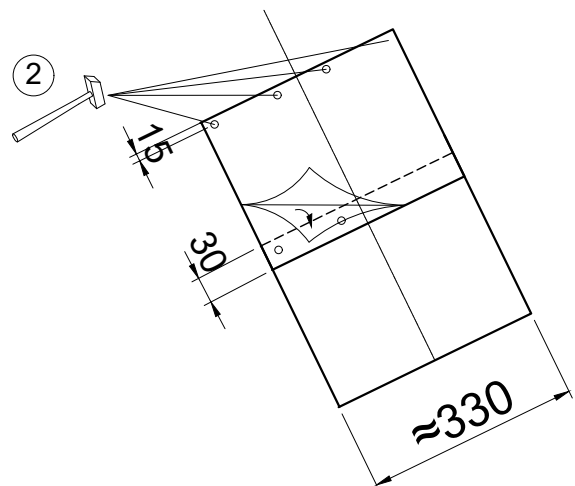
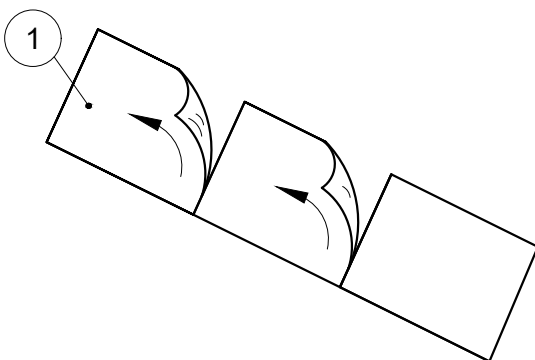
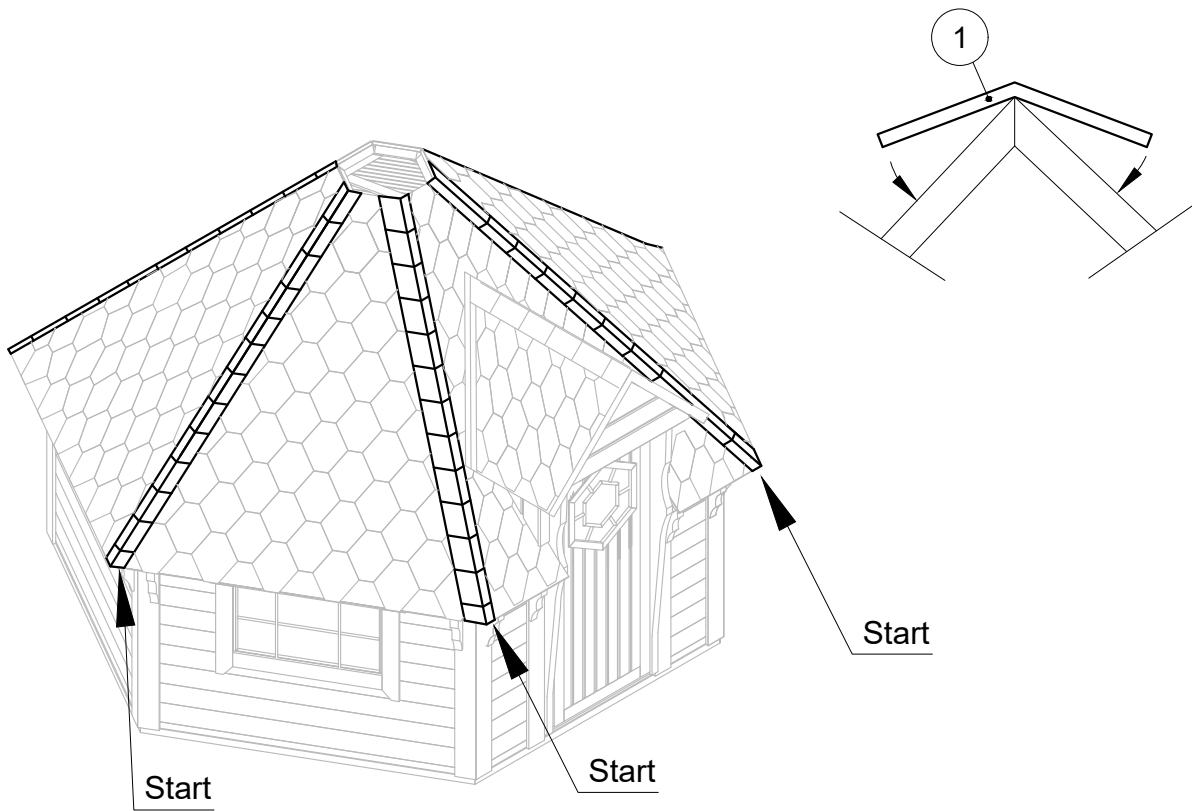


Bitumines-
cerpes-3x250x1000

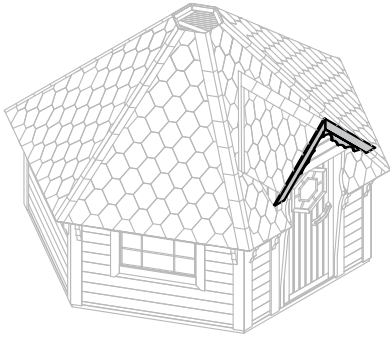


② x 340

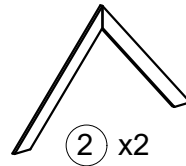
T-V-2x20



12. Grill / Camping / Sauna Cabin 9.2 OUTSIDE FINISHING BOARD



① x2
M-18x95x820-CNC

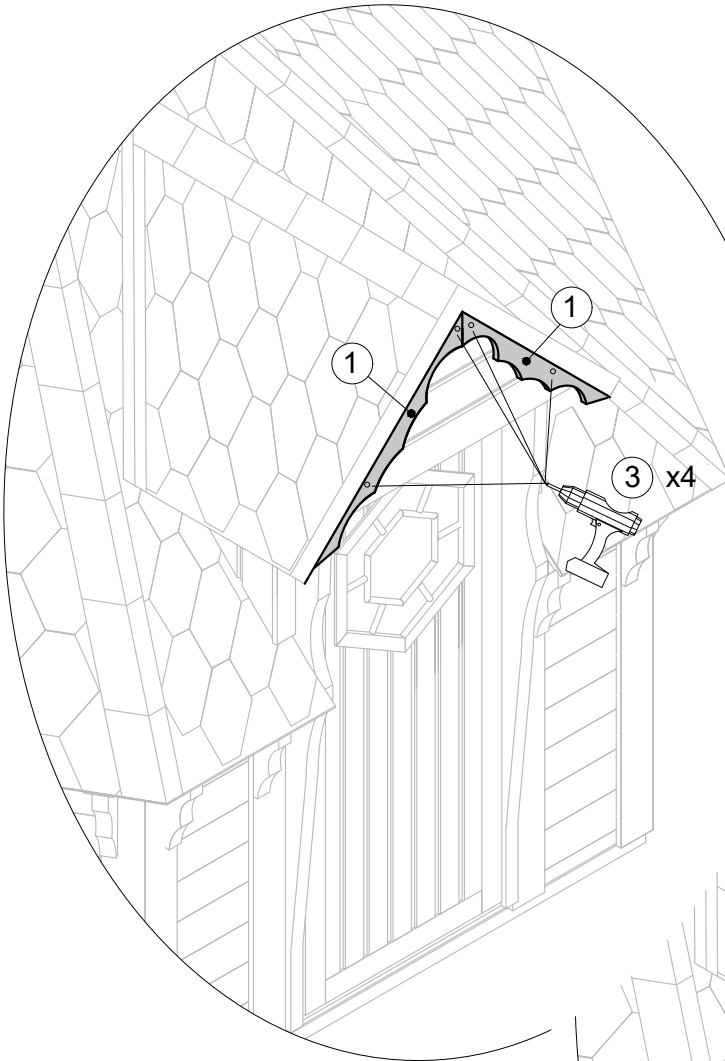


② x2
M-18x95x1050-F

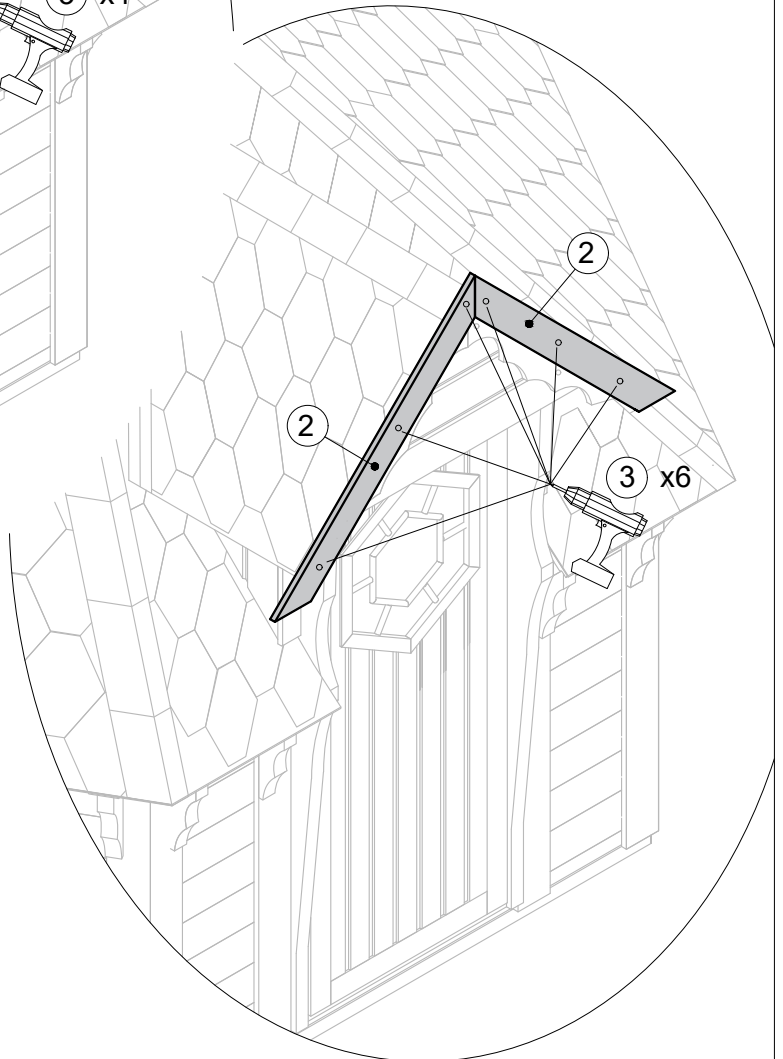


③ x10
T-GC-3.5x45

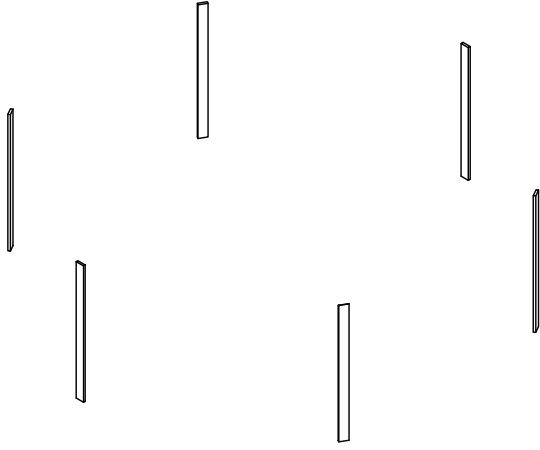
1 Step



2 Step



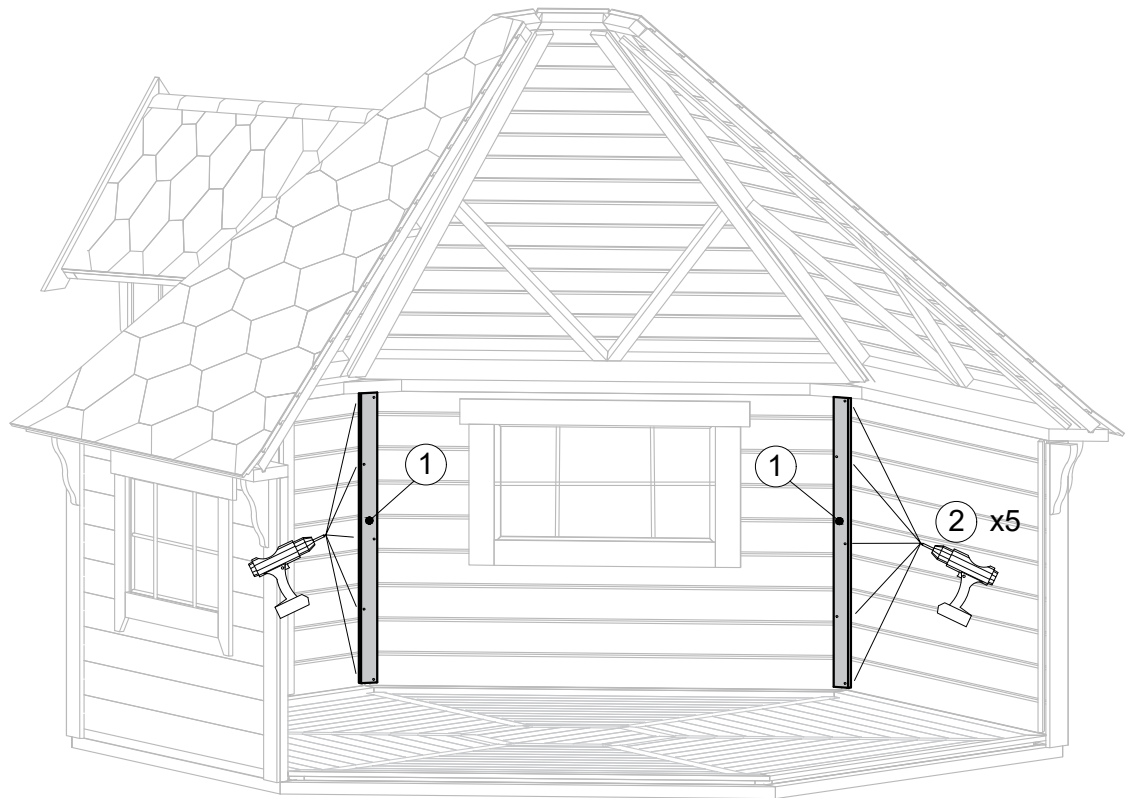
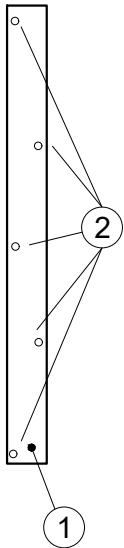
13. Grill / Camping / Sauna Cabin 9.2 INSIDE FINISHING BOARD



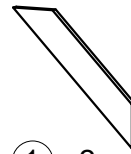
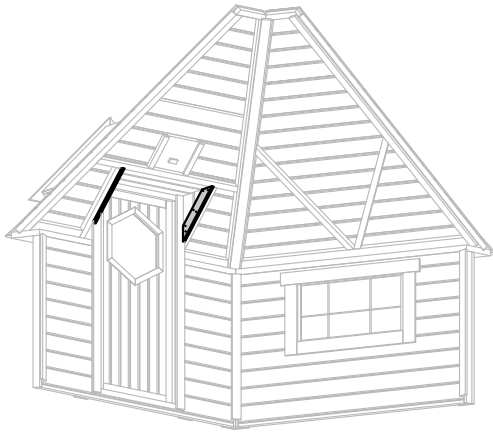
① x6
M-18x70x1105
or
M-18x70x1235
or
M-18x70x1365



② x36
T-GC-3.5x45



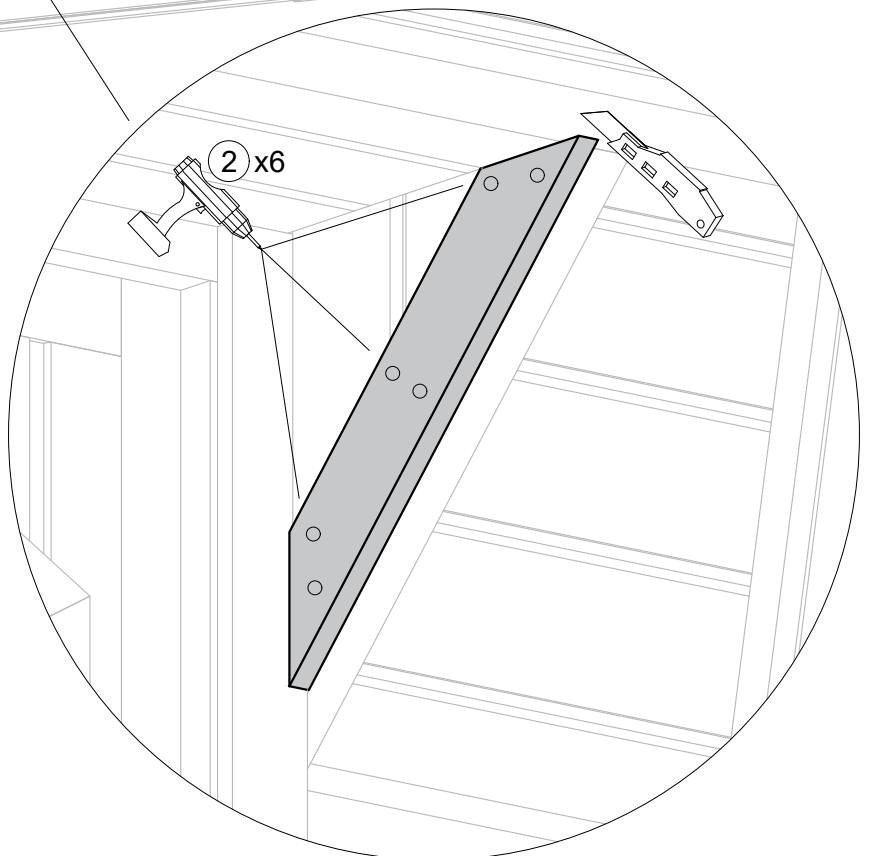
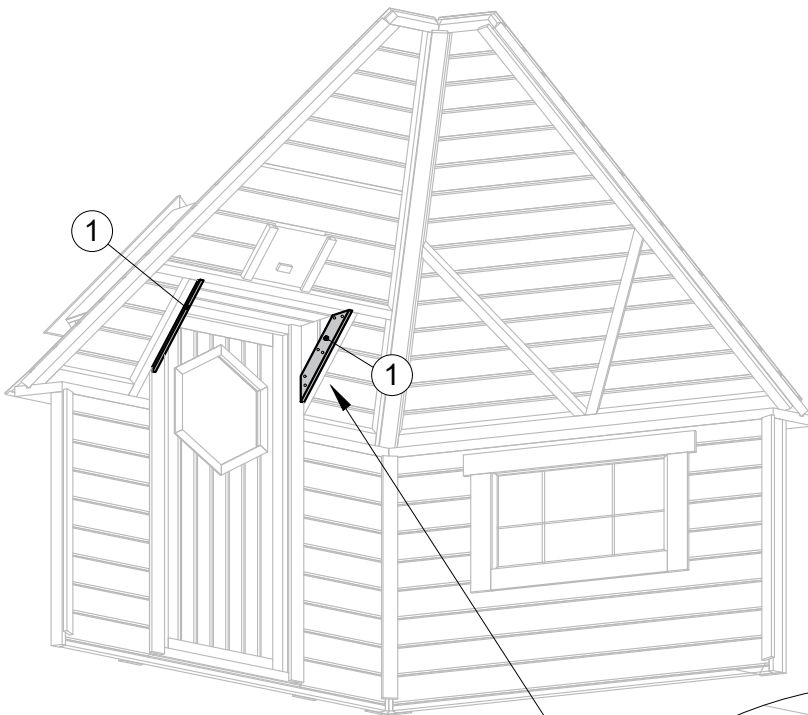
13.1 Grill / Camping / Sauna Cabin 9.2
INSIDE FINISHING BOARD



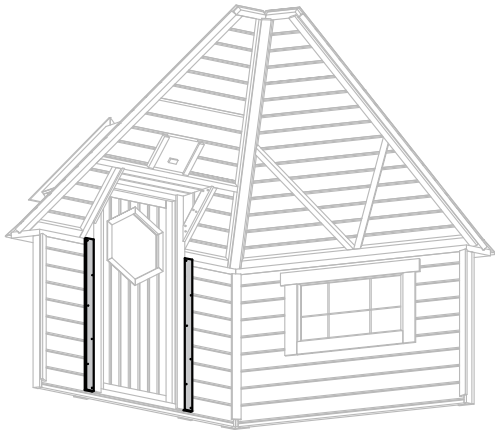
① x2
M-18x83x488-F



② x12
T-GC-3.5x45



13.2 Grill / Camping / Sauna Cabin 9.2 INSIDE FINISHING BOARD



① x2

M-18x70x1150

or

M-18x70x1280

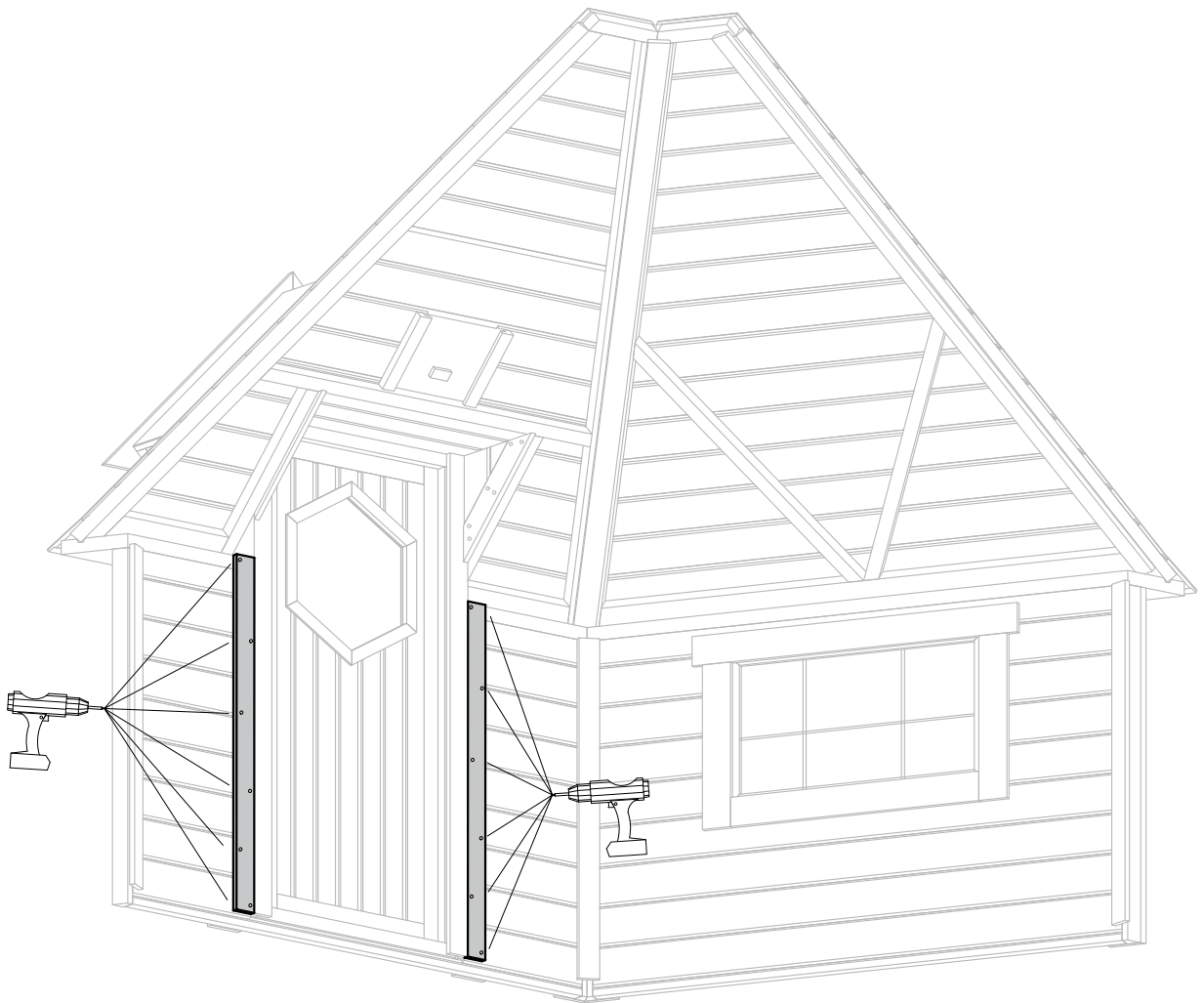
or

M-18x70x1410

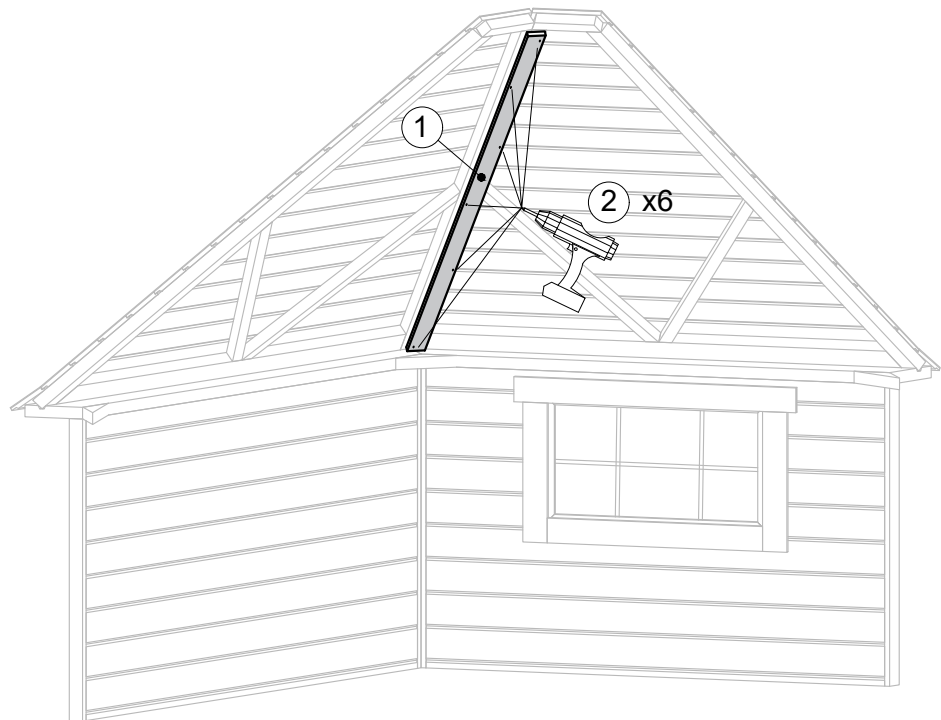
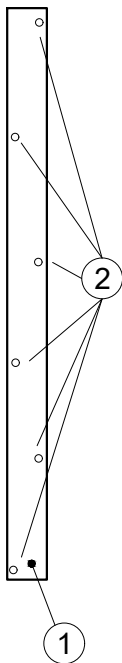
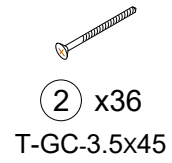
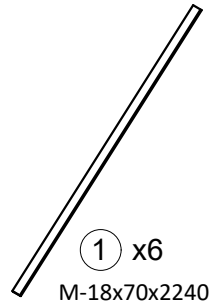
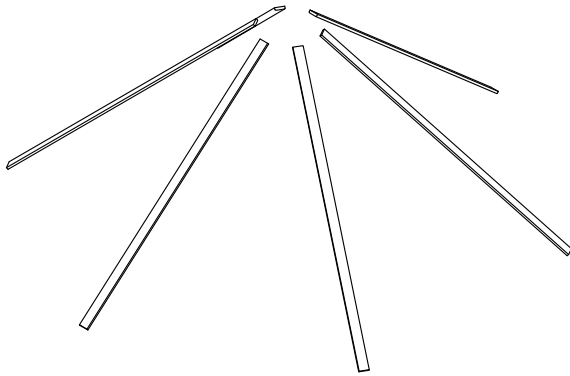


② x12

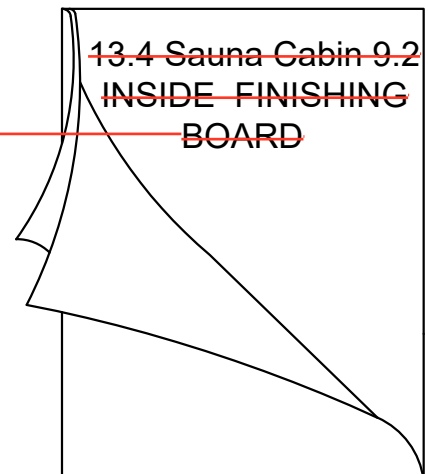
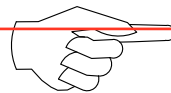
T-GC-3.5x45



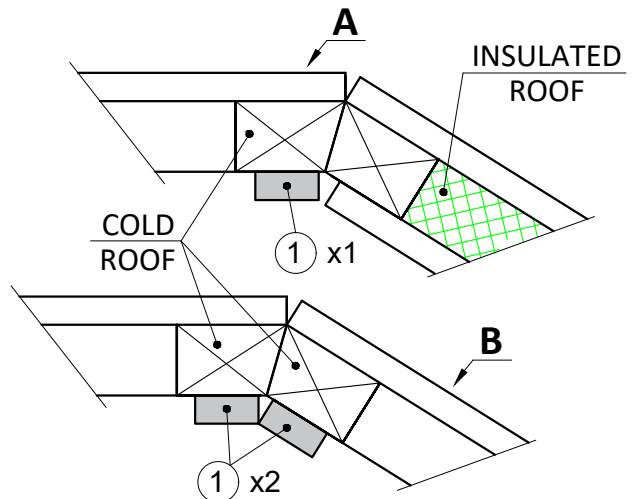
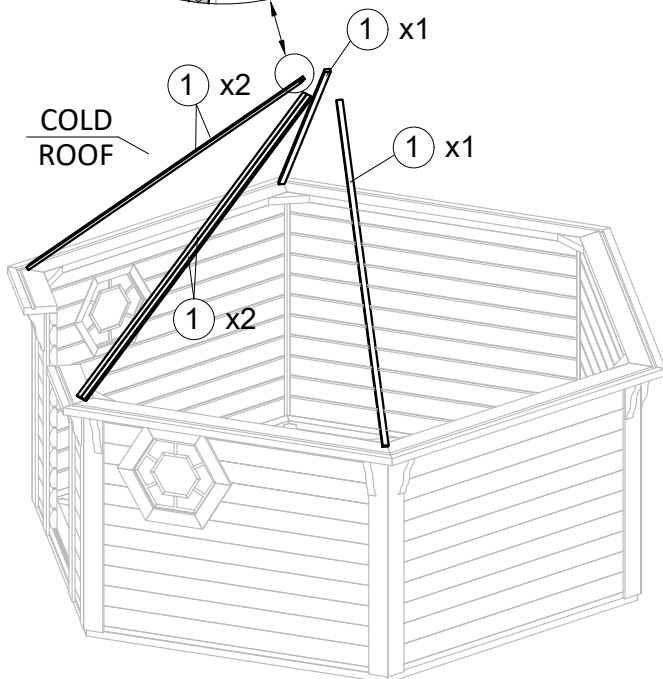
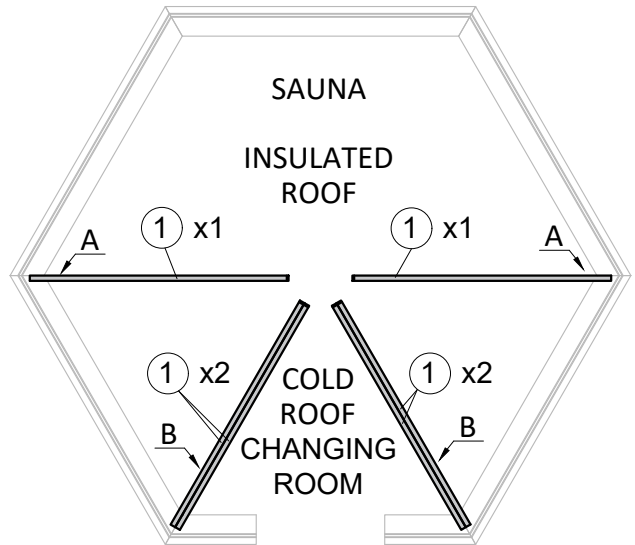
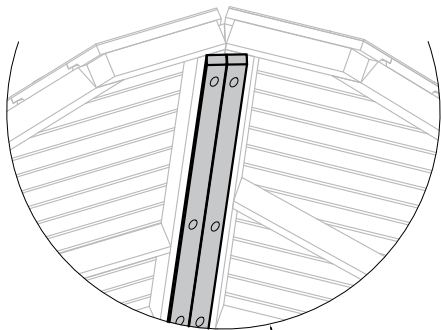
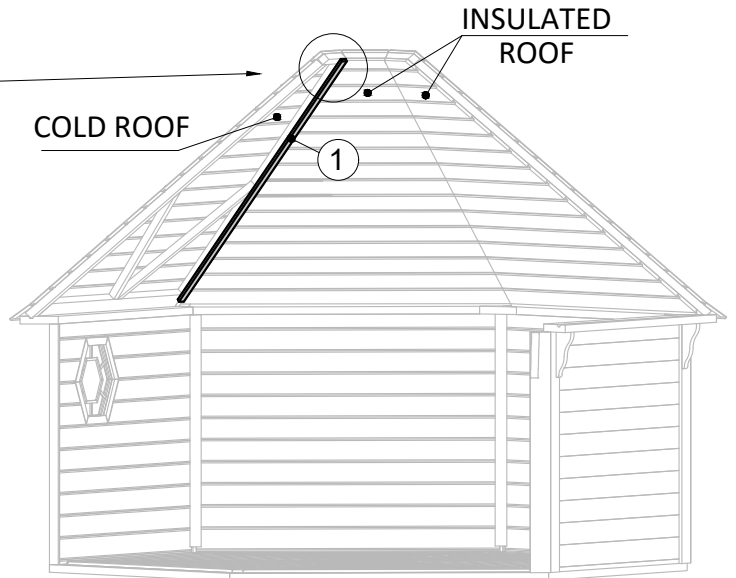
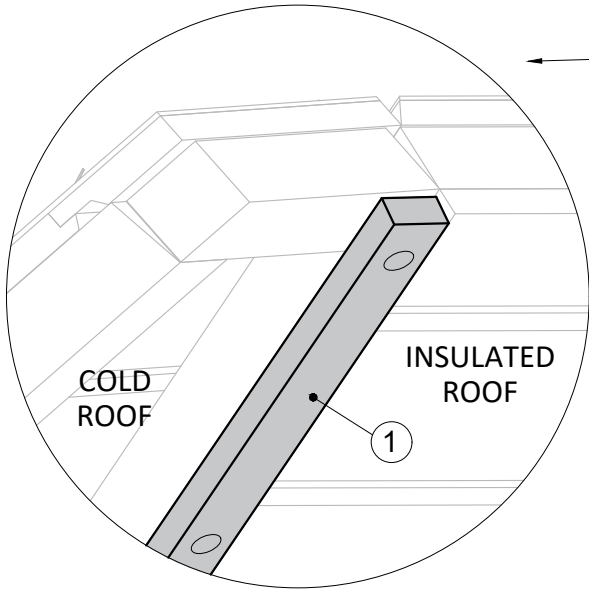
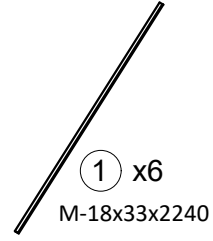
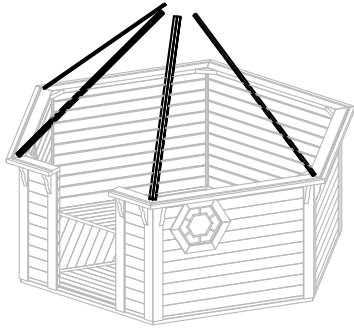
13.3 Grill / Camping / Sauna Cabin 9.2
INSIDE FINISHING BOARD



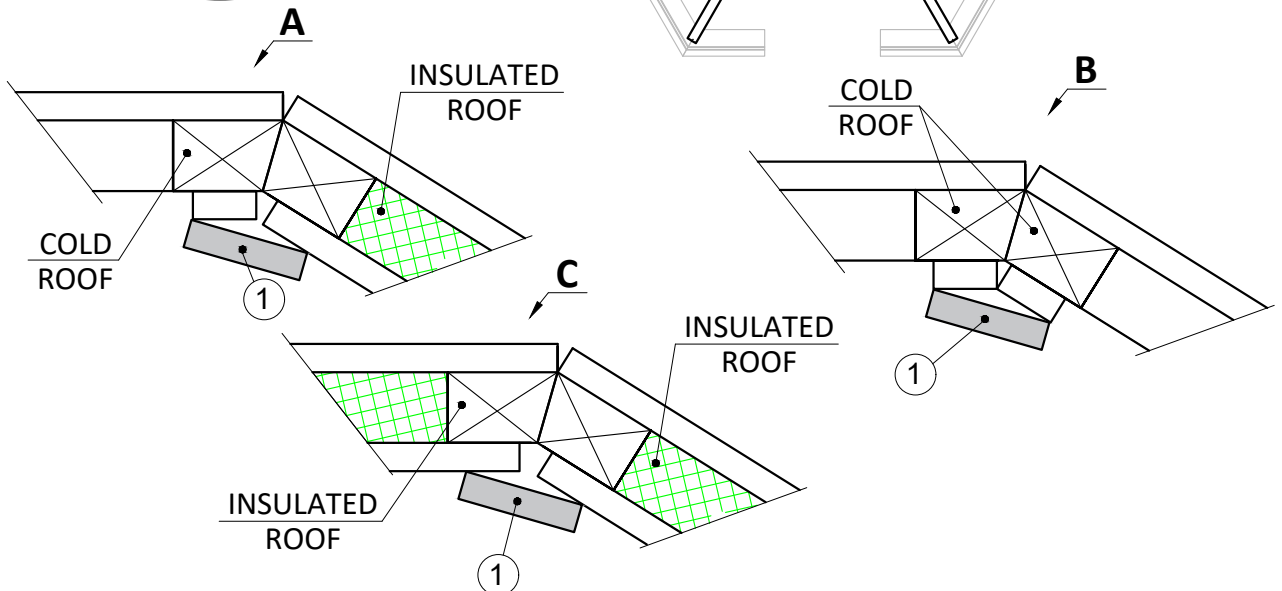
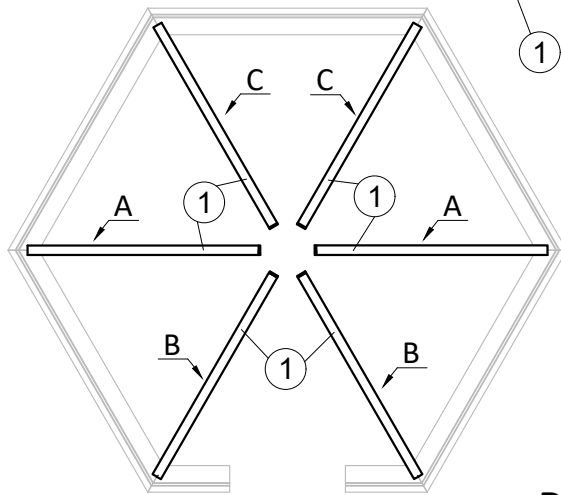
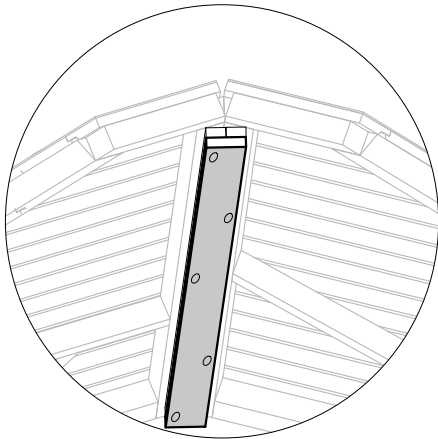
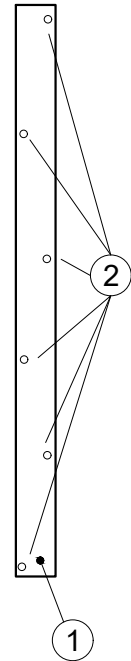
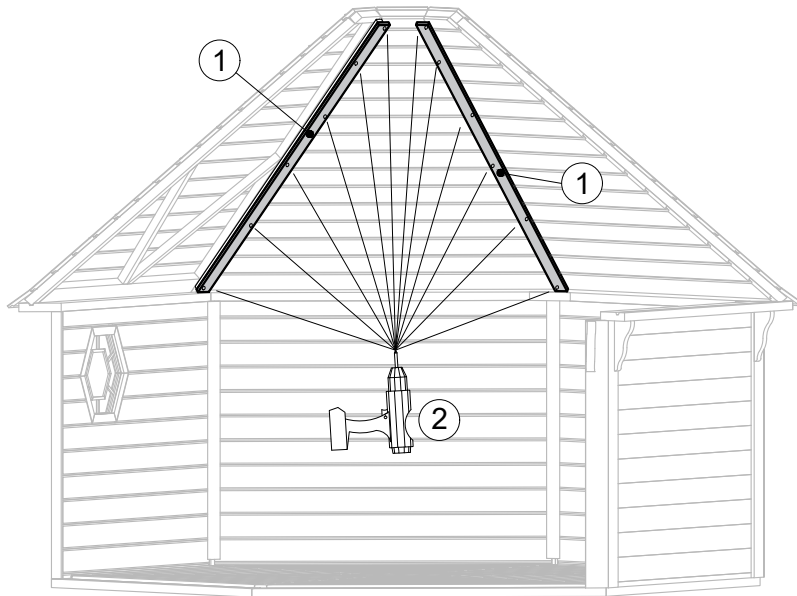
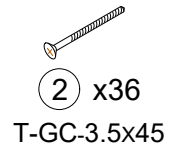
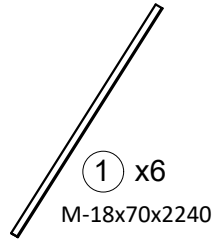
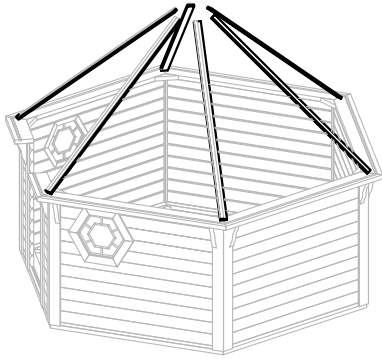
~~IF Sauna Cabin 9.2
WITH CHANGING ROOM~~



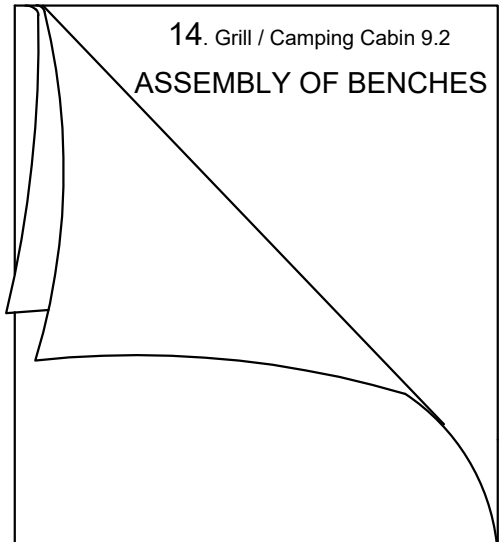
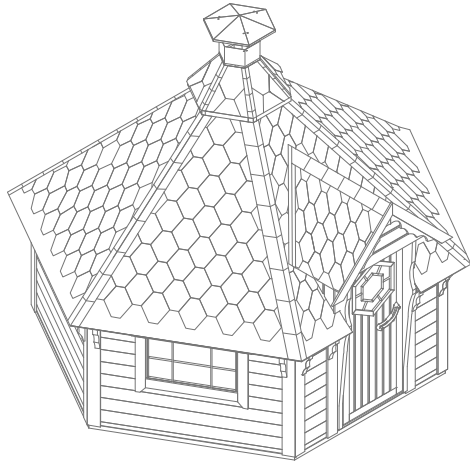
~~13.4 Sauna Cabin 9.2~~
~~INSIDE FINISHING BOARD~~



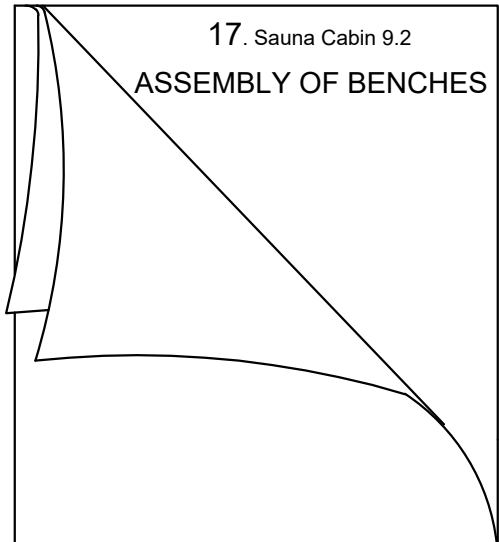
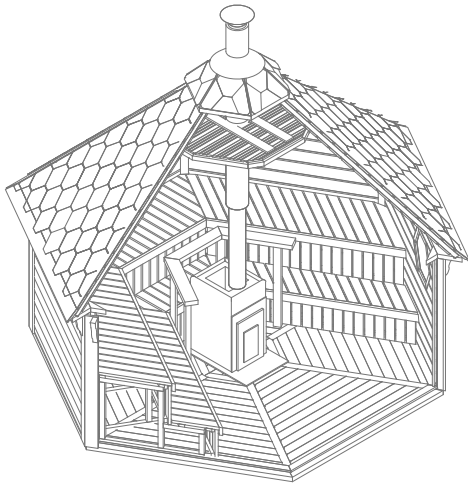
13.5 Sauna Cabin 9.2 INSIDE FINISHING BOARD



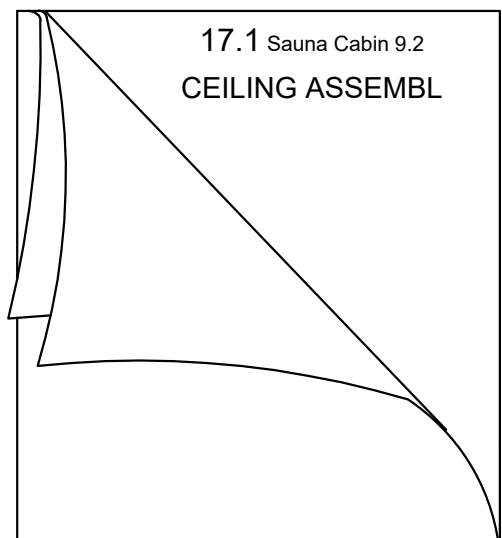
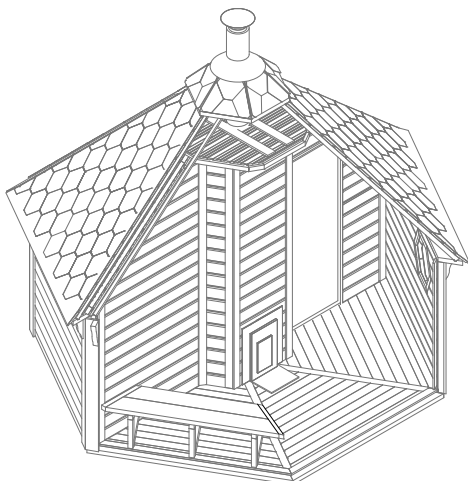
GRILL / CAMPING CABIN 9.2



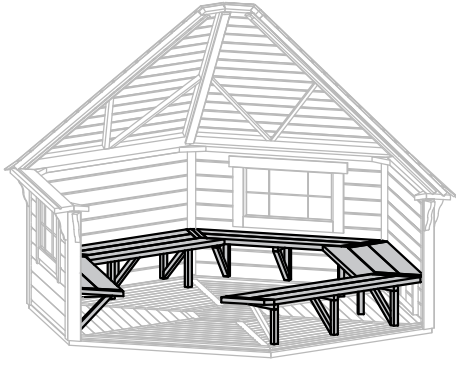
~~SAUNA CABIN 9.2~~



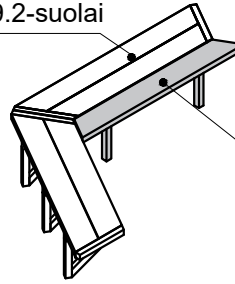
~~SAUNA CABIN 9.2 WITH CHANGING ROOM~~



14. Grill / Camping Cabin 9.2 ASSEMBLY OF BENCHES



① x5
GR9.2-suolai



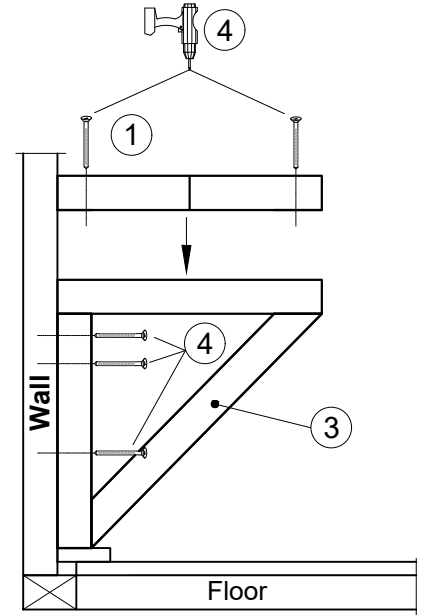
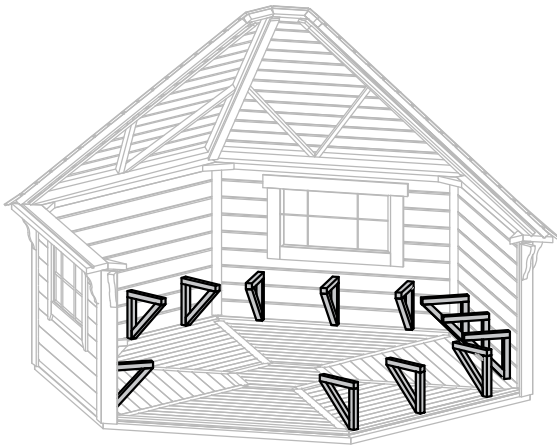
② x2
GR9.2-suolu-
praplatinimas

③ x15
GR-suolu-
kojos

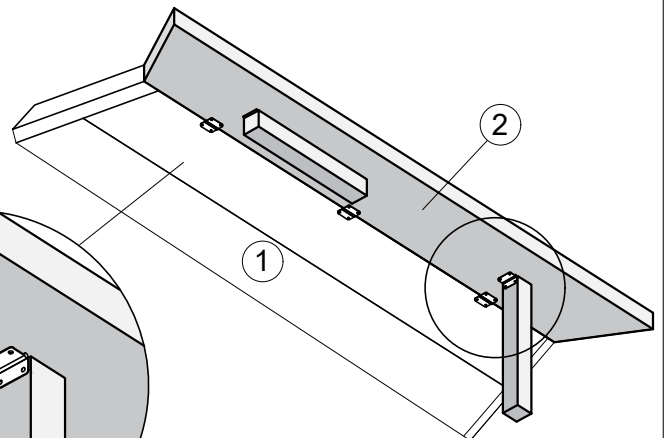
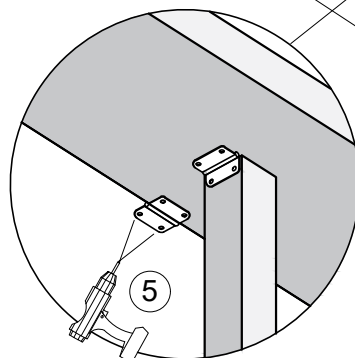
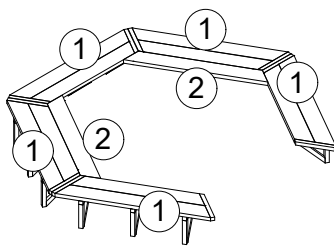
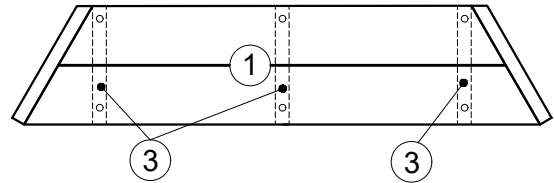
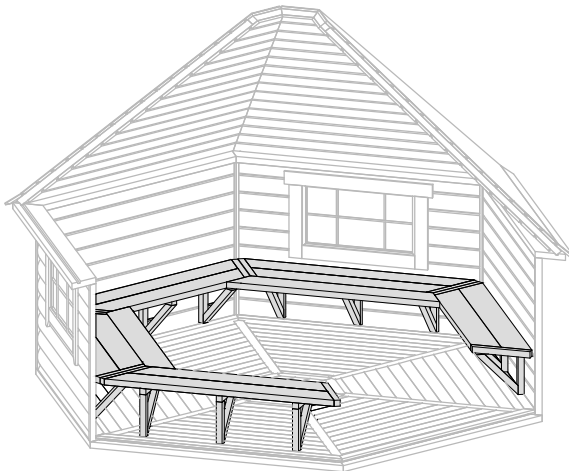
④ x75
T-GC-6x80

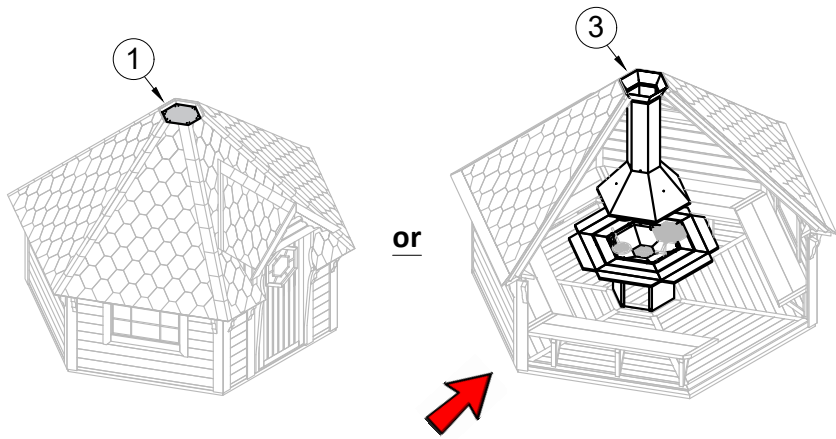
⑤ x12
T-GC-3x30

1 Step



2 Step



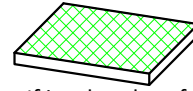


15. Grill Cabin 9.2



① x1

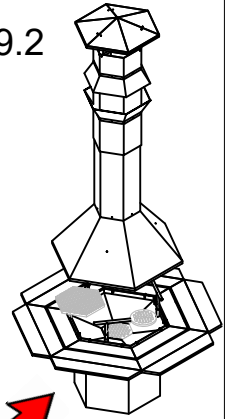
GR6k-Stog-dangtis-433x500



If insulated roof

② x1

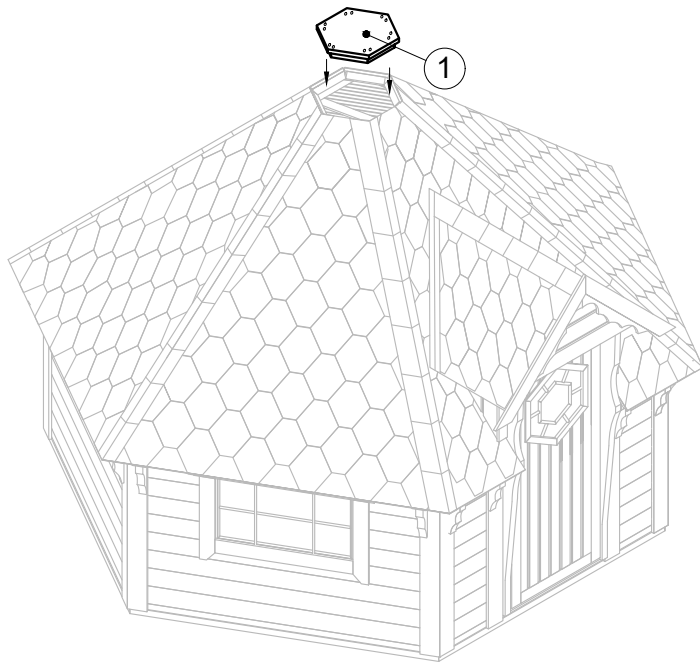
Akmens vata



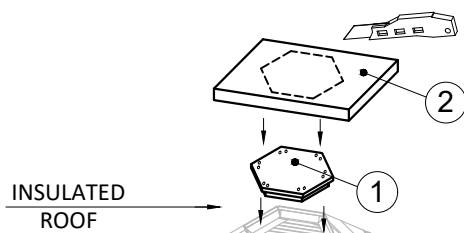
or

③ x1

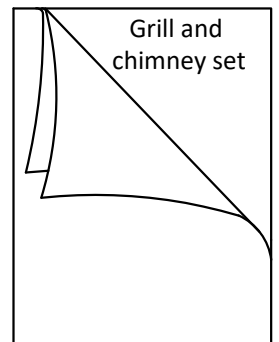
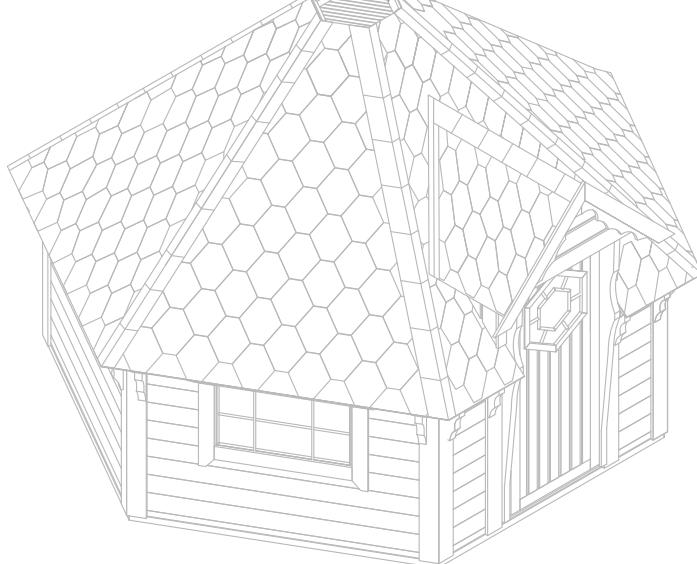
GRC06
or
GRCV01
or
GRL06
or
GRP06



or

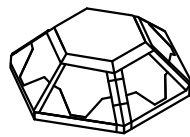
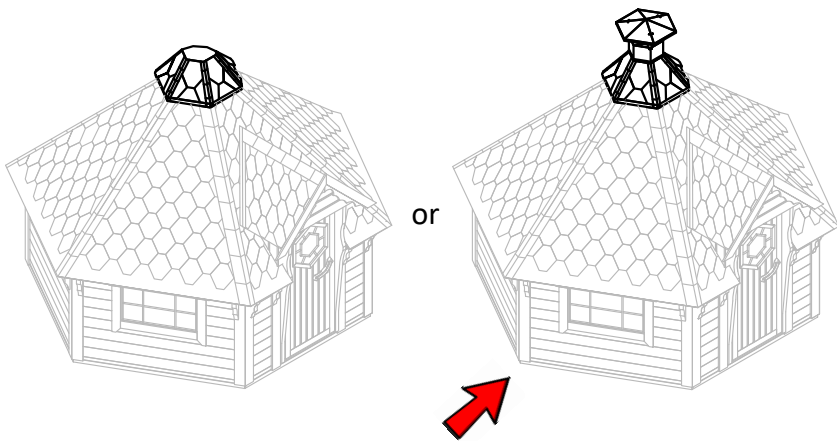


INSULATED
ROOF



Grill and
chimney set

16. Grill / Camping Cabin 9.2
ROOF HAT



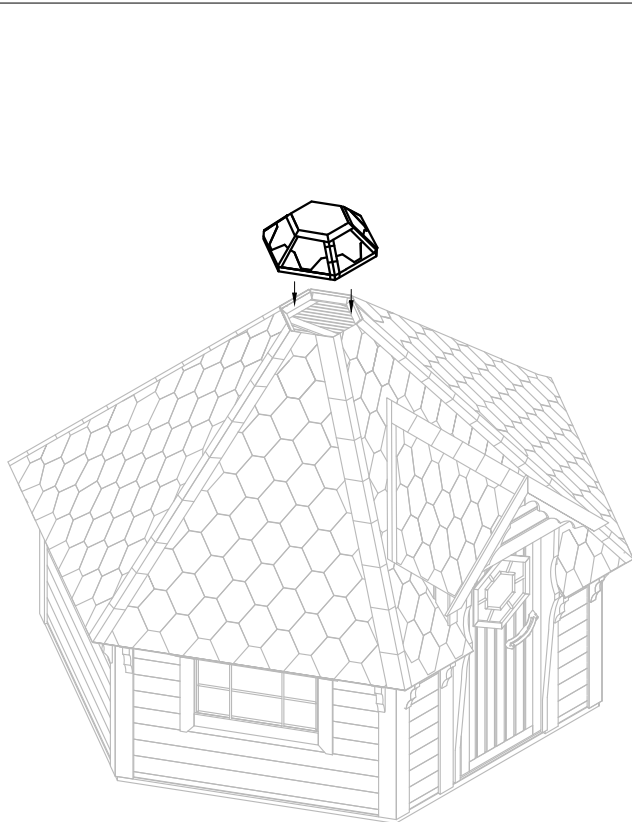
① x1

GR6k-Kepures-dangtis
or
GR6k-Kepure

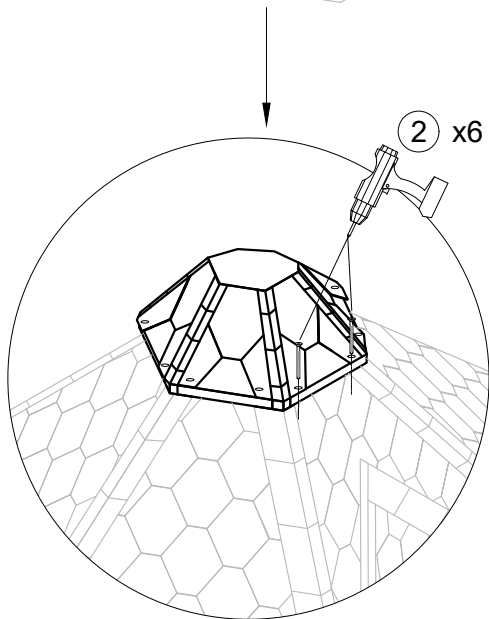
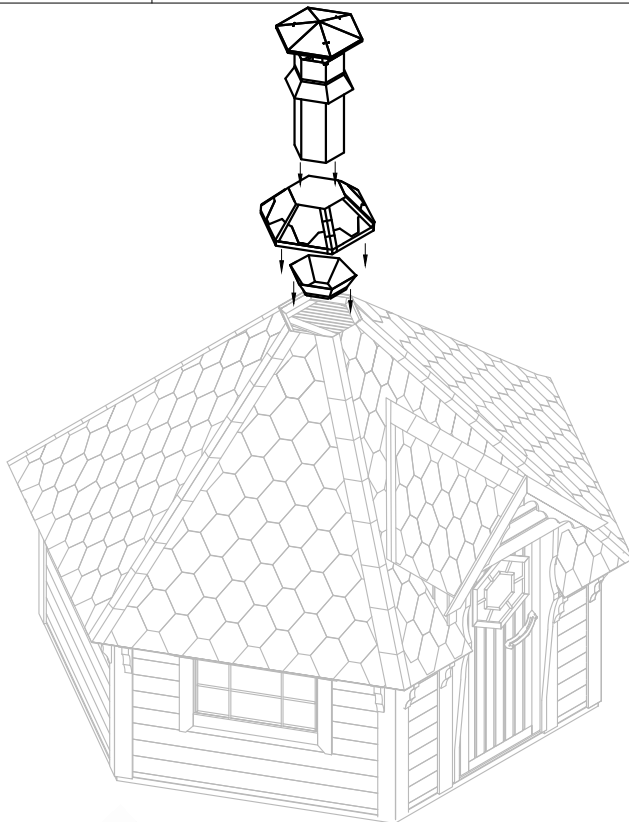


② x6

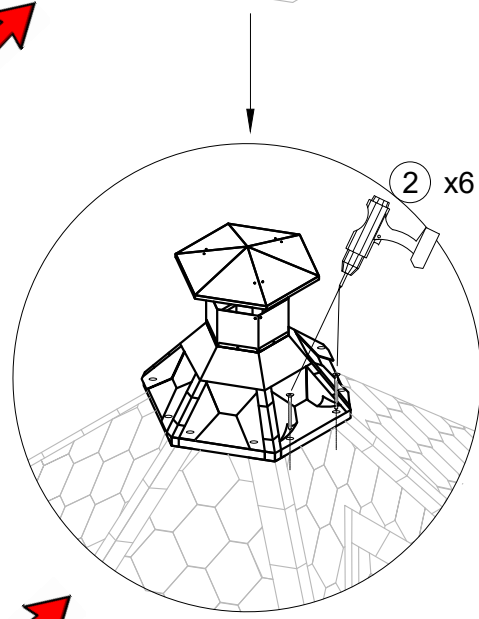
T-GC-4x70



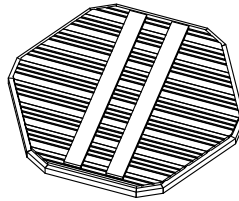
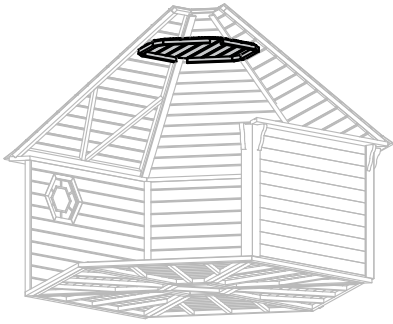
or



or



~~17. Sauna Cabin 9.2~~
~~CEILING ASSEMBLY~~



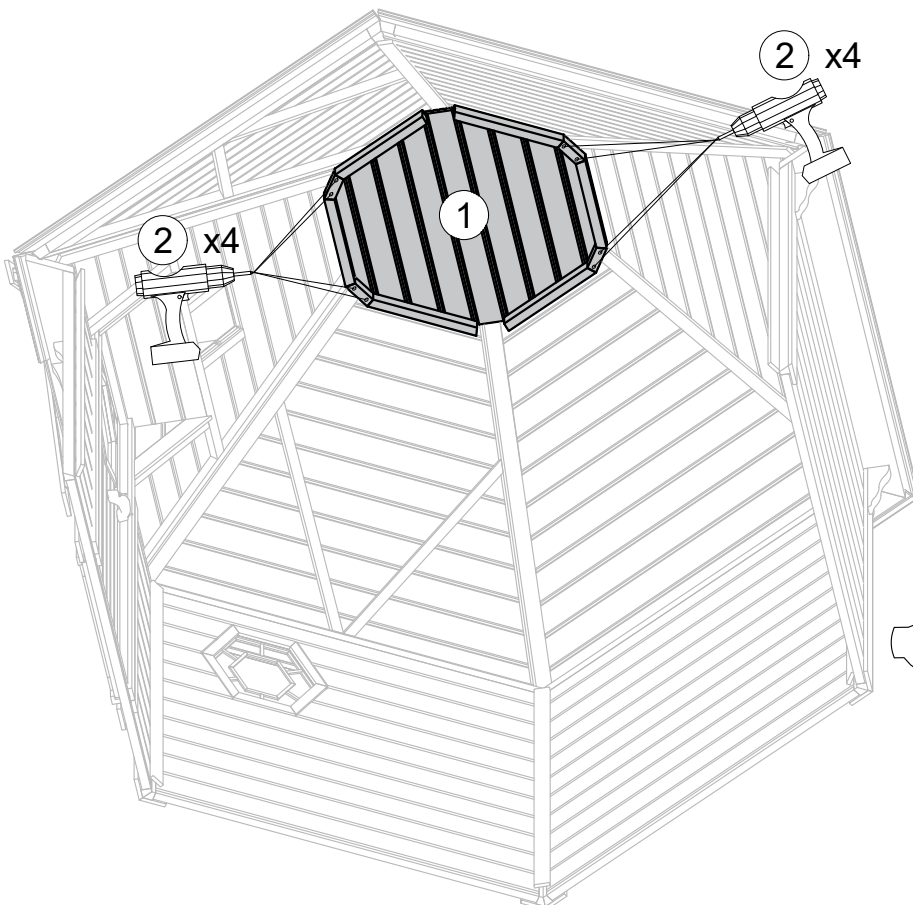
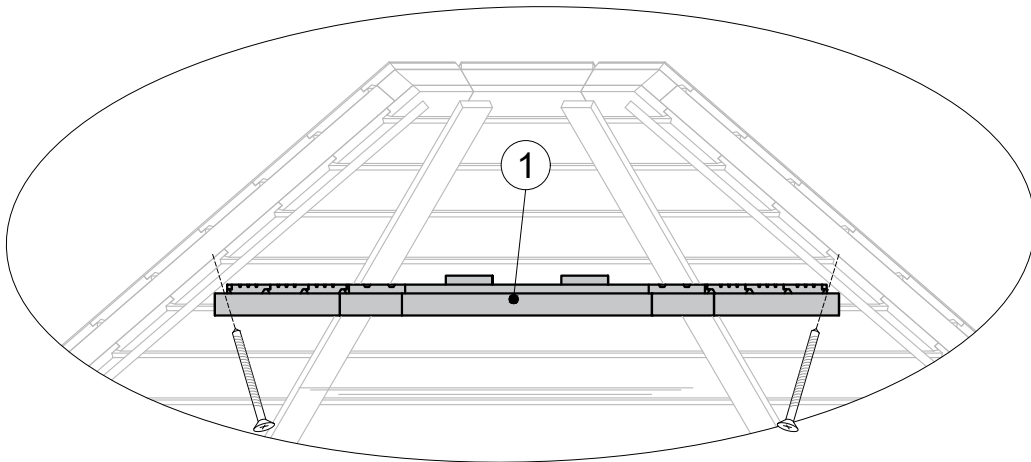
① x1

S9.2-lubos-1270x1173



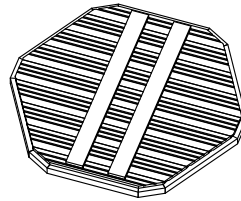
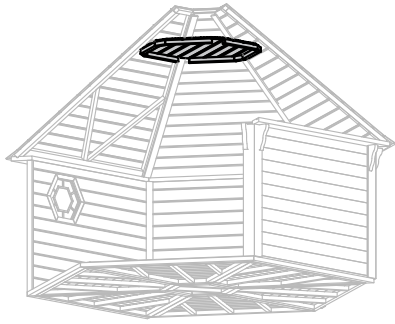
② x8

T-GC-5x100



26. Sauna Cabin 9.2
SAUNA
BENCHES

~~17.1 Sauna Cabin with changing room 9.2~~
~~CEILING ASSEMBLY~~



① x1

S9.2-lubos-1270x1173

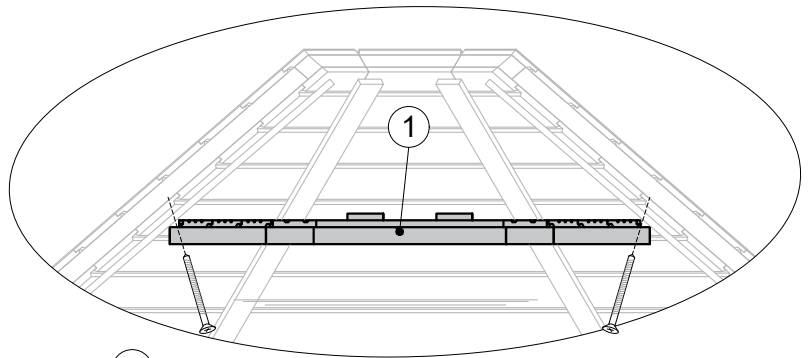
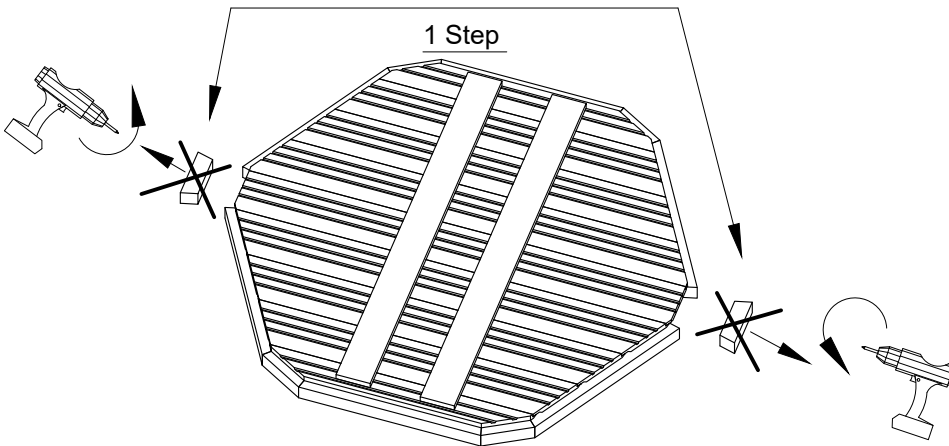


② x8

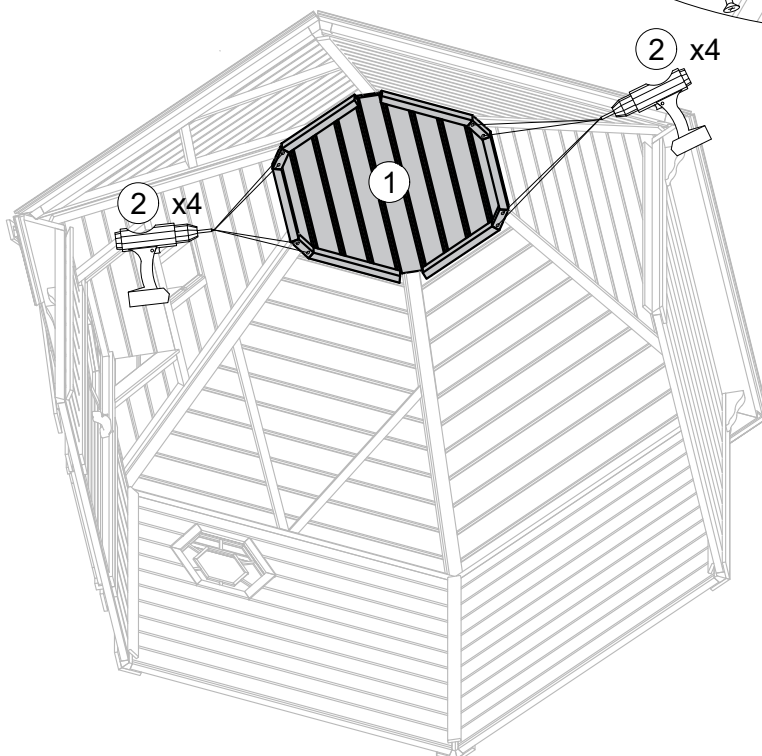
T-GC-5x100

IF Sauna Cabin 9.2
WITH CHANGING ROOM

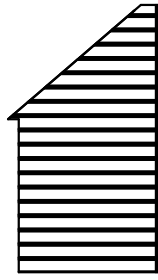
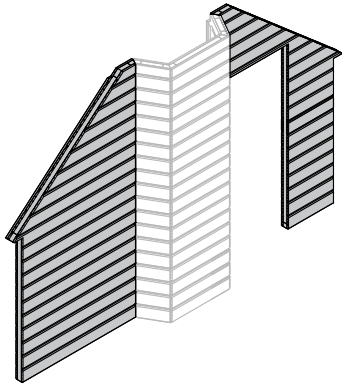
1 Step



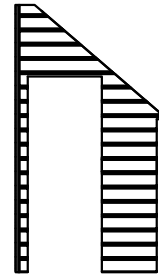
2 Step



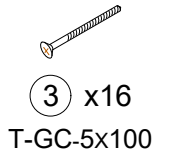
~~18. Sauna Cabin with changing room 9.2~~
~~INSIDE WALL ASSEMBLY~~



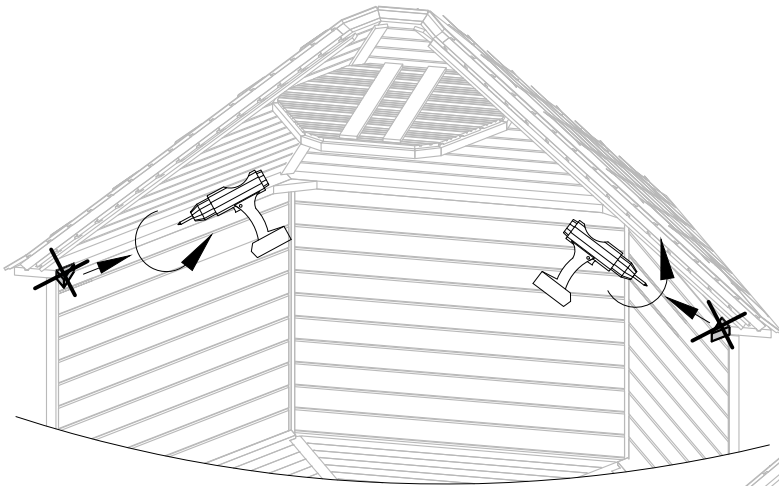
① x1
S9.2-Pertv-1434x2525



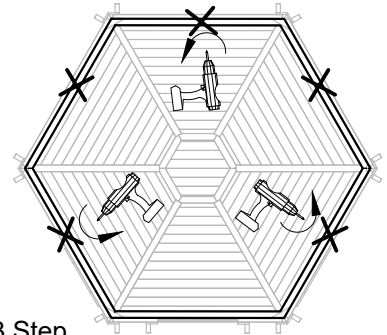
② x1
S9.2-PertvD-1434x2525



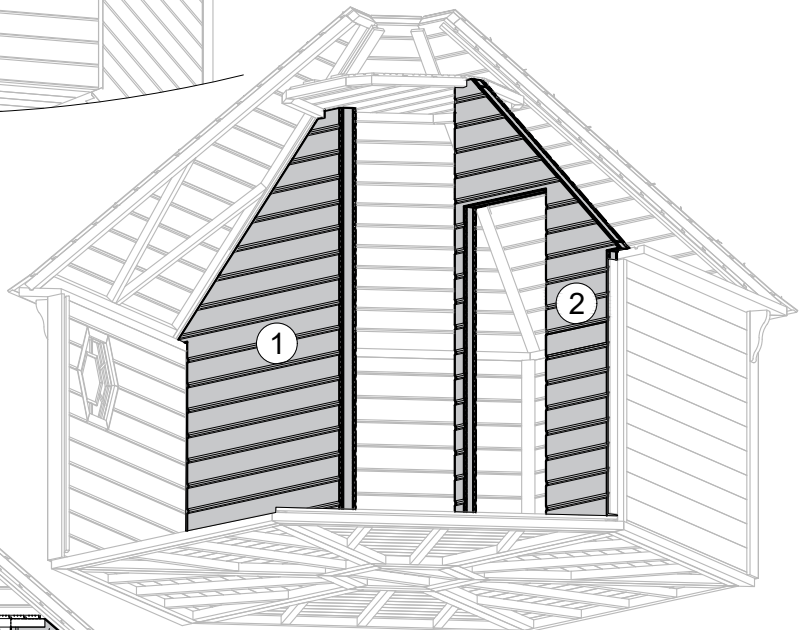
1 Step



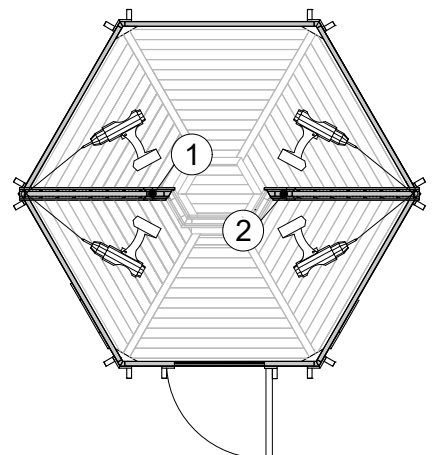
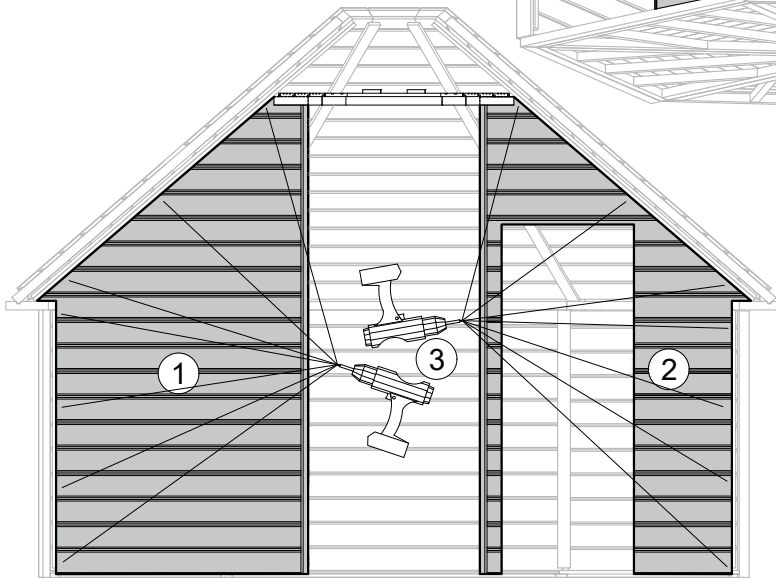
2 Step



3 Step

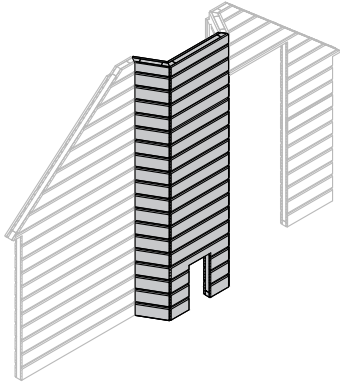


3 Step



~~18.1 Sauna Cabin with changing room 9.2~~

~~INSIDE WALL ASSEMBLY~~



① x1

S9.2-Pertv-326x2525-(k)



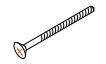
② x1

S9.2-Pertv-661x2525



③ x1

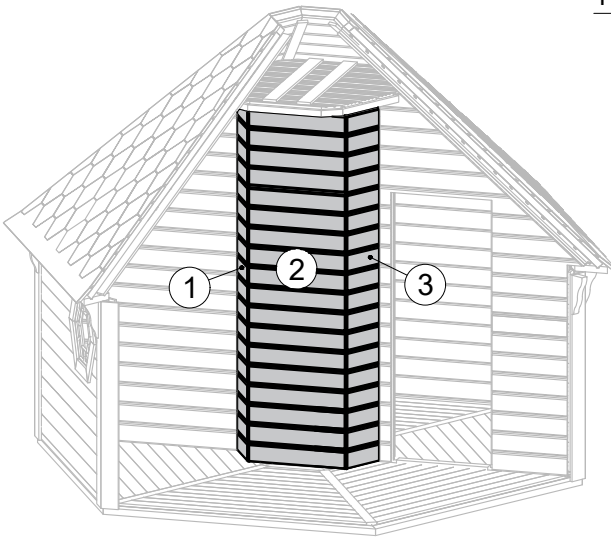
S9.2-Pertv-326x2525-(d)



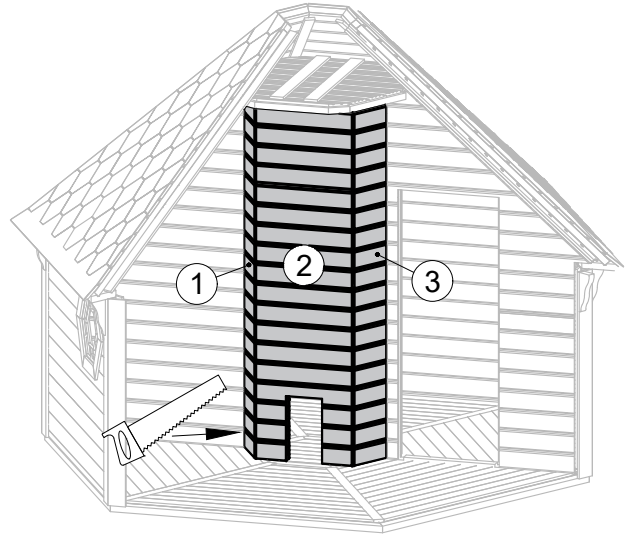
④ x16

T-GC-5x100

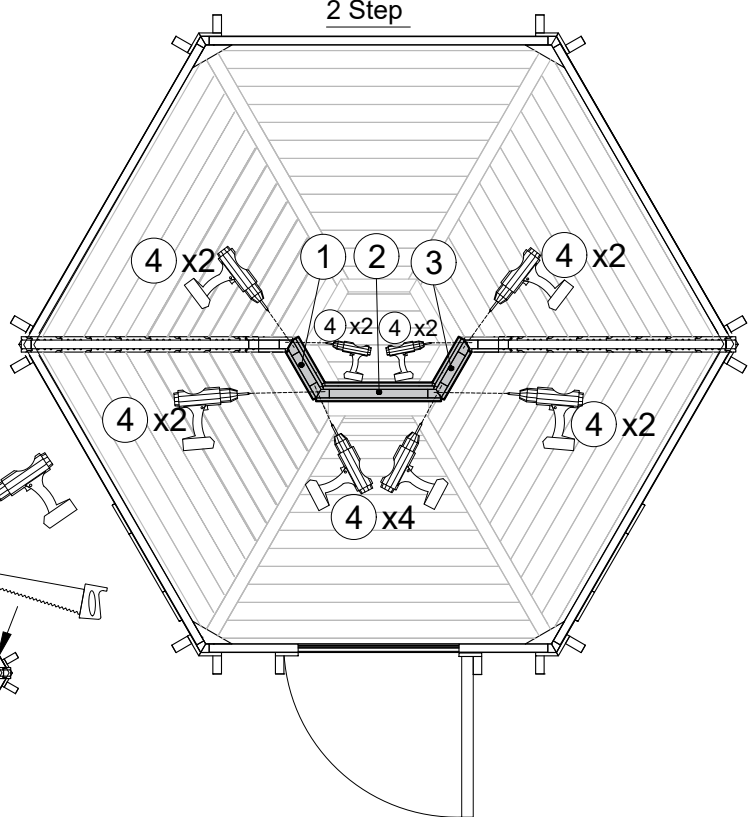
1 Step



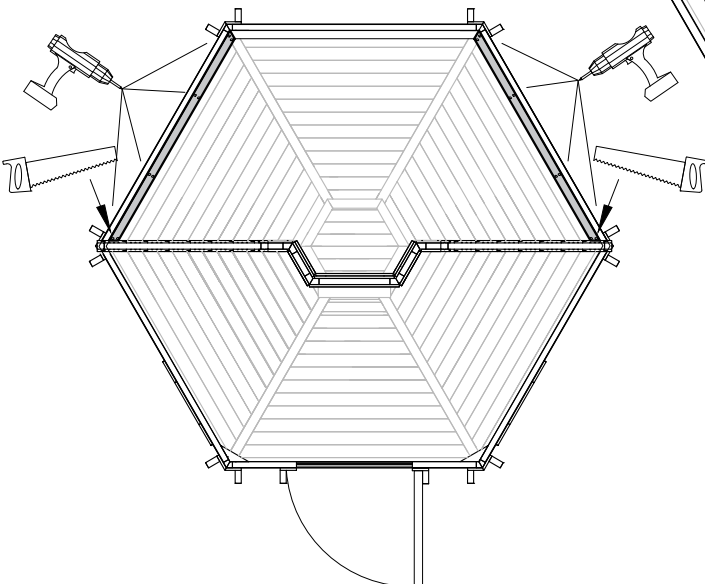
OR



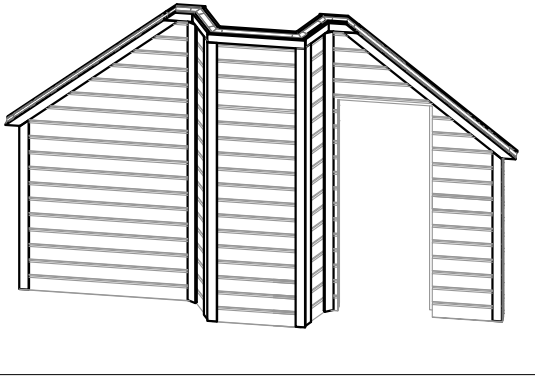
2 Step



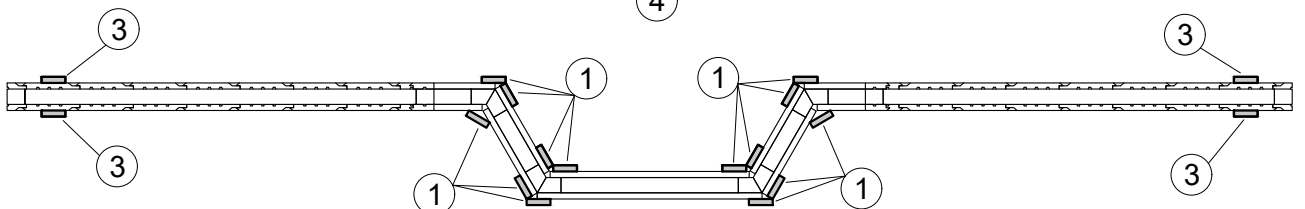
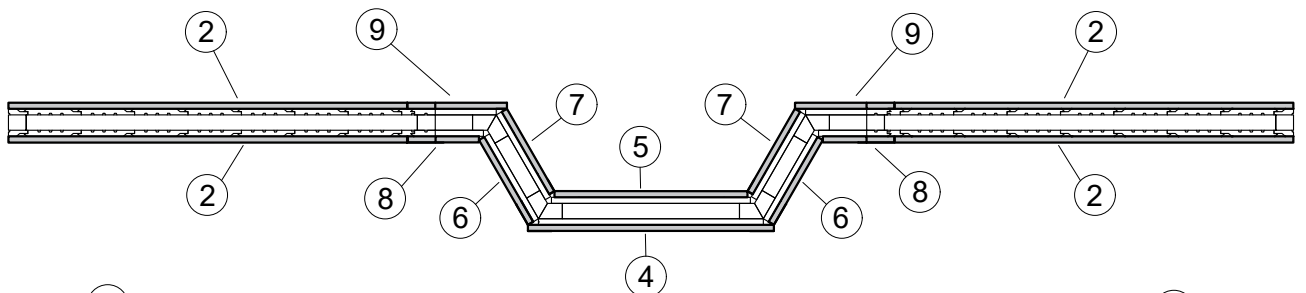
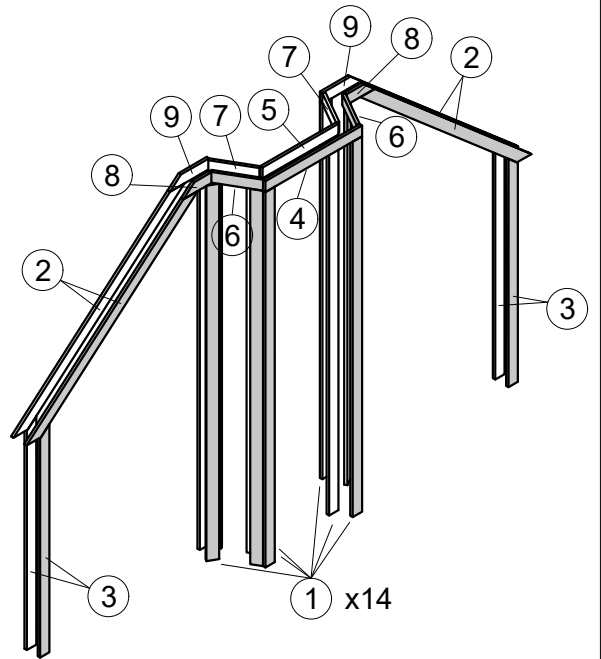
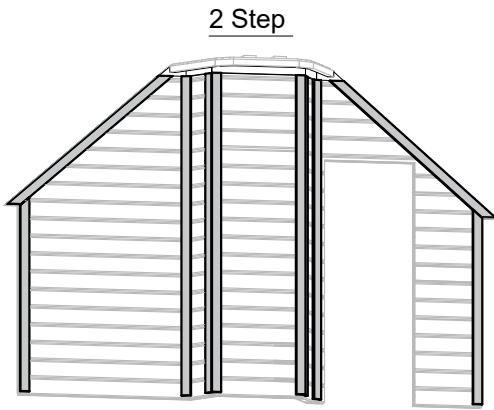
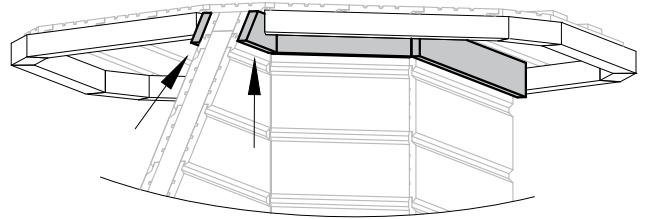
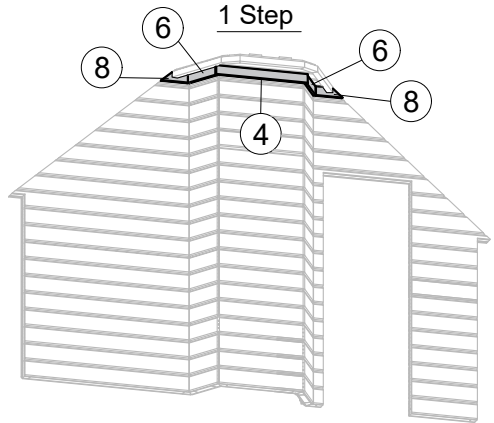
3 Step



~~19. Sauna Cabin with changing room 9.2~~
~~INSIDE WALL FINISHING BOARD~~

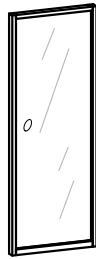


- ① x14
M-18x70x2432
- ② x4
M-18x70x1627-F
- ③ x4
M-18x70x1479-F
- ④ x1
M-18x70x720
- ⑤ x1
M-18x70x565
- ⑥ x2
M-18x70x285
- ⑦ x2
M-18x70x275
- ⑧ x2
M-18x70x209-F
- ⑨ x2
M-18x70x290-F
- ⑩ x244
T-GC-3.5x45

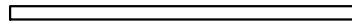


~~20. Sauna Cabin with changing room 9.2~~ ~~INSIDE DOOR AND FINISHING BOARD~~

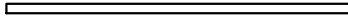
① x1
PUS00233



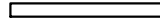
② x3
M-18x70x1840



③ x1
M-18x50x1840



④ x2
M-18x70x810

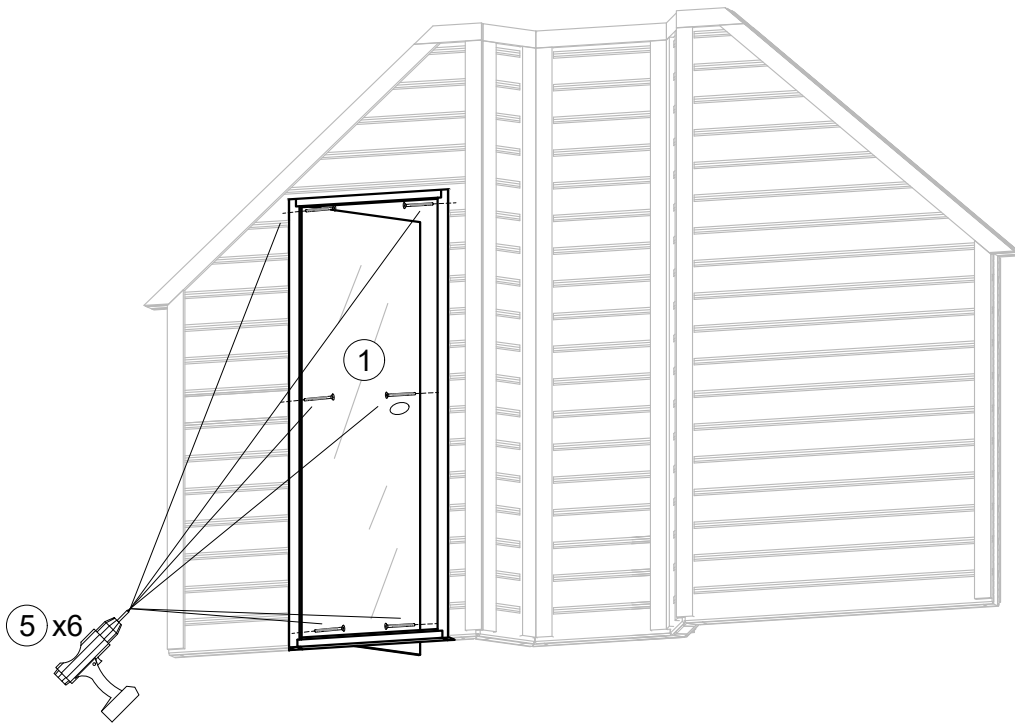


⑤ x6
T-GC-5x100

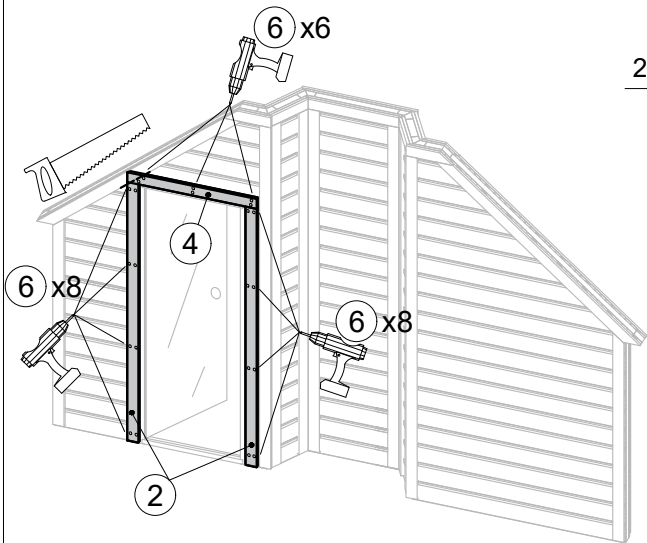


⑥ x48
T-GC-3.5x45

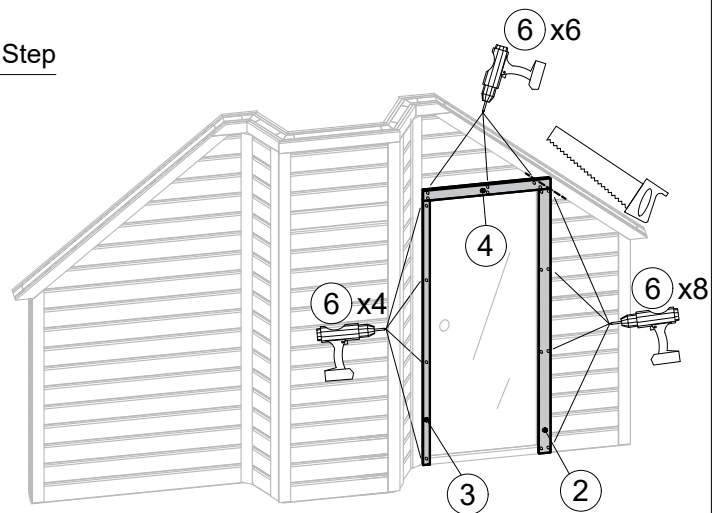
1 Step



2 Step

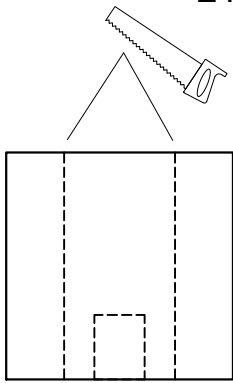


FROM SAUNA SIDE



FROM CHANGING ROOM SIDE

~~21. Sauna Cabin with changing room 9.2~~
~~HEAT-RESISTANT PLATES~~



① x2

HEAT-RESISTANT PLATE

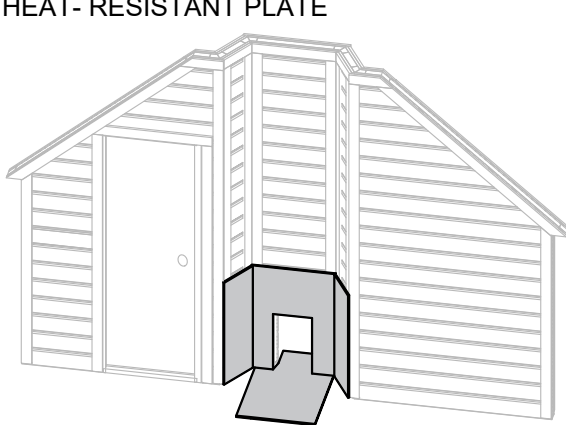


② x24

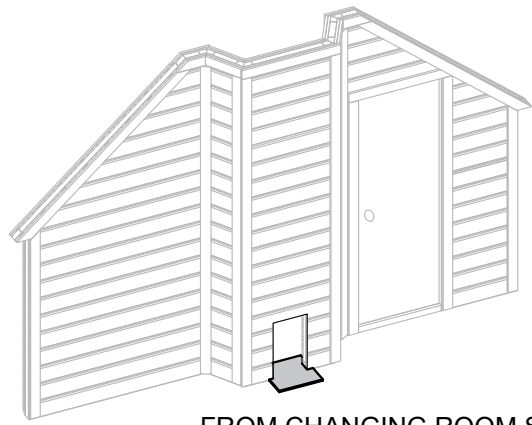
T-GC-3.5x45

ATTENTION

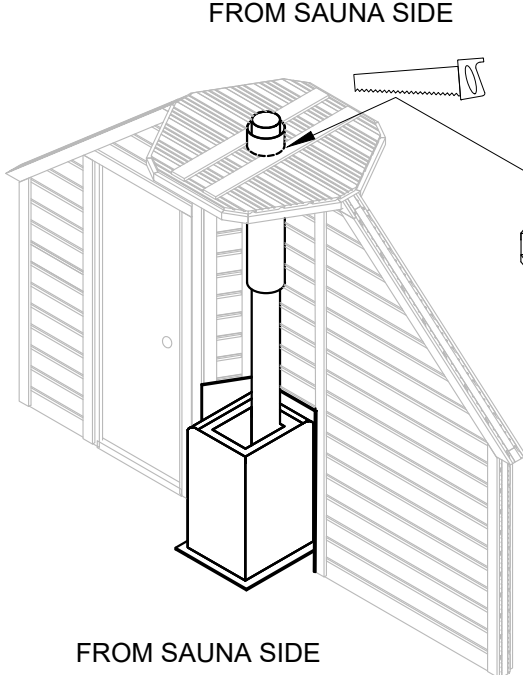
FOLLOW THE MANUFACTURER'S
RECOMENDATIONS WHEN INSTALLING
THE SAUNA HEATER



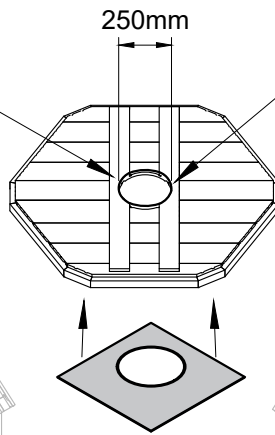
FROM SAUNA SIDE



FROM CHANGING ROOM SIDE

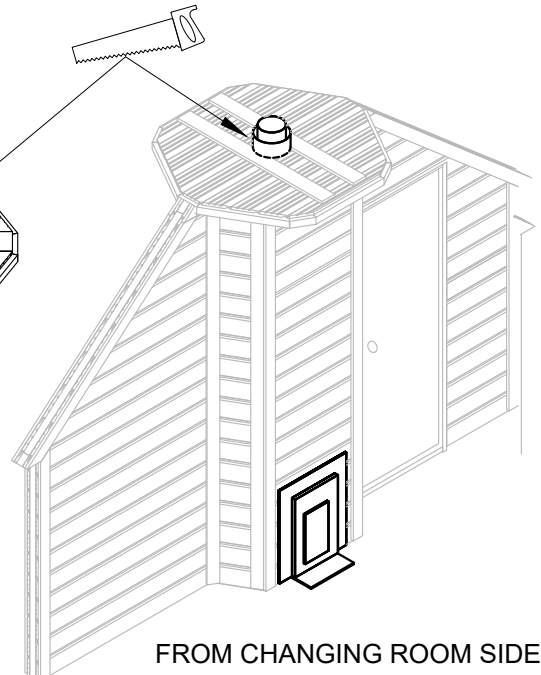


FROM SAUNA SIDE

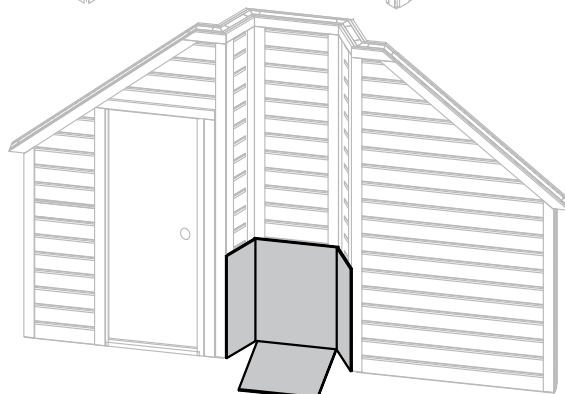


250mm

OR

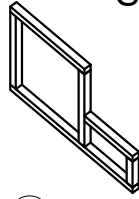
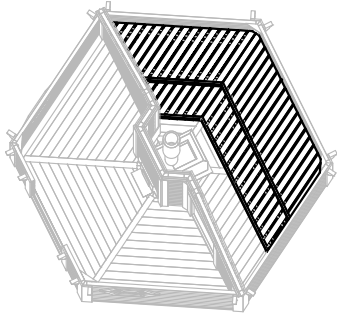


FROM CHANGING ROOM SIDE



FROM SAUNA SIDE

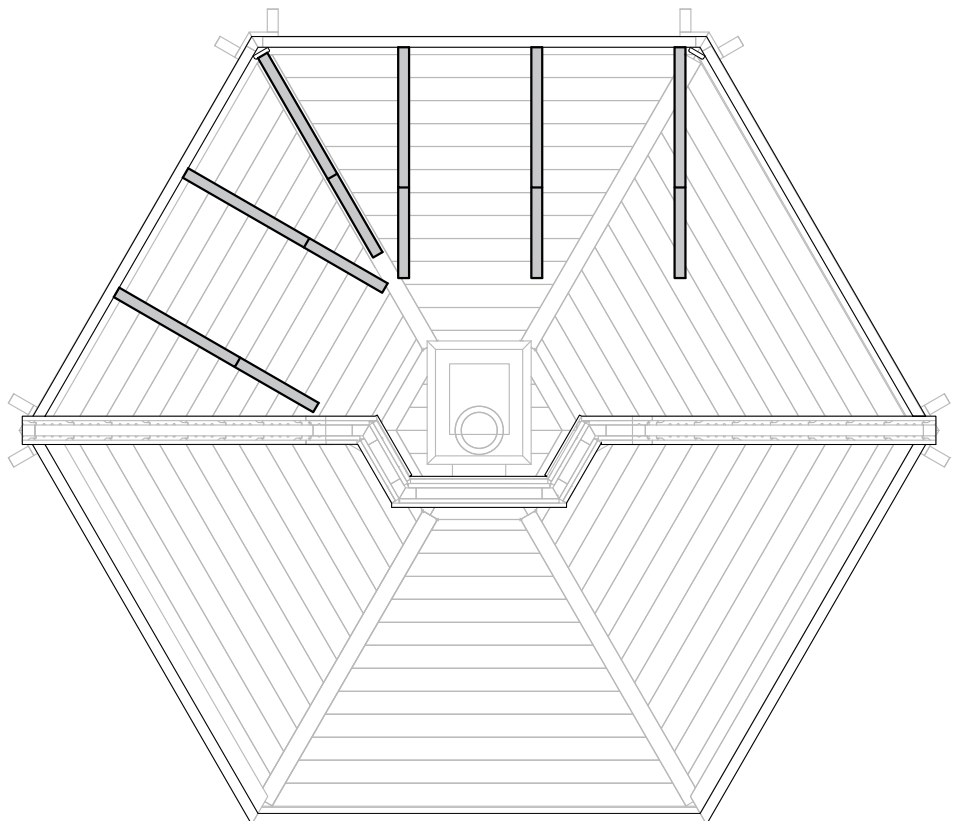
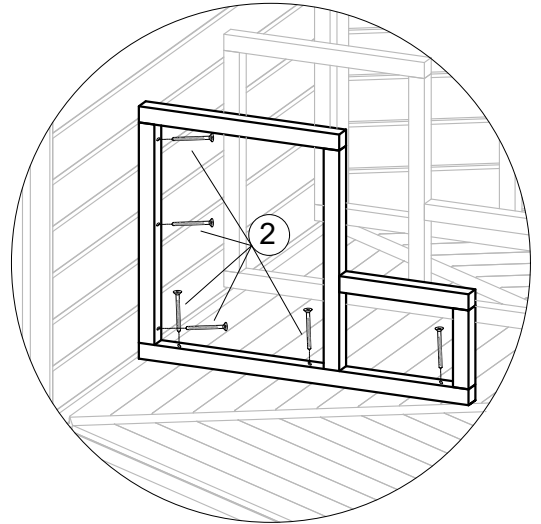
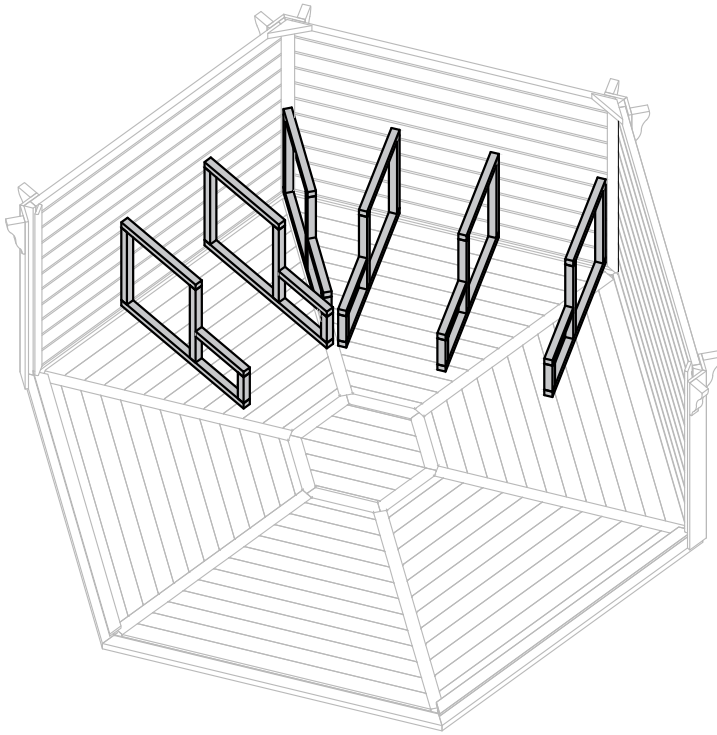
~~22. Sauna Cabin with changing room 9.2~~
~~SAUNA BENCHES~~



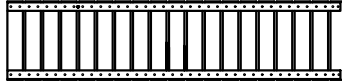
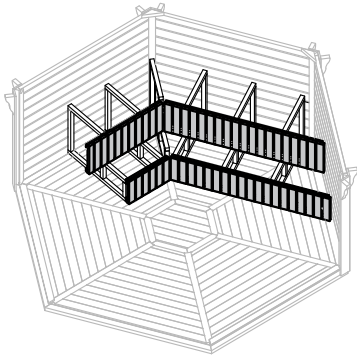
① x6
S-koja-954x705



② x36
T-GC-6x80



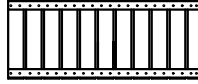
~~22.1 Sauna Cabin with changing room 9.2~~
~~SAUNA BENCHES~~



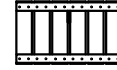
① x1
S9.2-gultas-1792x415



② x1
S9.2-gultas-1792x330



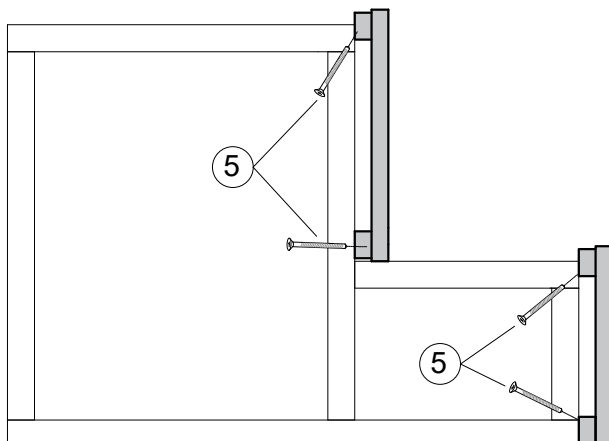
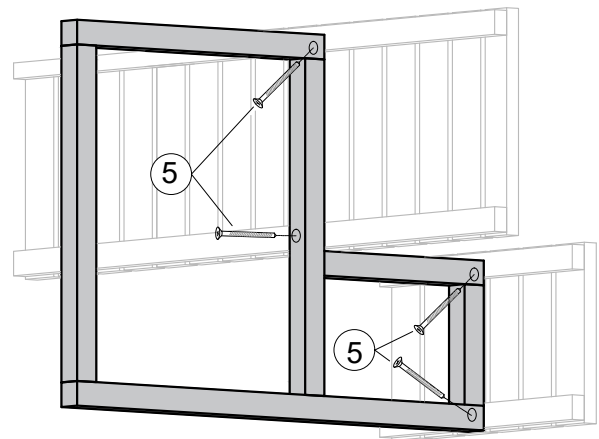
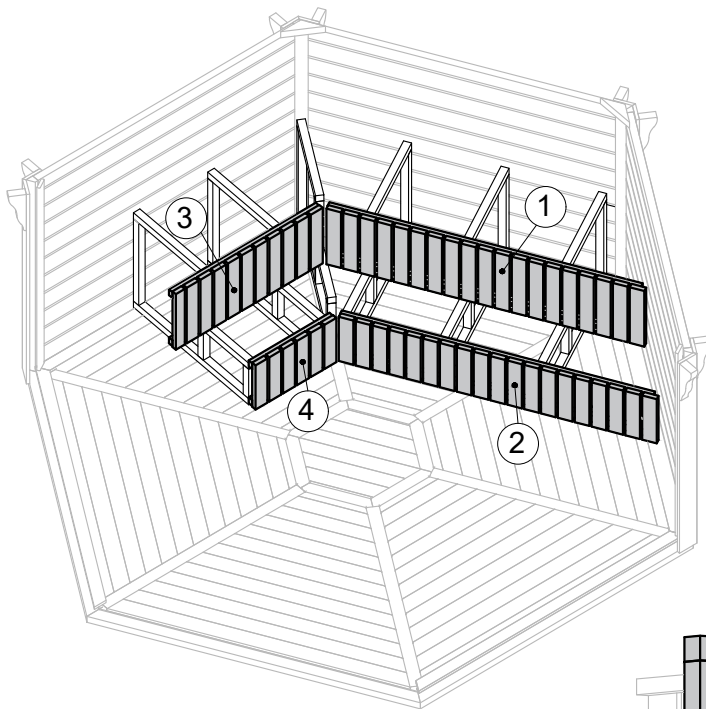
③ x1
S9.2-gultas-1012x415



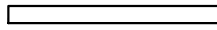
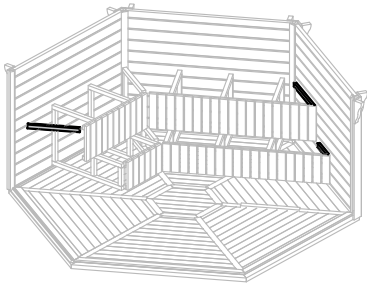
④ x1
S9.2-gultas-557x330



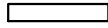
⑤ x24
T-GC-5x80



~~22.2 Sauna Cabin with changing room 9.2~~
SAUNA BENCHES



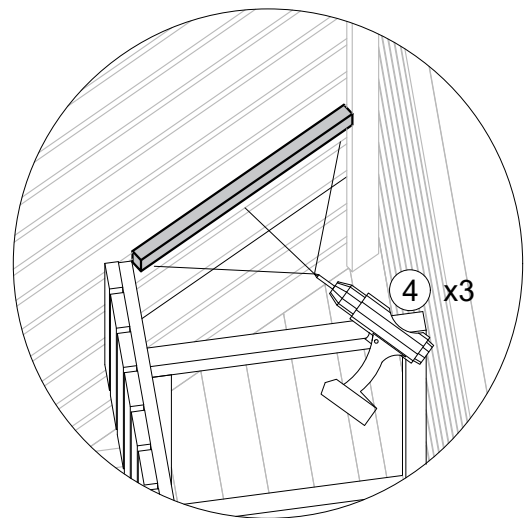
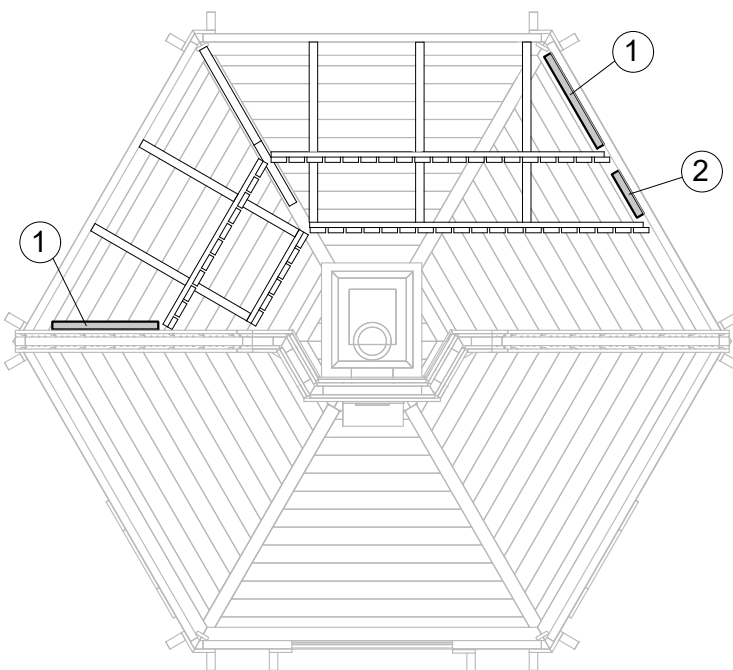
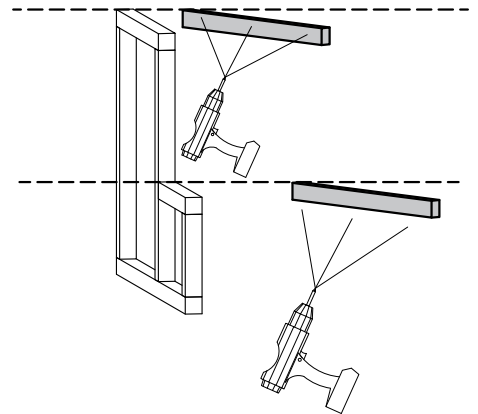
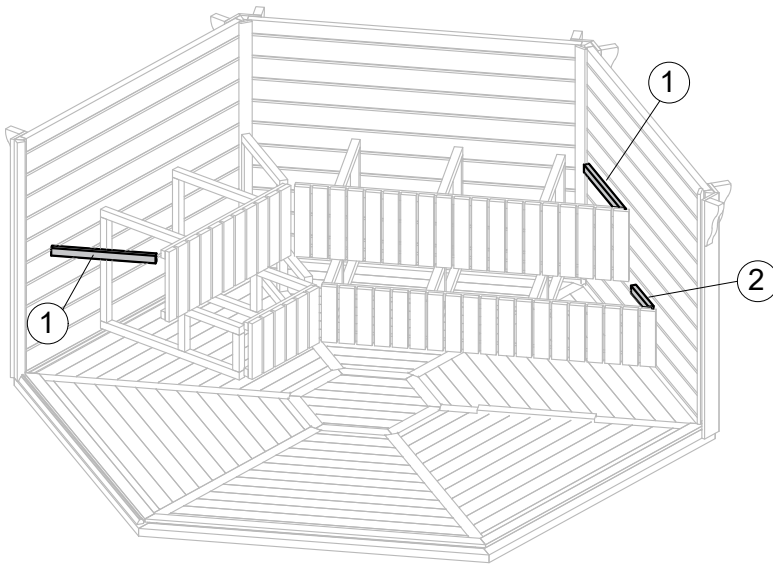
① x2
M-45x45x560



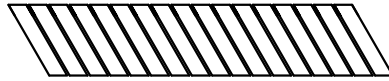
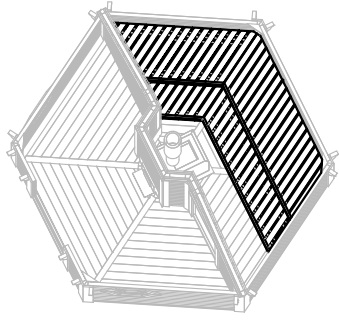
② x1
M-45x45x265



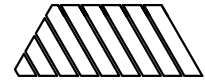
③ x9
T-GC-5x80



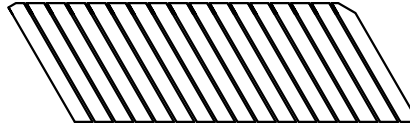
~~22.3 Sauna Cabin with changing room 9.2~~
~~SAUNA BENCHES~~



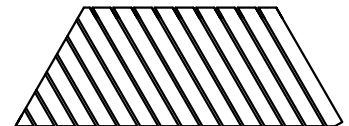
① x1
 S9.2-gultas-2034x374



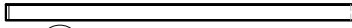
② x1
 S9.2-gultas-992x374



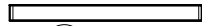
③ x1
 S9.2-gultas-2168x628



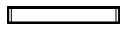
④ x1
 S9.2-gultas-1730x628



⑤ x2
 Mpl-28x82x1841-F



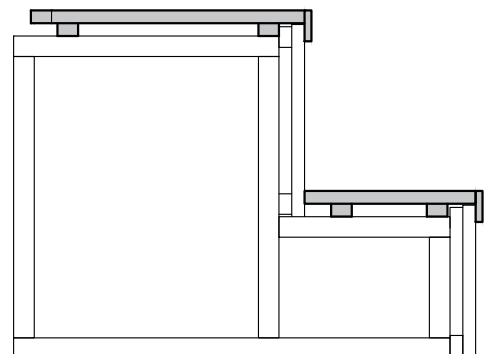
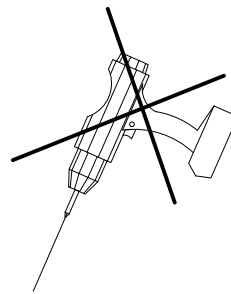
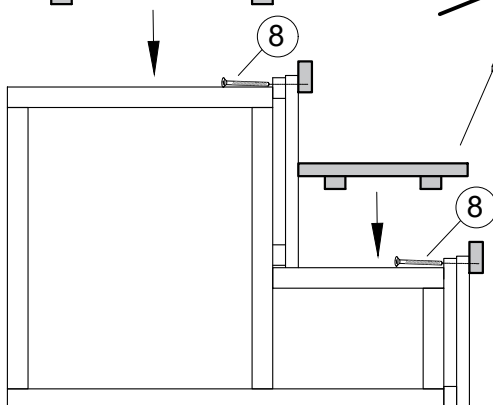
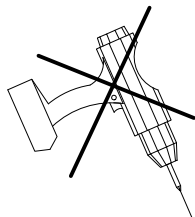
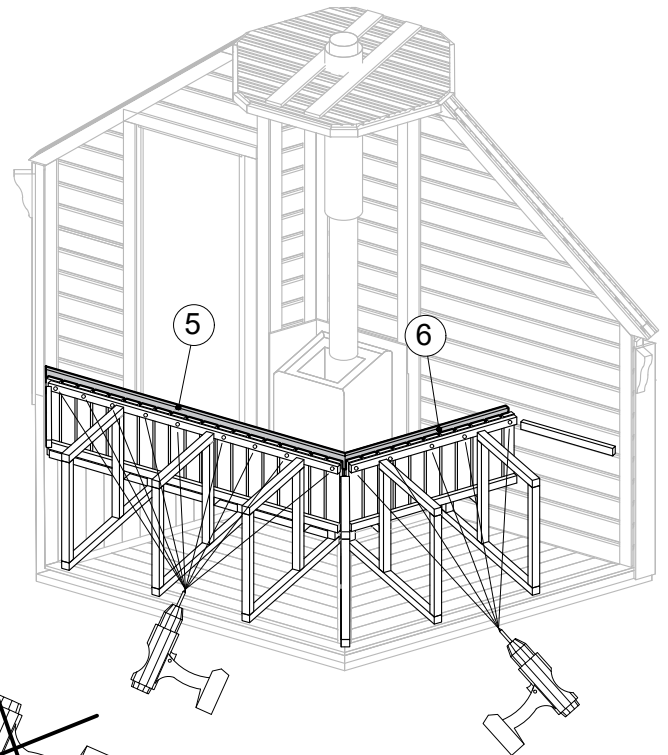
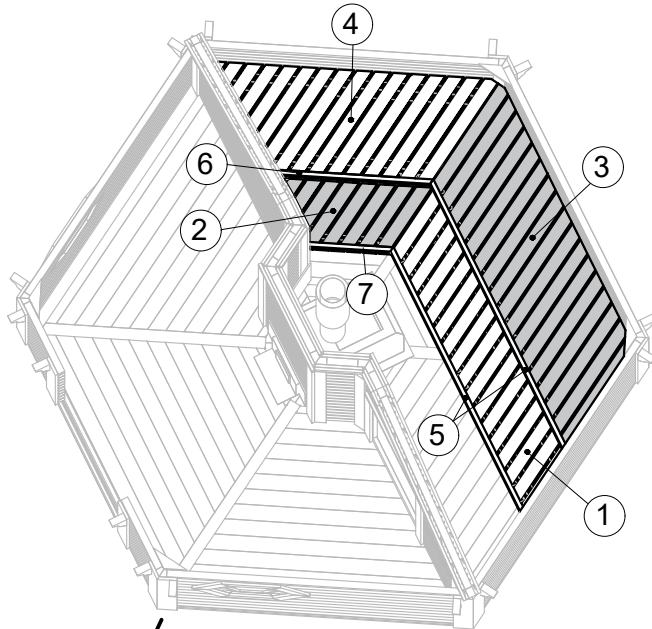
⑥ x1
 Mpl-28x82x1016-F



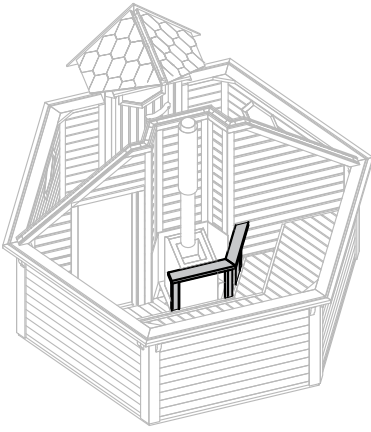
⑦ x1
 Mpl-28x82x587-F



⑧ x30
 T-GC-5x80



~~24. Sauna Cabin with changing room 9.2~~
~~SAFETY FENCE FOR THE HEATER~~

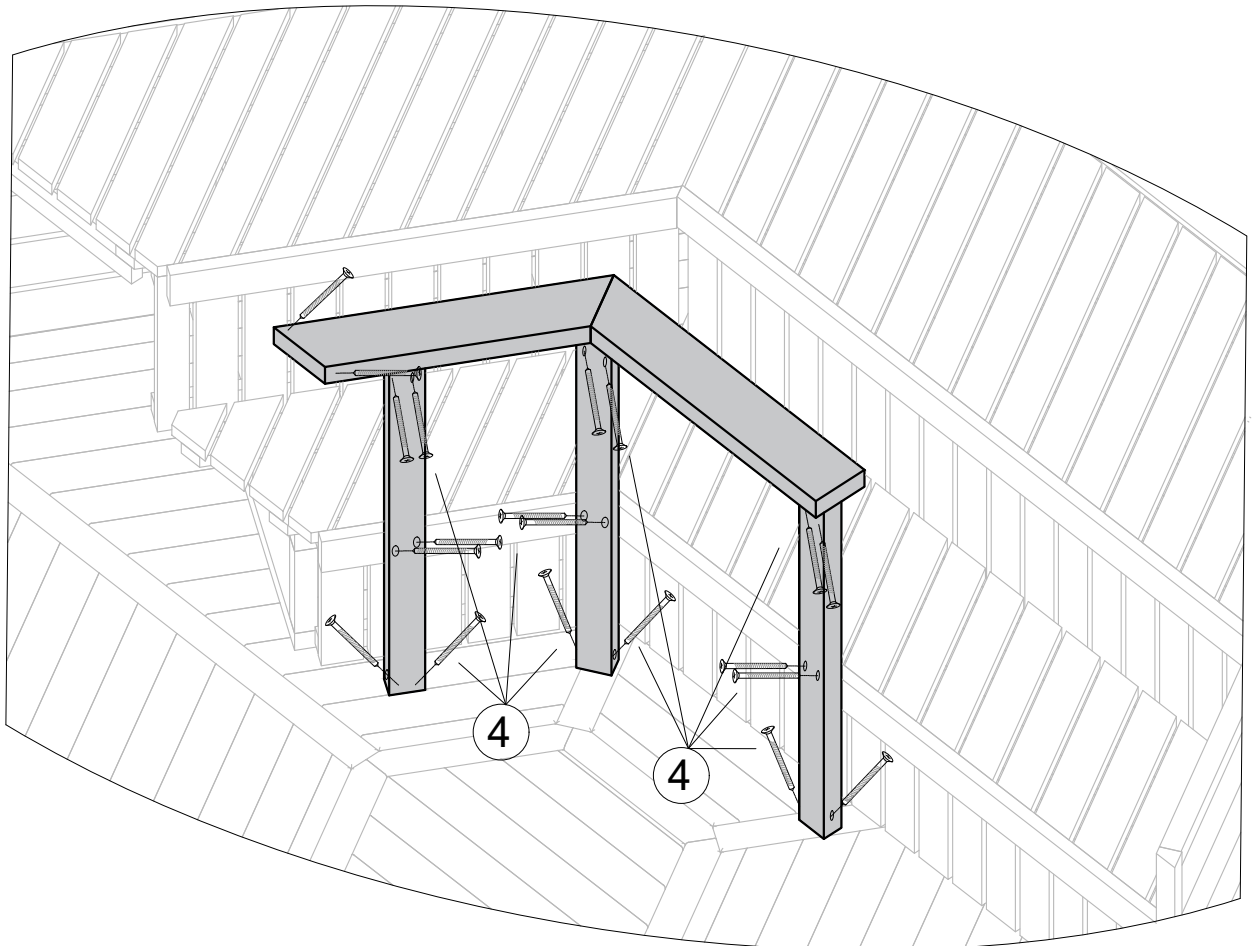
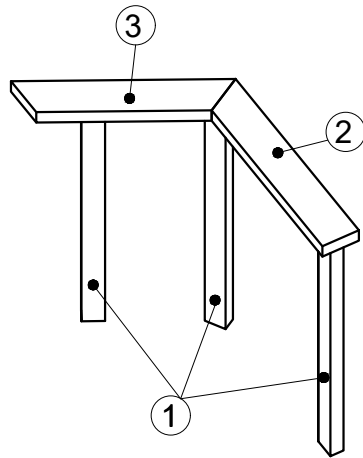


① x3
M-45x70x900

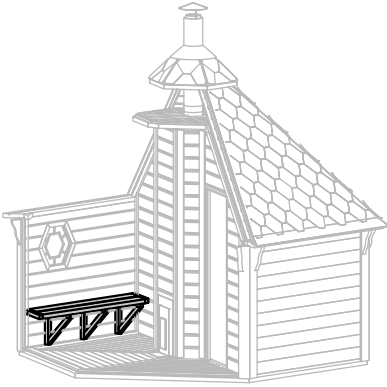
② x1
M-45x120x710-F


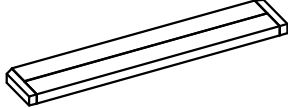
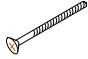
③ x1
M-45x120x630-F

④ x20
T-GC-5x80

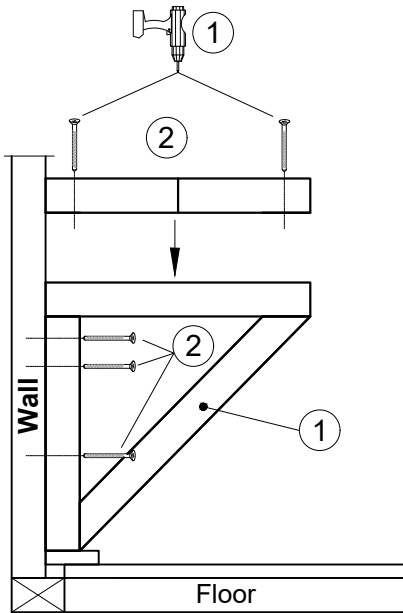


~~25. Sauna Cabin with changing room 9.2~~
~~ASSEMBLY OF BENCHES~~

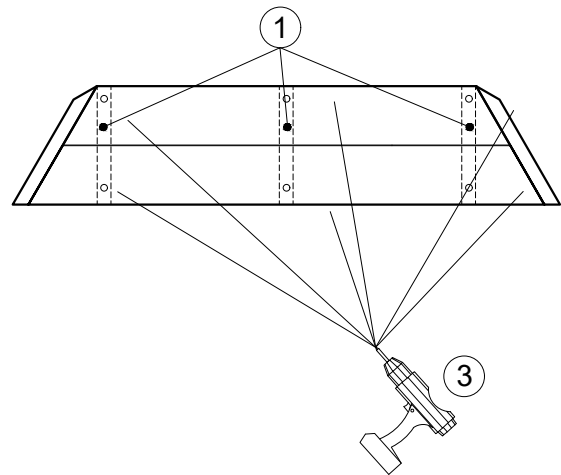


-  ① x3
GR-suolu-kojos
-  ② x1
S9.2-suolas
-  ③ x15
T-GC-6x80

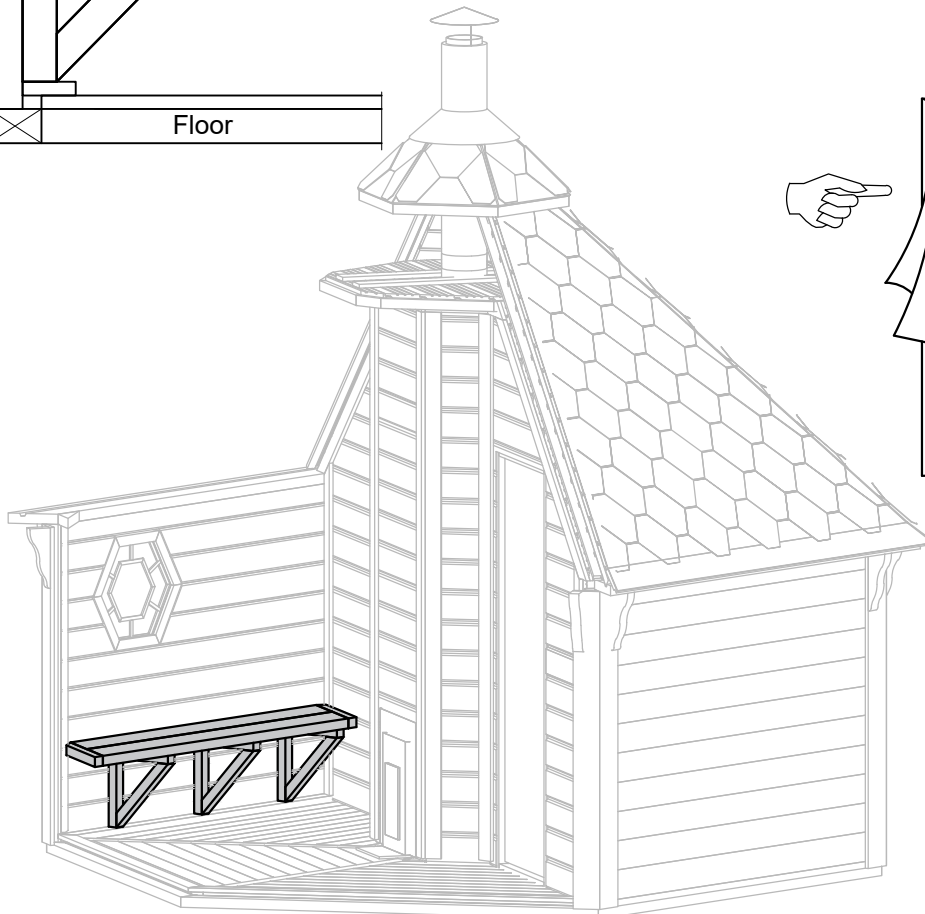
1 Step



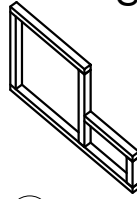
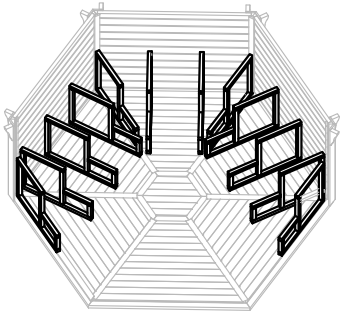
2 Step



29. Sauna Cabin 9.2
ROOF HAT



26. Sauna Cabin 9.2 SAUNA BENCHES

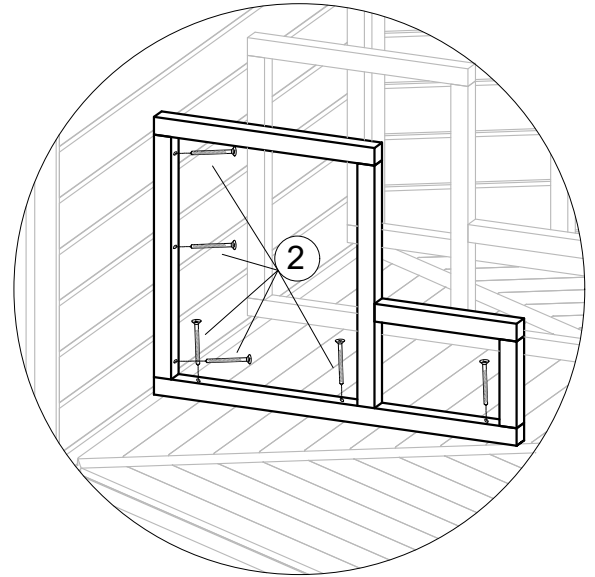
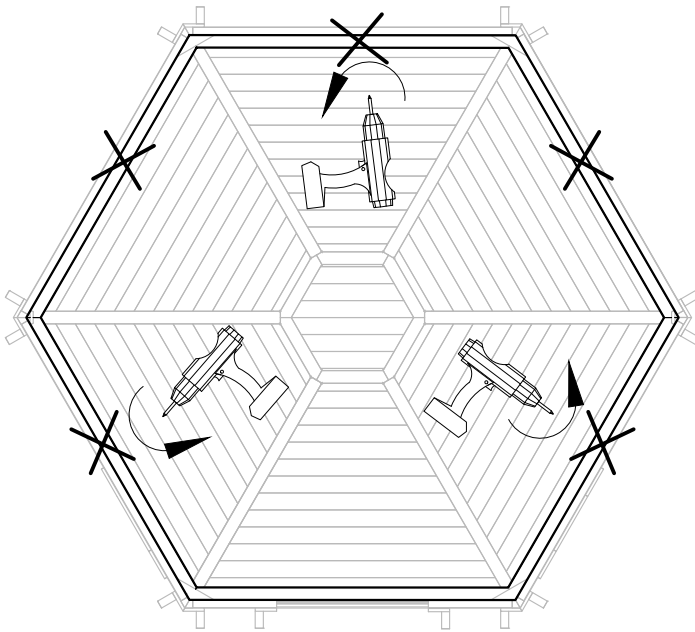


① x12
S-koja-954x705

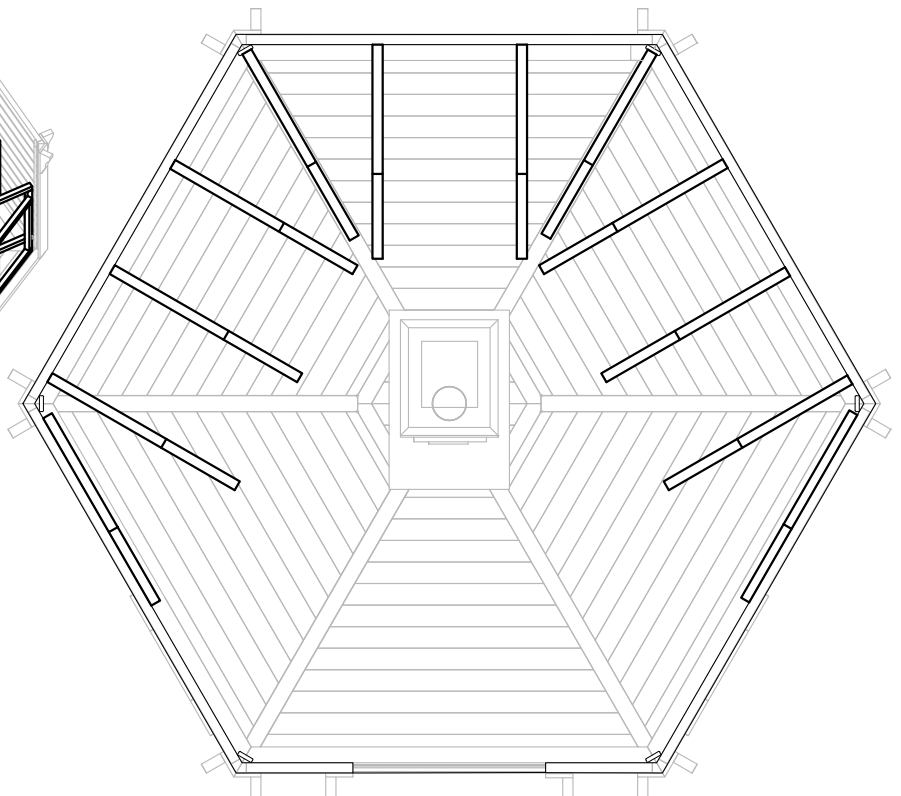
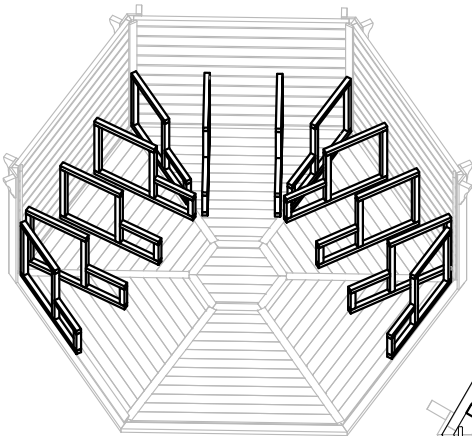


② x72
T-GC-6x80

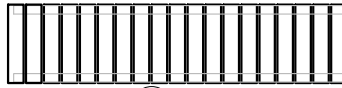
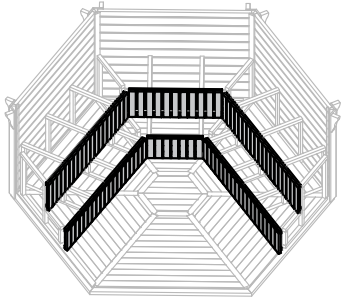
1 Step



2 Step

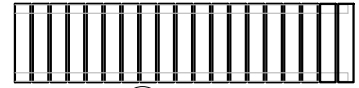


26.1 Sauna Cabin 9.2 SAUNA BENCHES



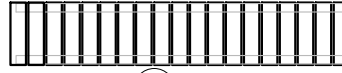
① x1

S9.2-gultas-1792x415-(k)



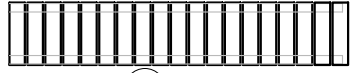
② x1

S9.2-gultas-1792x415-(d)



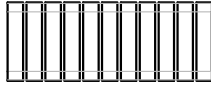
③ x1

S9.2-gultas-1792x330-(k)



④ x1

S9.2-gultas-1792x330-(d)



⑤ x1

S9.2-gultas-1792x330-(d)



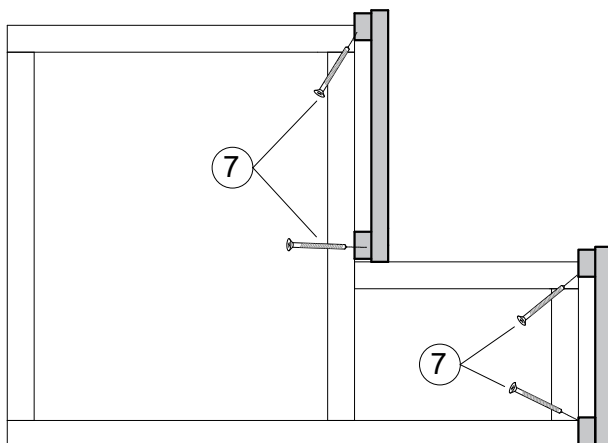
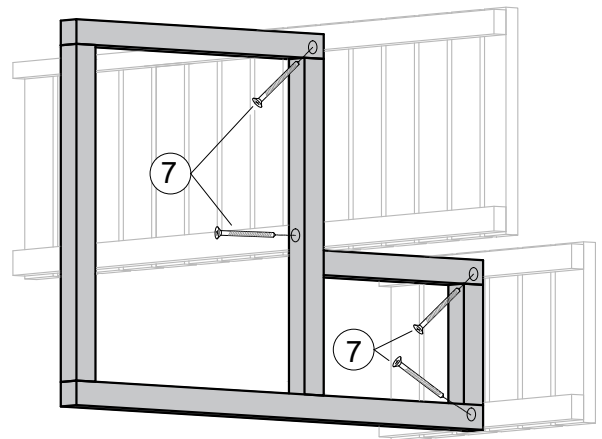
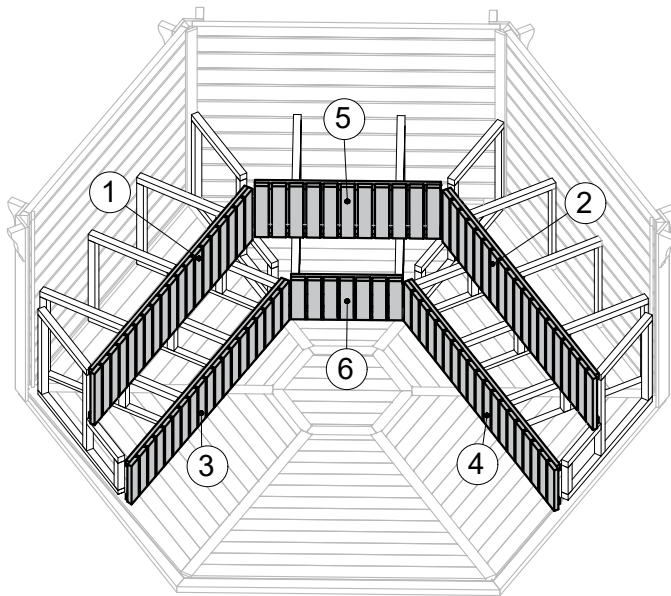
⑥ x1

S9.2-gultas-1792x330-(d)

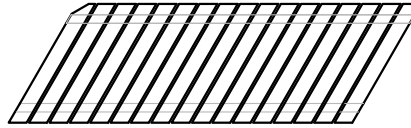
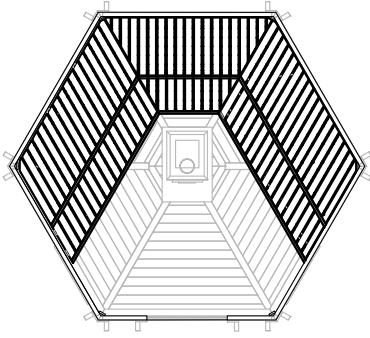


⑦ x24

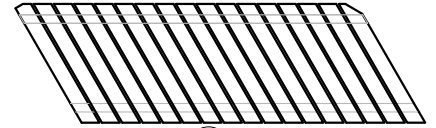
T-GC-5x80



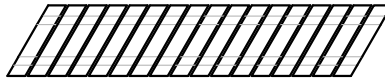
26.2 Sauna Cabin 9.2 SAUNA BENCHES



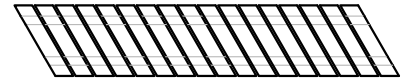
① x1
S9.2-gultas-2168x628-(k)



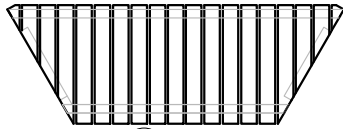
② x1
S9.2-gultas-2168x628-(d)



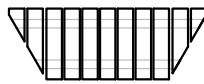
③ x1
S9.2-gultas-2034x374-(k)



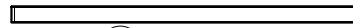
④ x1
S9.2-gultas-2034x374-(d)



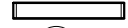
⑤ x1
S9.2-gultas-1780x628



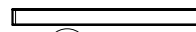
⑥ x1
S9.2-gultas-1081x415



⑦ x4
Mpl-28x82x1841-F



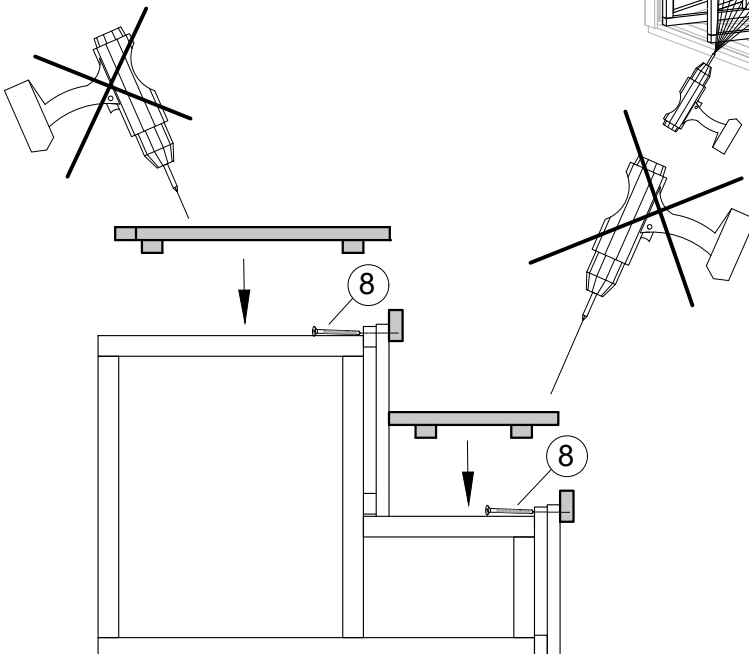
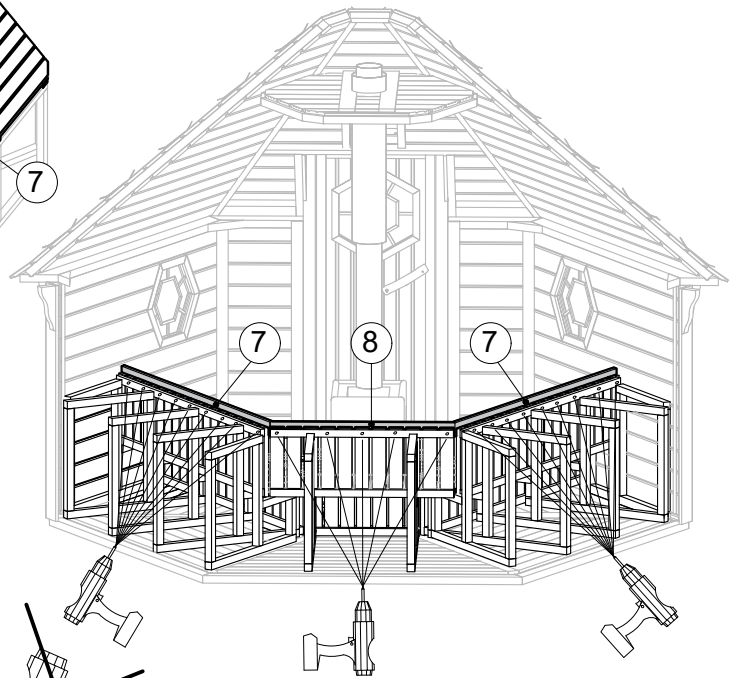
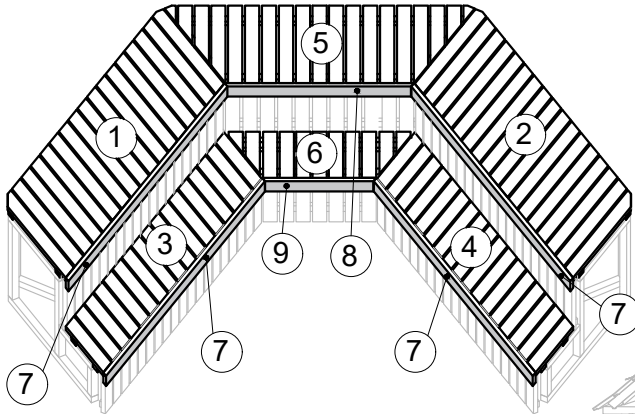
⑨ x1
Mpl-28x82x654-F



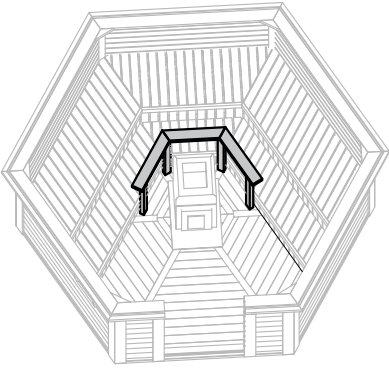
⑧ x1
Mpl-28x82x1086-F



⑩ x50
T-GC-5x80



27. Sauna Cabin 9.2 SAFETY FENCE FOR THE HEATER

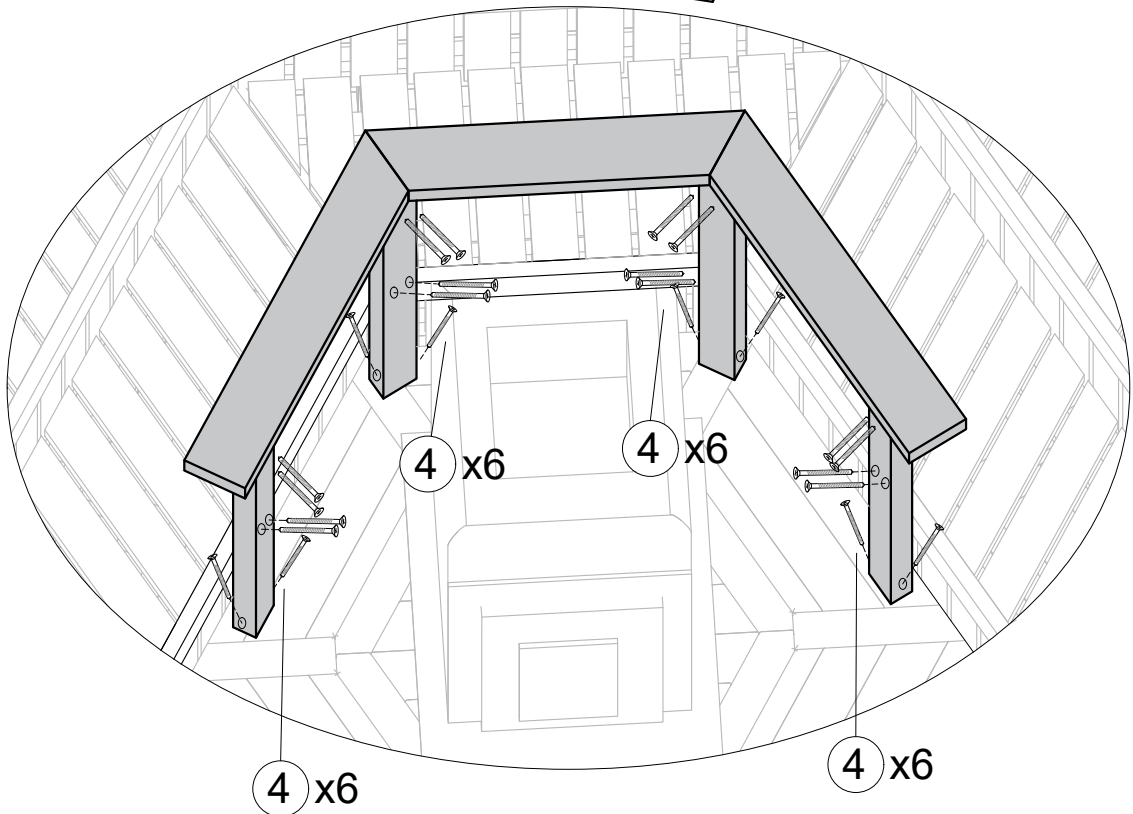
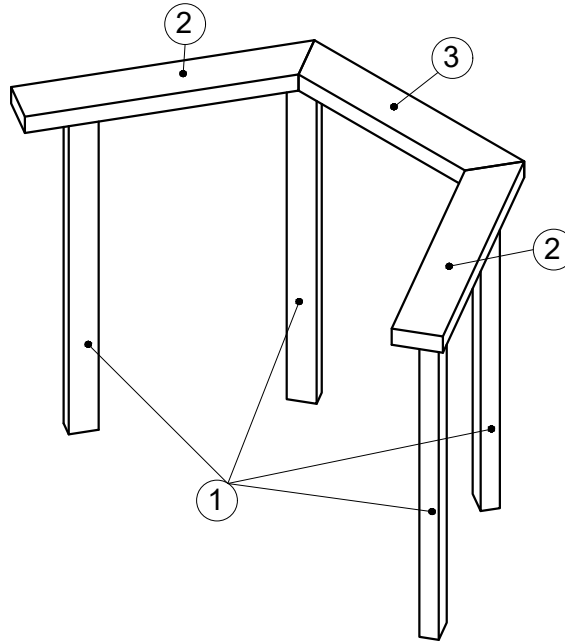


① x4
M-45x70x900

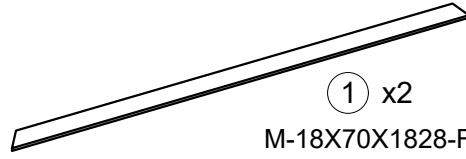
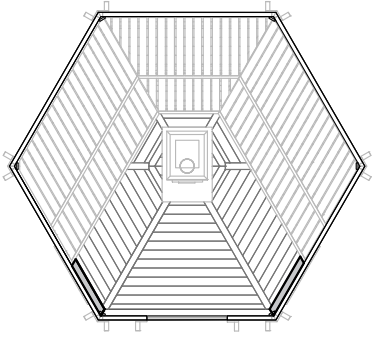
② x2
M-45x120x710-F

③ x1
M-45x120x670-F

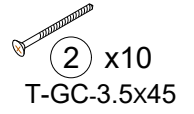
④ x20
T-GC-5x80



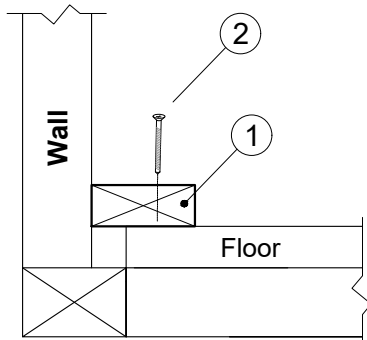
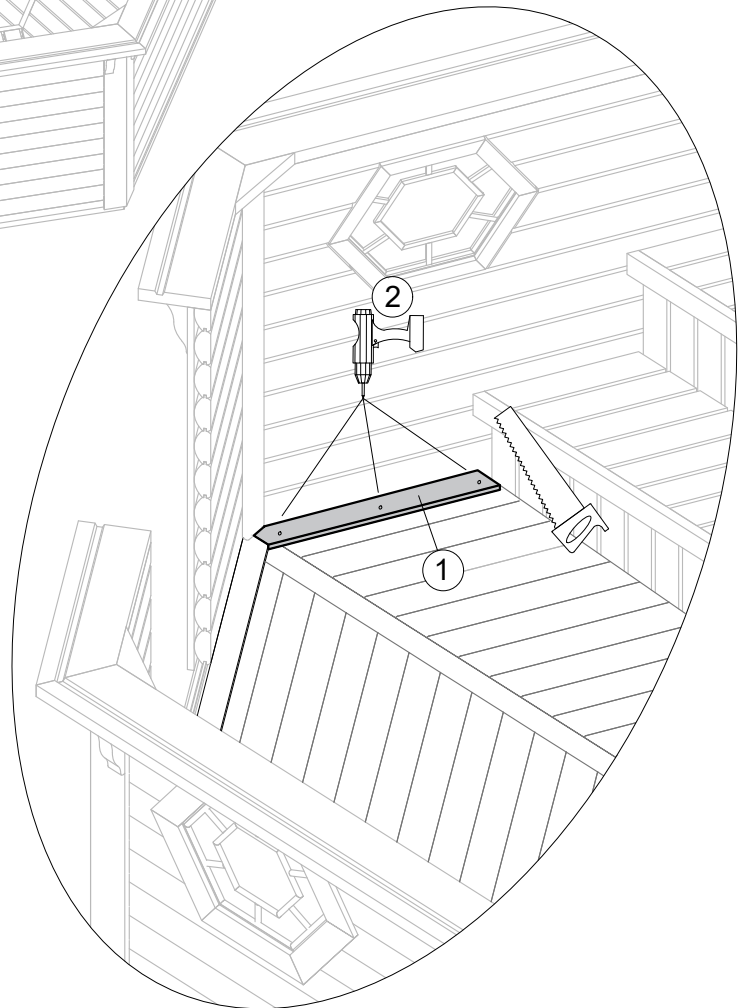
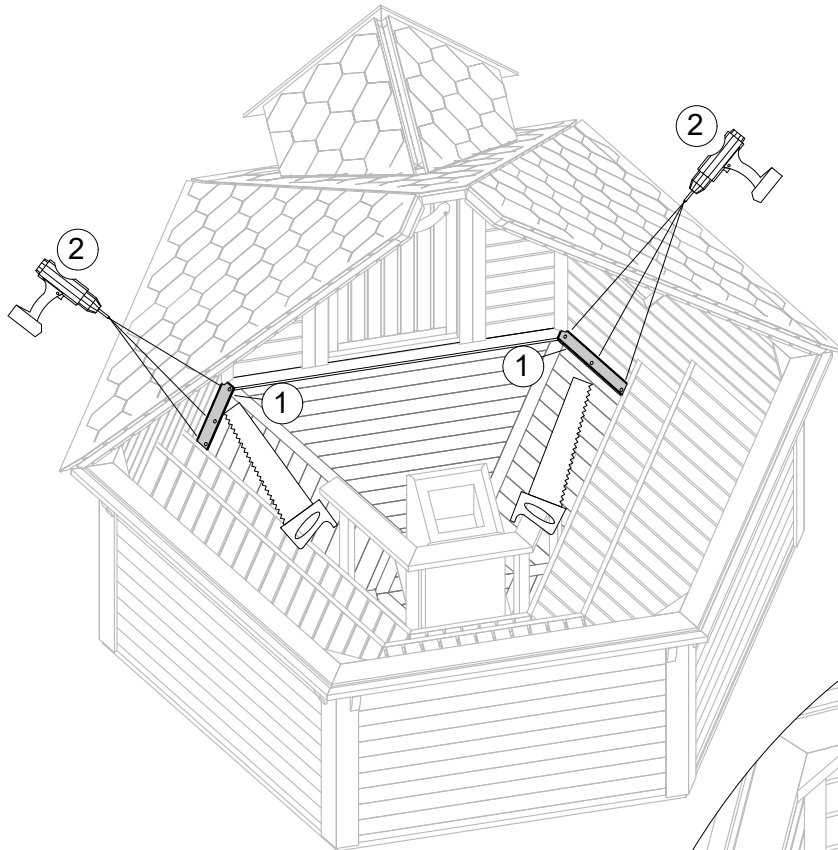
28. Sauna Cabin 9.2 INSIDE FINISHING BOARD



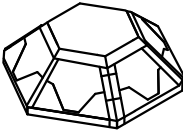
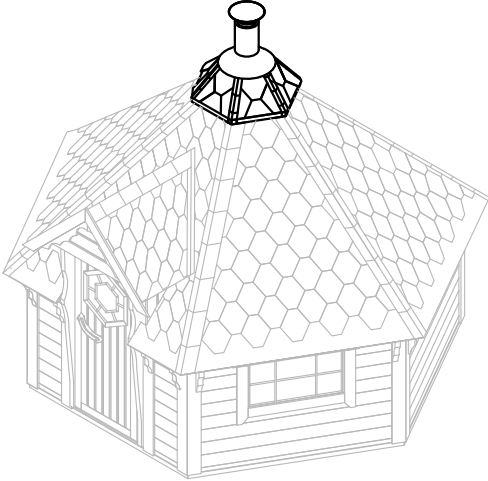
① x2
M-18X70X1828-F



② x10
T-GC-3.5x45



29. Sauna Cabin 9.2 ROOF HAT

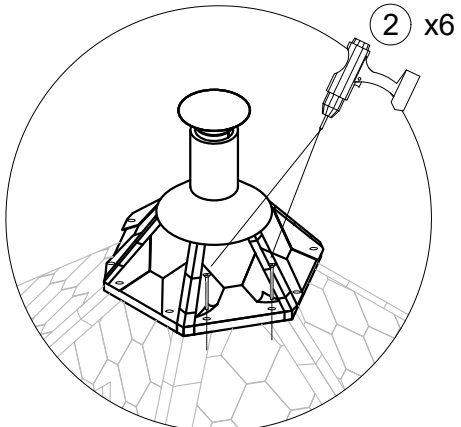
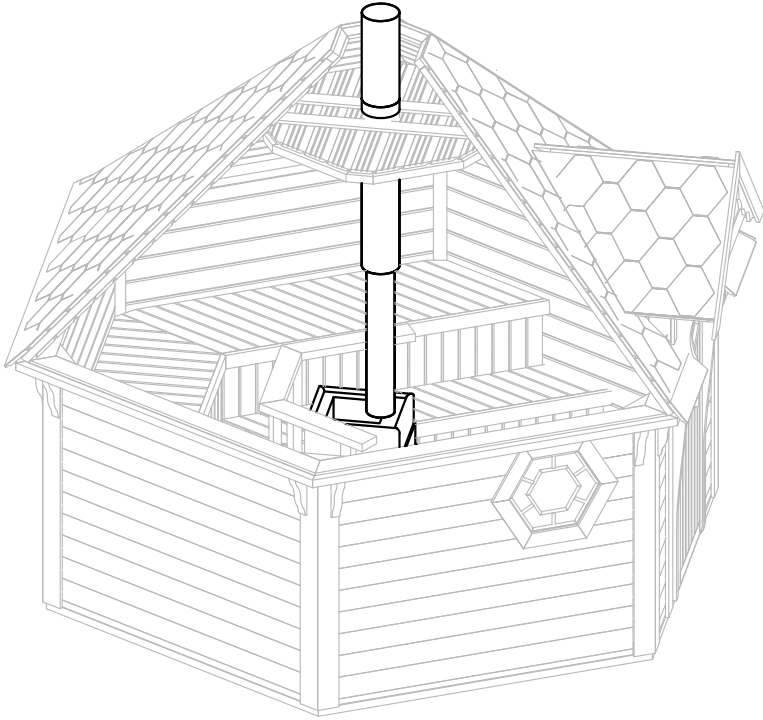
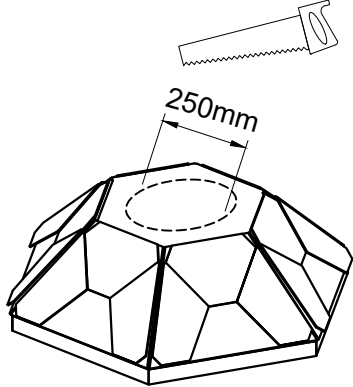
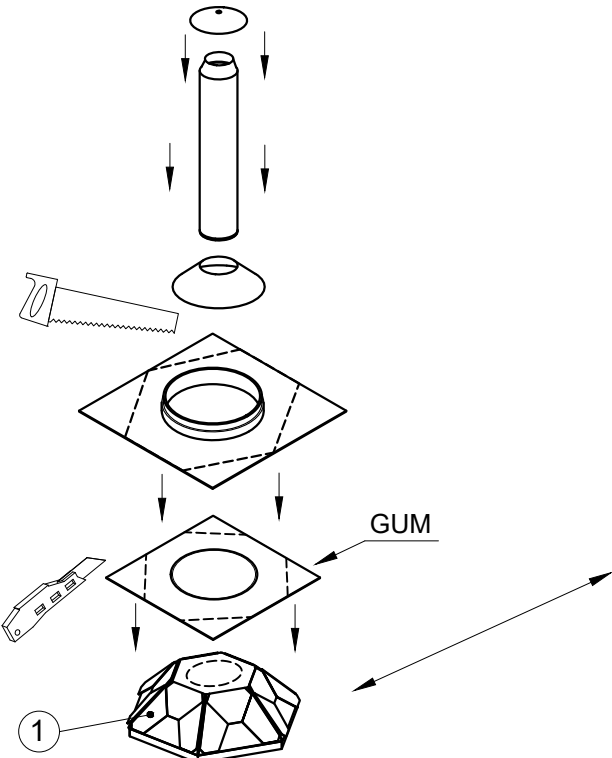


① x1
GR6k-Kepure



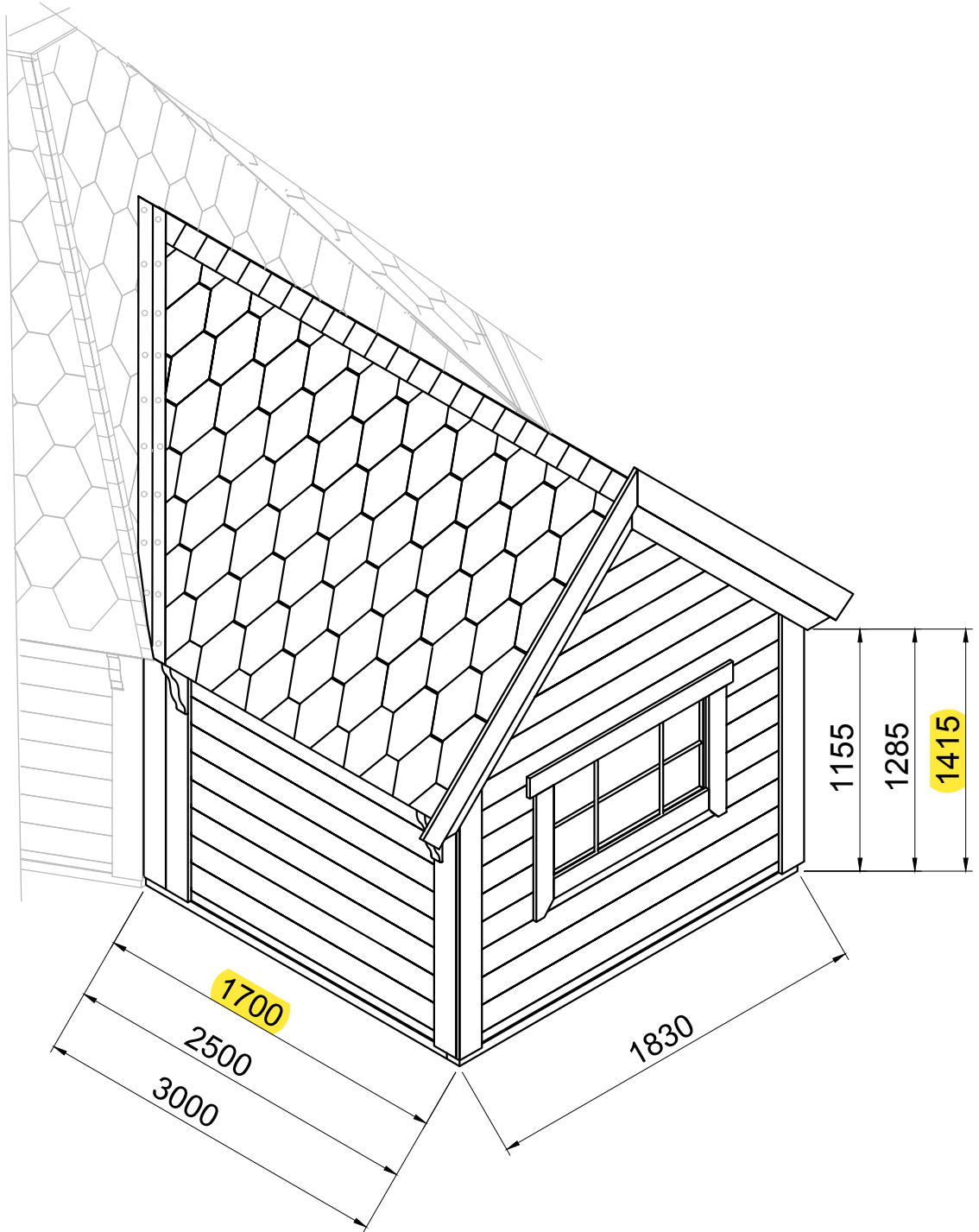
② x6
T-GC-4x70

GR6k-Kepures-dangtis



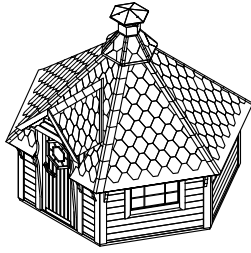


EXTENSION (3m²); (4.3m²); (5.2m²)

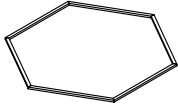


Stages of assembly

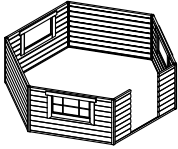
Grill



1. Step:
wood ring



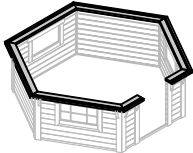
2. Step:
walls



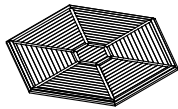
3. Step:
decoration (support)



4. Step:
roof support ring



5. Step:
floors



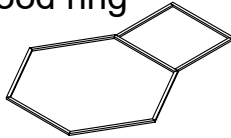
6. Step:
roof



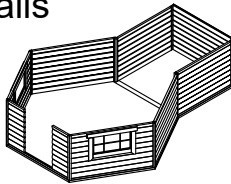
Grill+Extension



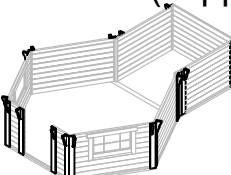
1. Step:
wood ring



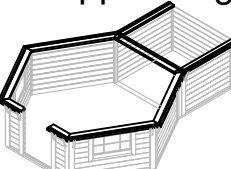
2. Step:
walls



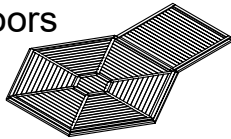
3. Step:
decoration (support)



4. Step:
roof support ring



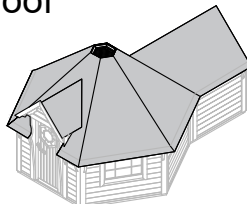
5. Step:
floors



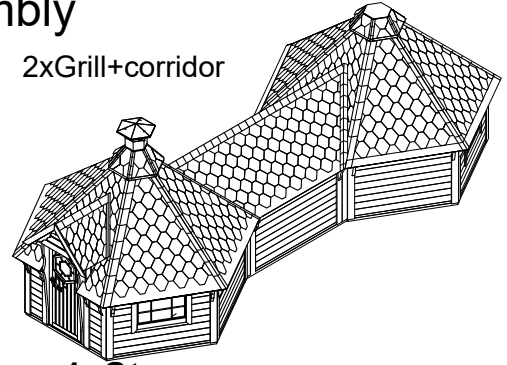
6. Step:
inside wall



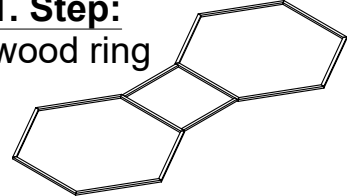
7. Step:
roof



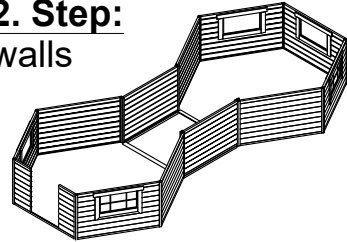
2xGrill+corridor



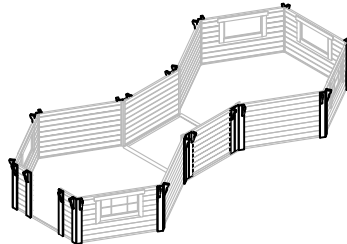
1. Step:
wood ring



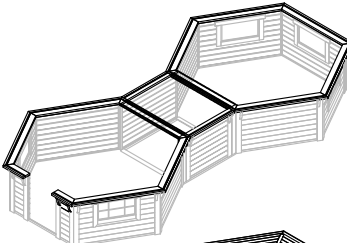
2. Step:
walls



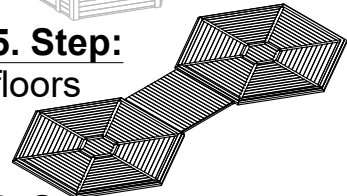
3. Step:
decoration (support)



4. Step:
roof support ring



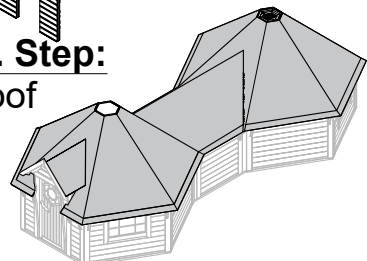
5. Step:
floors



6. Step:
inside wall



7. Step:
roof



Extension Foundation

It is very important to have a proper foundation.

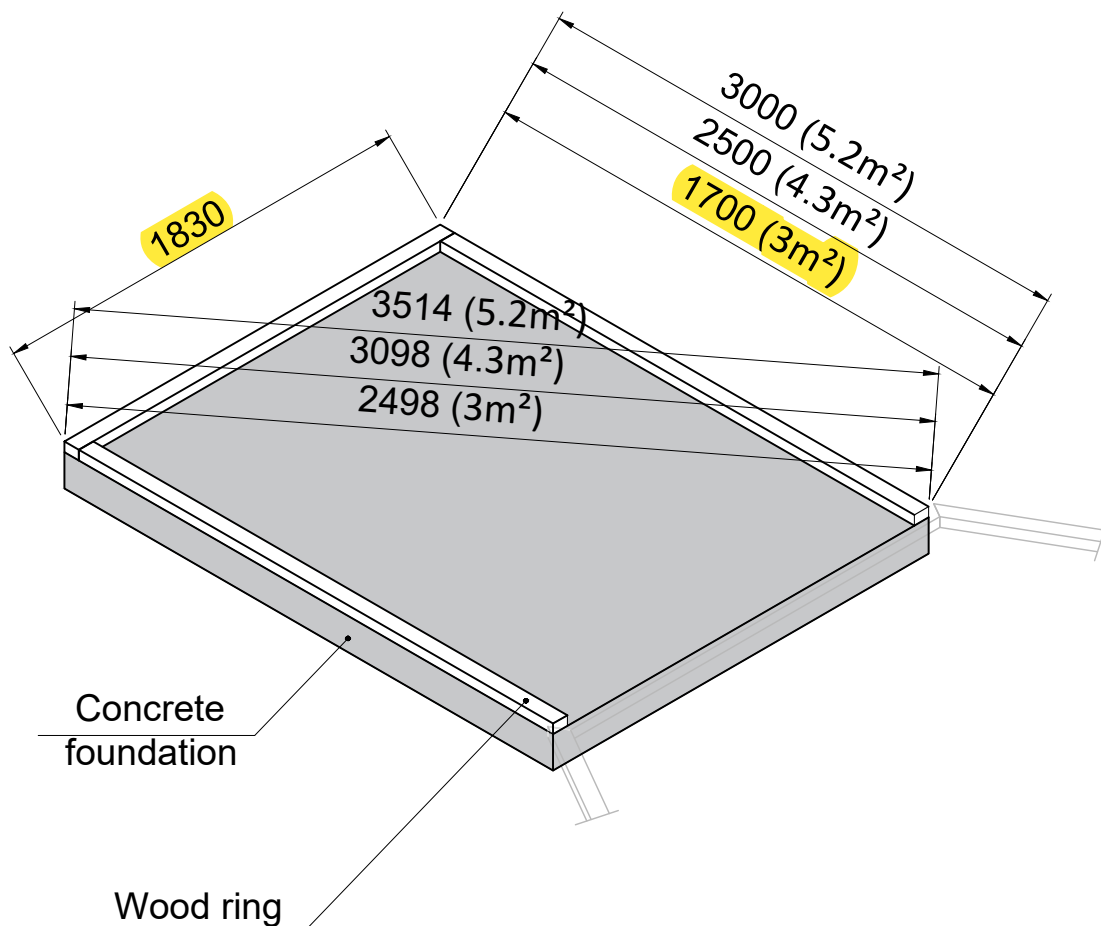
Therefore we recommend making the foundation according to the sketches here. First of all, foundation must be prepared according to the landscape and ground conditions.

The foundation under the product must be prepared specially, it must be homogeneous, tight and equal. It must be ensured that it will not change its properties. We recommend using concrete foundation. Before installation of product, we recommend to make hydro isolation of foundation.

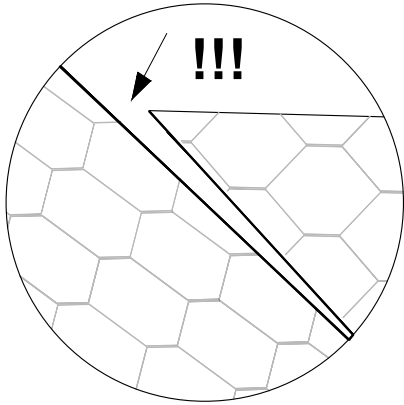
Consult a local qualified builder or an engineer to prepare a proper foundation, which fits to your location.

Due to improper foundation, cracks in the structures may occur. Due to uneven product seating, the geometric shape of the product may change, which can result in door / window twist, or/and gap may appear. And in the worst case product 's collapse.

If you do not follow recommendation, product will lose its warranty.

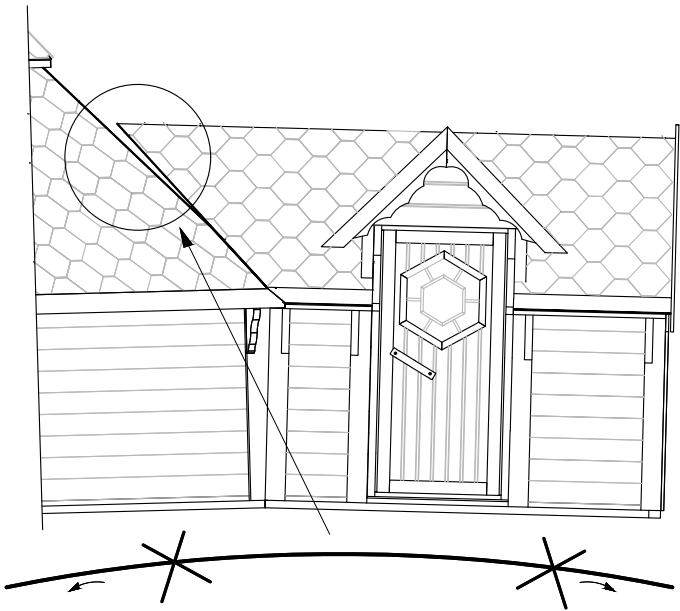


ATTENTION !!!

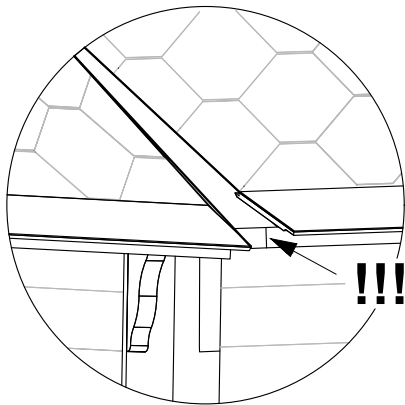


BAD
foundation →

GOOD
foundation →

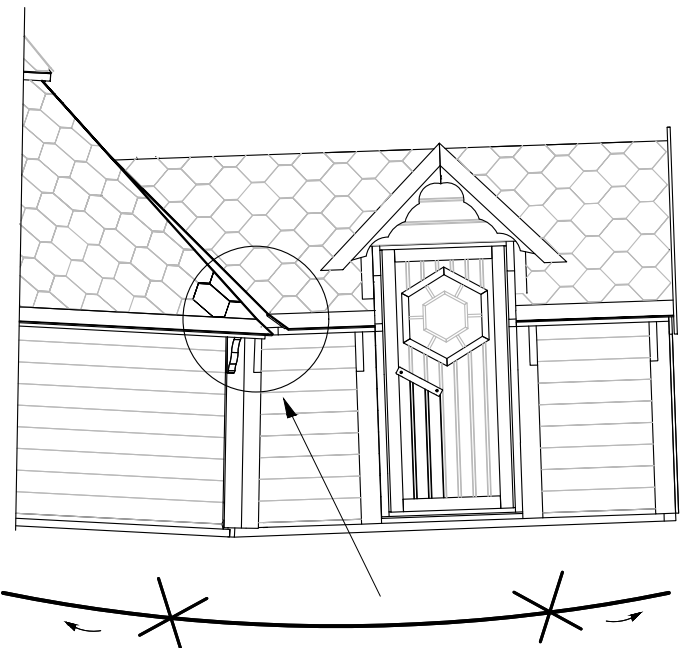


=180°



BAD
foundation →

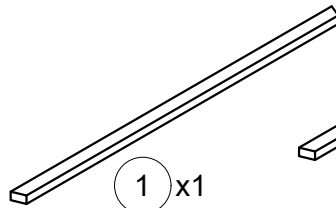
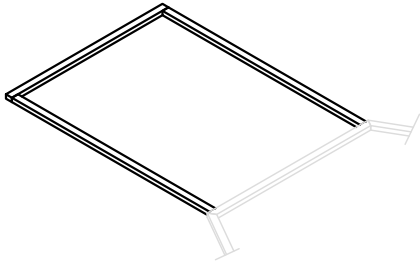
GOOD
foundation →



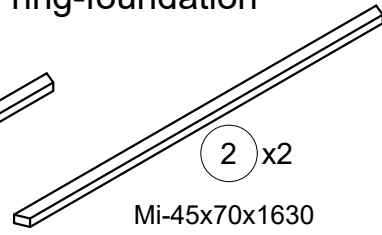
=180°



Extension Wood ring-foundation



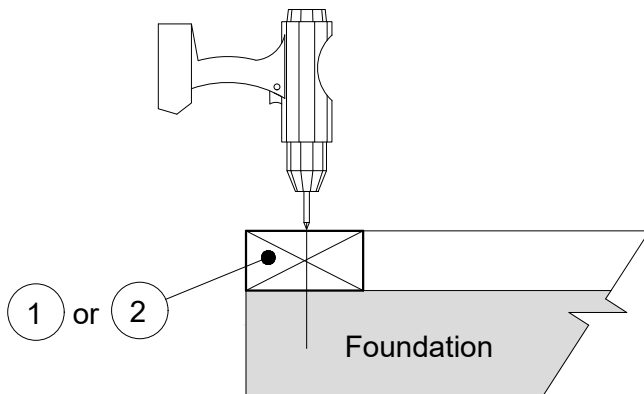
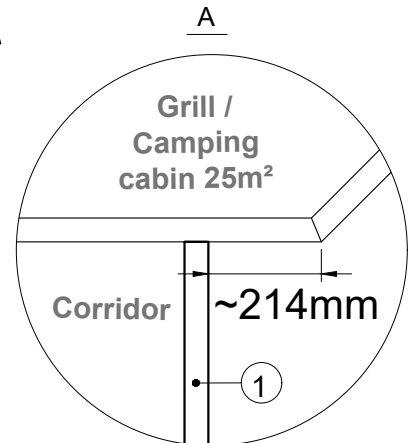
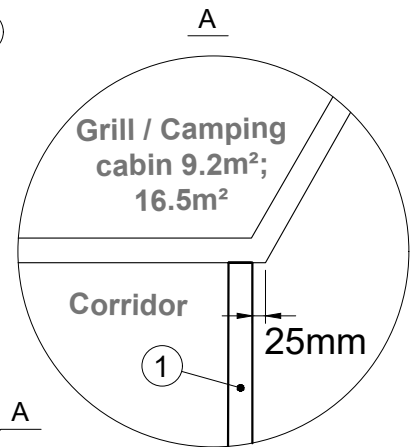
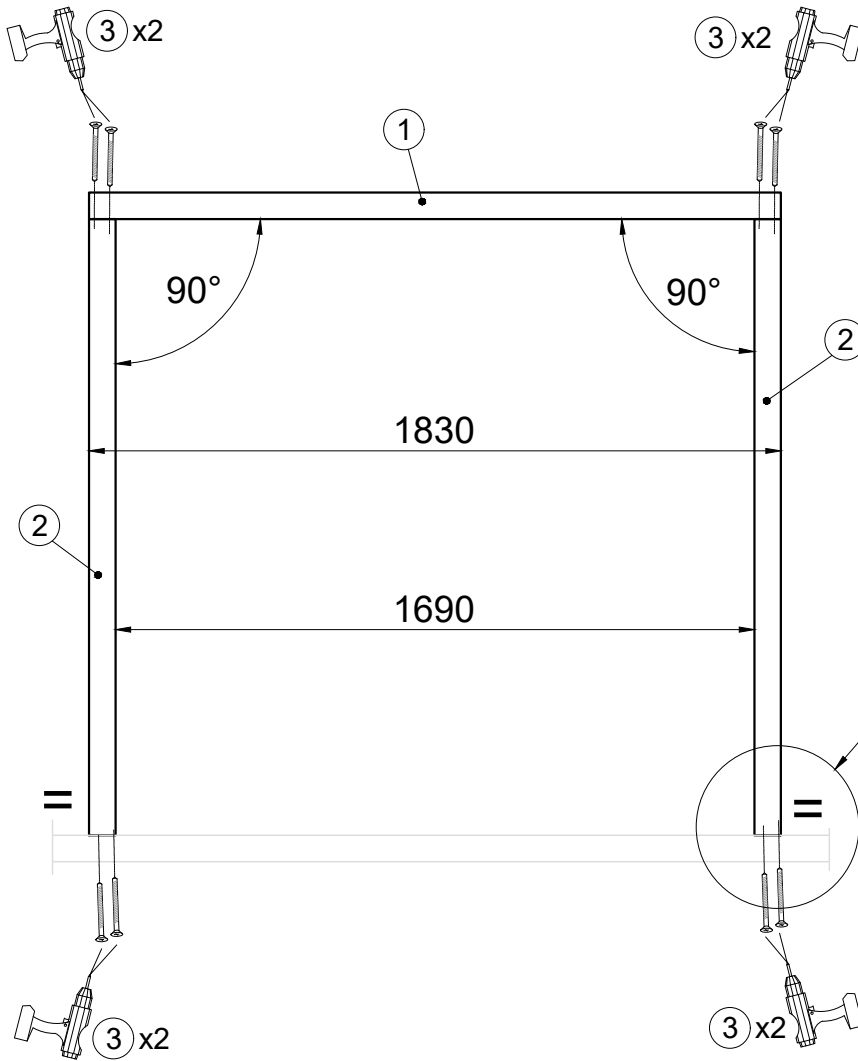
① x1
Mi-45x70x1830



② x2
Mi-45x70x1630
or
Mi-45x70x2430
or
Mi-45x70x2930

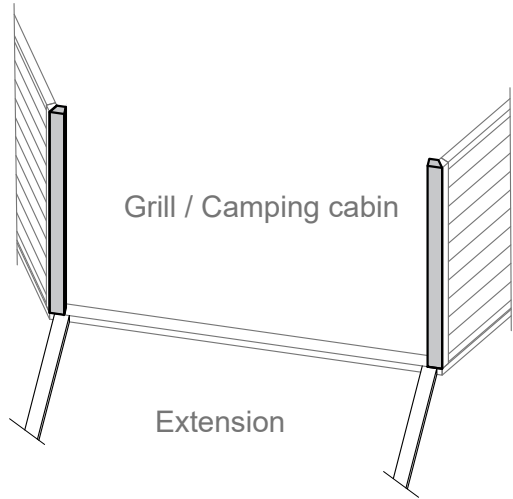


③ x8
T-GC-5x100



Empfehlung: je Fundamentbohle 10mm Dübel und 100er Schraube, auf dem Boden festdübeln

1. Extension WALLS CONNECTION

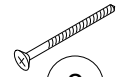


① x2

M-45x70x1155-1x30F
or
M-45x70x1155-1x22.5F

M-45x70x1285-1x30F
or
M-45x70x1285-1x22.5F

M-45x70x1415-1x30F
or
M-45x70x1415-1x22.5F



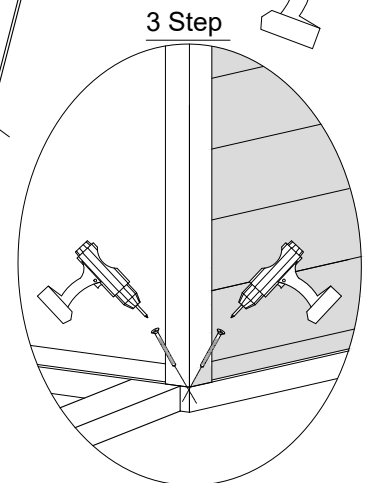
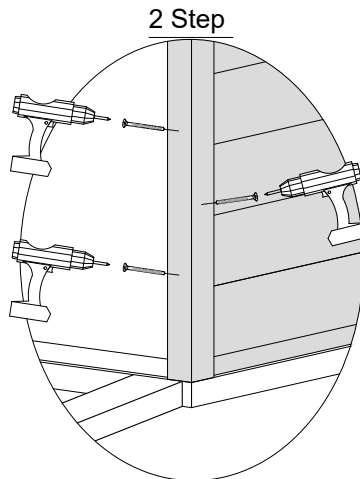
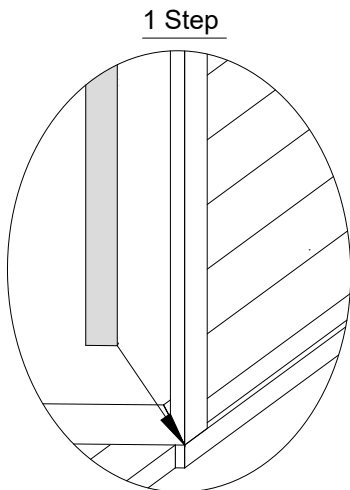
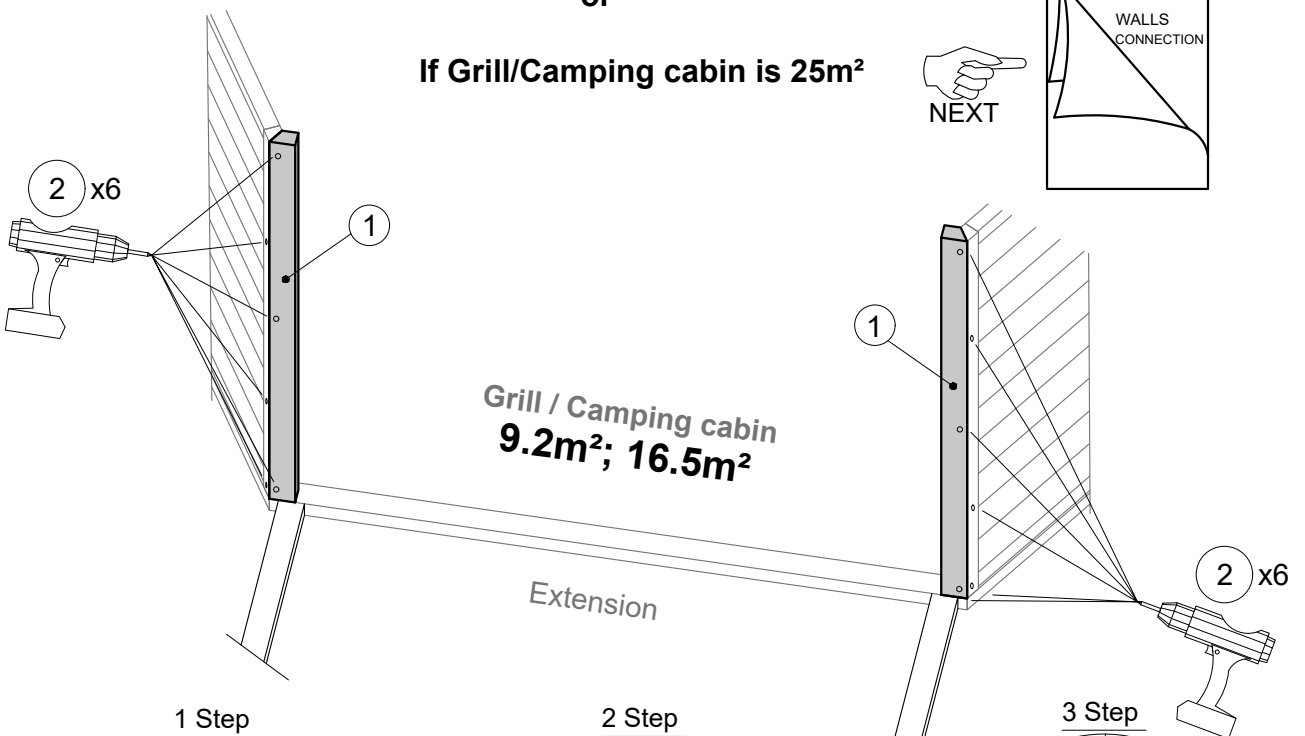
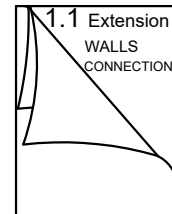
② x12

T-GC-5x100

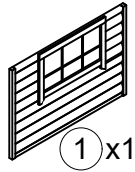
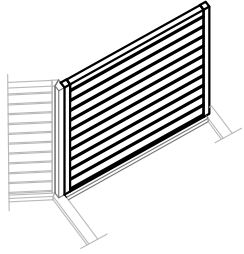
M-45x70x1155-1x30F
M-45x70x1285-1x30F - if Grill/Camping cabin is 9.2m²
M-45x70x1415-1x30F
 or
M-45x70x1155-1x22.5F
M-45x70x1285-1x22.5F - if Grill/Camping cabin is 16.5m²
M-45x70x1415-1x22.5F

or

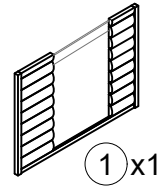
If Grill/Camping cabin is 25m²



1.1 Extension WALLS CONNECTION

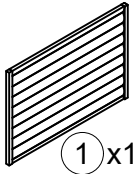


or

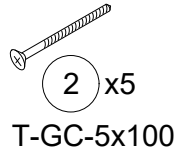
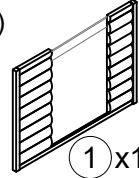


GR-EX-SSL-1155x1655(2455;2955)
or
GR-EX-SSL-1285x1655(2455;2955)
or
GR-EX-SSL-1415x1655(2455;2955)

GR-EX-SSD-1285x1655(2455;2955)-A1070-(k)
or
GR-EX-SSD-1415x1655(2455;2955)-A1070-(k)



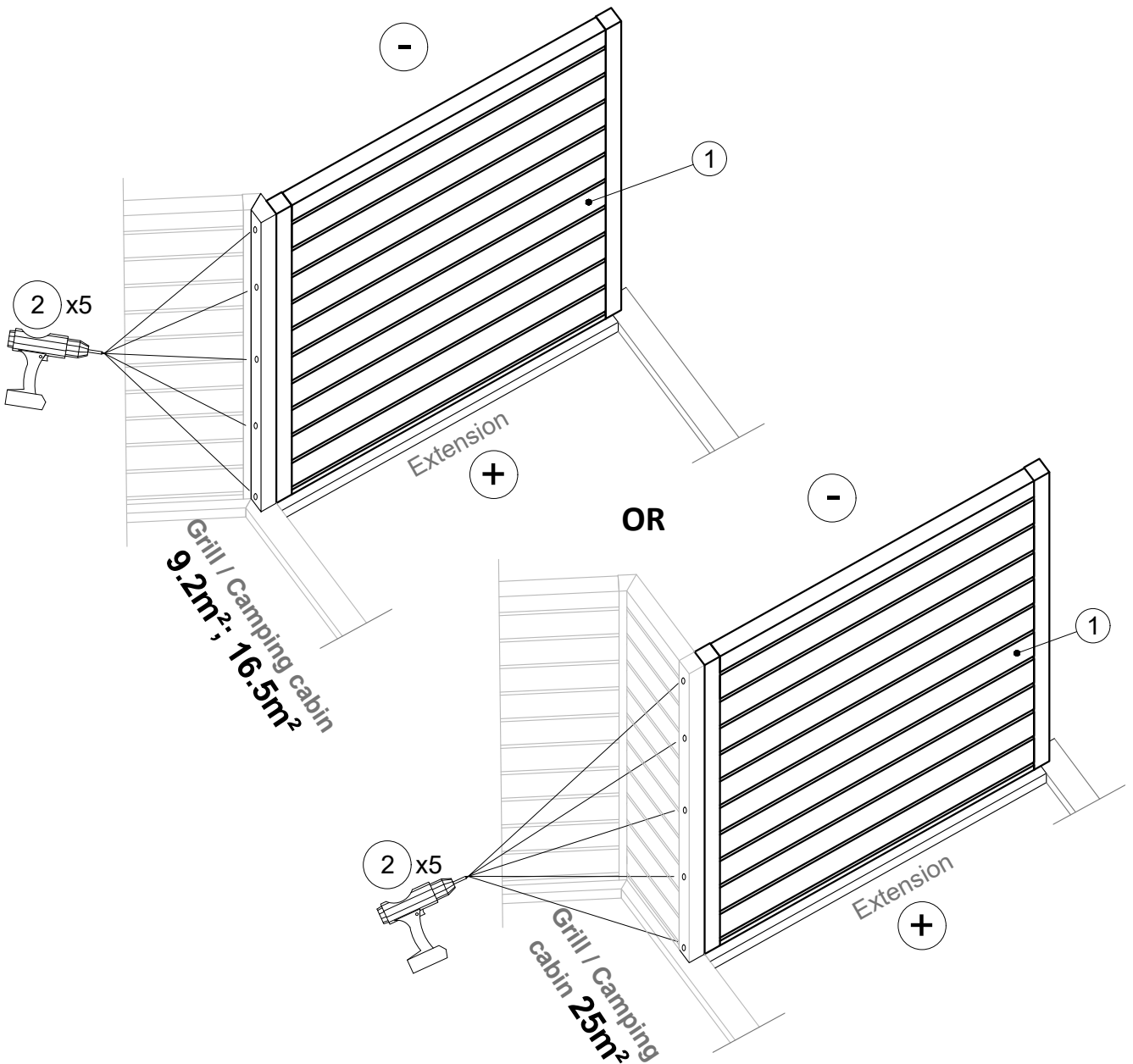
or



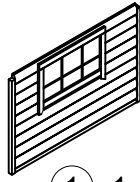
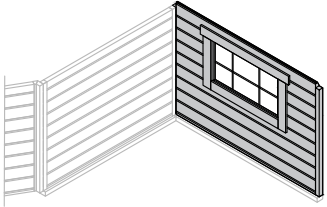
GR-EX-SS-1155x1655(2455;2955)
or
GR-EX-SS-1285x1655(2455;2955)
or
GR-EX-SS-1415x1655(2455;2955)

GR-EX-SSD-1155x1655(2455;2955)-A850-(k)
or
GR-EX-SSD-1285x1655(2455;2955)-A850-(k)
or
GR-EX-SSD-1415x1655(2455;2955)-A850-(k)

T-GC-5x100



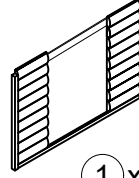
1.2 Extension WALLS CONNECTION



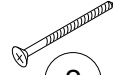
① x1

or

GR-EX-GSL-1210x1830
or
GR-EX-GSL-1340x1830
or
GR-EX-GSL-1470x1830

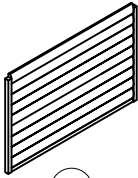


① x1



② x7

T-GC-5x100

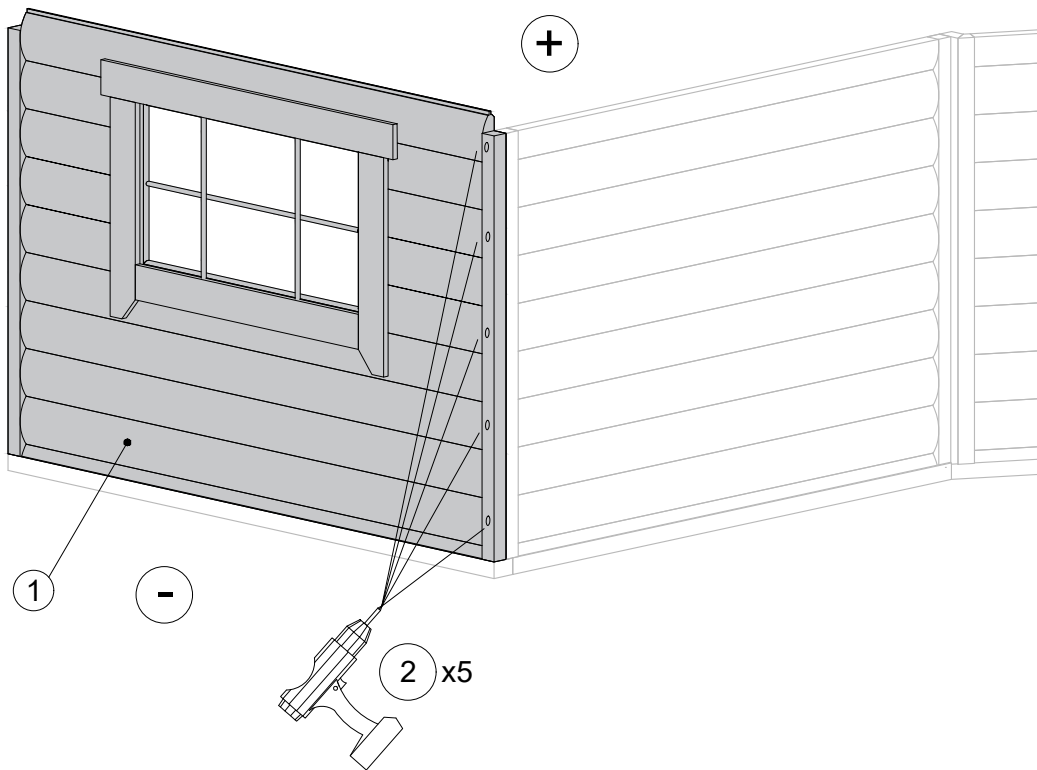


① x1

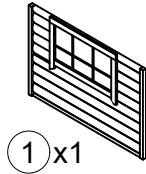
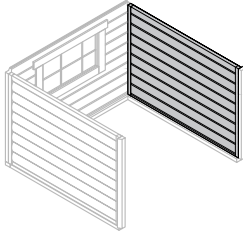
GR-EX-GS-1210x1830
or
GR-EX-GS-1340x1830
or
GR-EX-GS-1470x1830

or

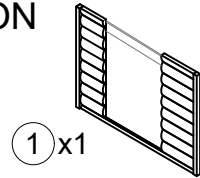
GR-EX-GSD-1210x1830-A796
or
GR-EX-GSD-1340x1830-A796
or
GR-EX-GSD-1340x1830-A1010
or
GR-EX-GSD-1470x1830-A796
or
GR-EX-GSD-1470x1830-A1010



1.3 Extension WALLS CONNECTION

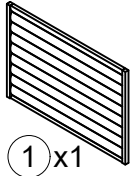


or

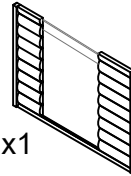


GR-EX-SSL-1155x1655(2455;2955)
or
GR-EX-SSL-1285x1655(2455;2955)
or
GR-EX-SSL-1415x1655(2455;2955)

GR-EX-SSD-1285x1655(2455;2955)-A1070-(d)
or
GR-EX-SSD-1415x1655(2455;2955)-A1070-(d)

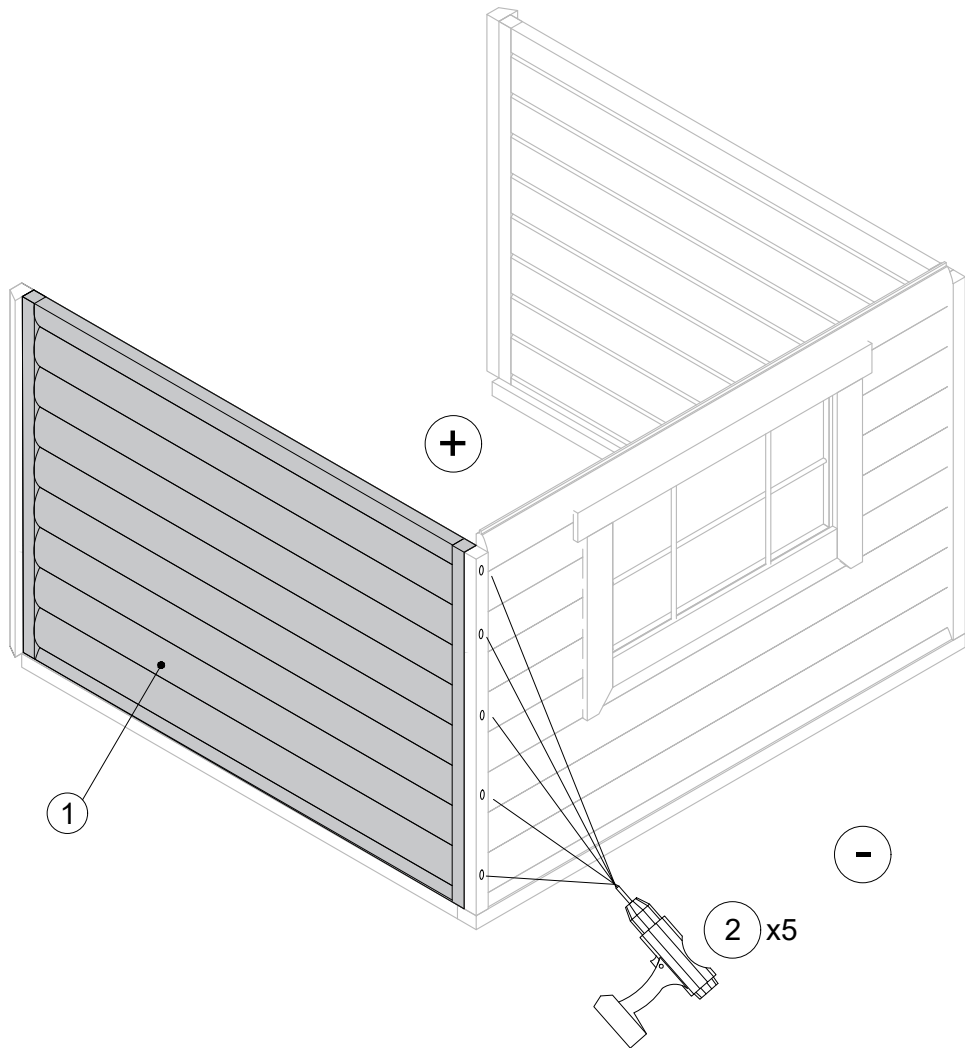
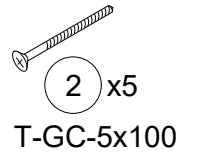


or

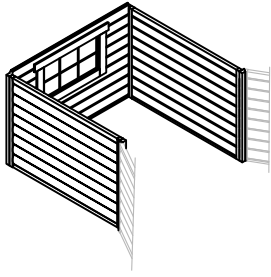


GR-EX-SS-1155x1655(2455;2955)
or
GR-EX-SS-1285x1655(2455;2955)
or
GR-EX-SS-1415x1655(2455;2955)

GR-EX-SSD-1155x1655(2455;2955)-A850-(d)
or
GR-EX-SSD-1285x1655(2455;2955)-A850-(d)
or
GR-EX-SSD-1415x1655(2455;2955)-A850-(d)



1.4 Extension WALLS CONNECTION

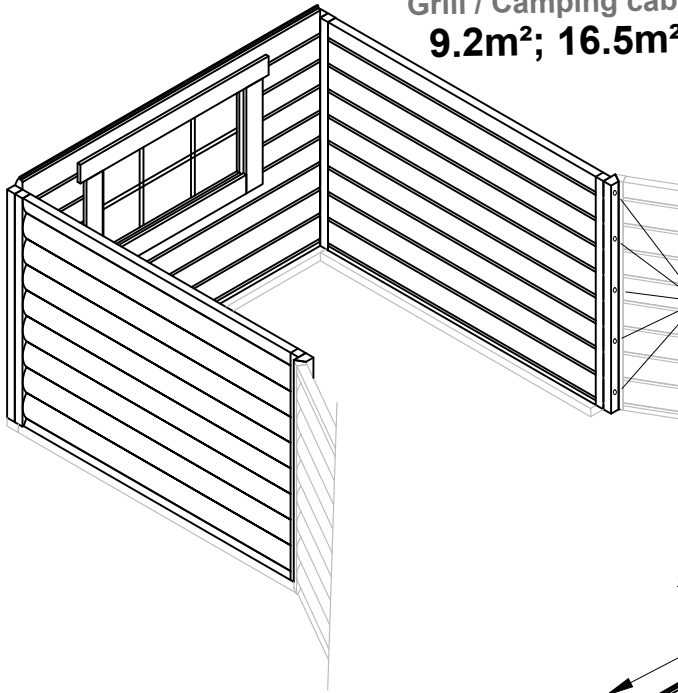


1 x11
T-GC-5x100

1 Step

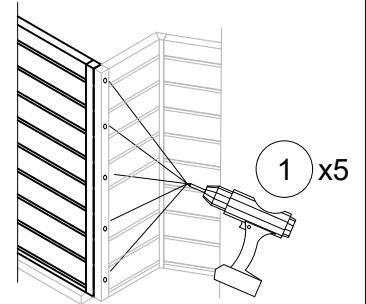
Grill / Camping cabin
9.2m²; 16.5m²

Grill / Camping cabin
25m²



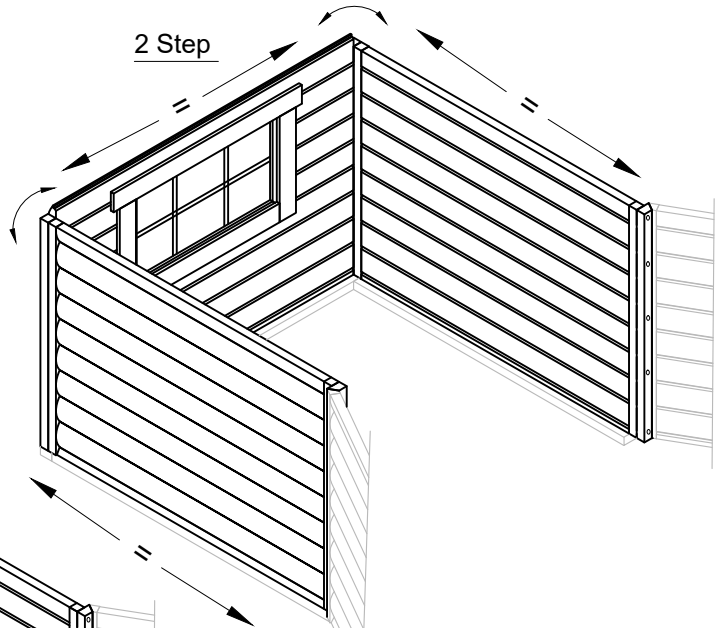
OR

1 x5

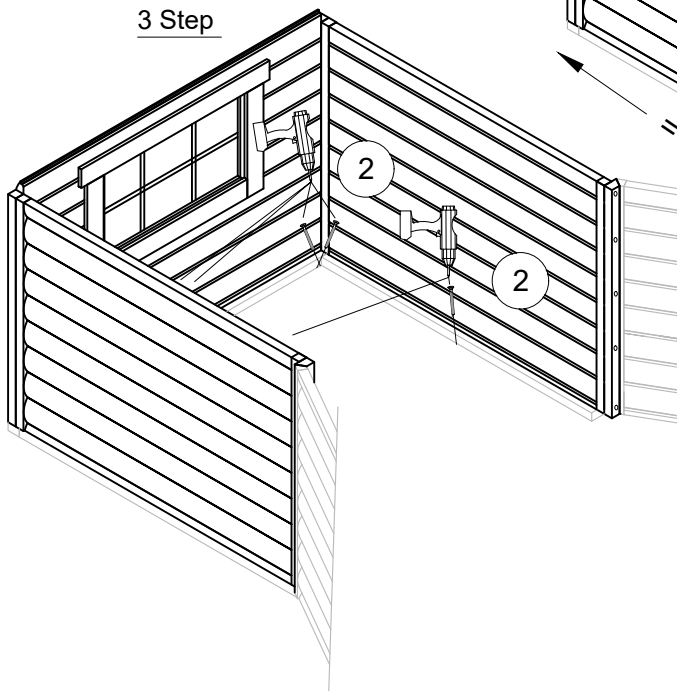


1 x5

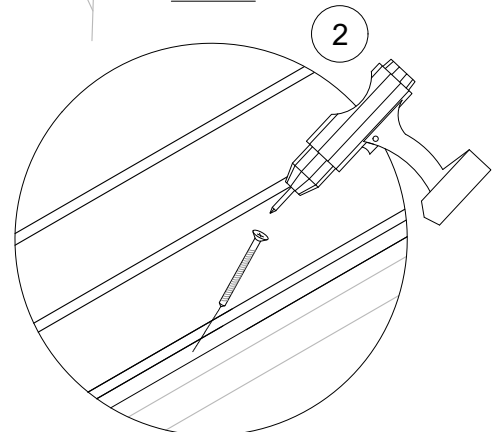
2 Step



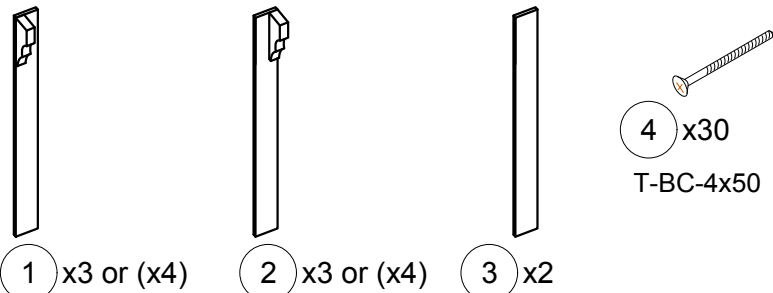
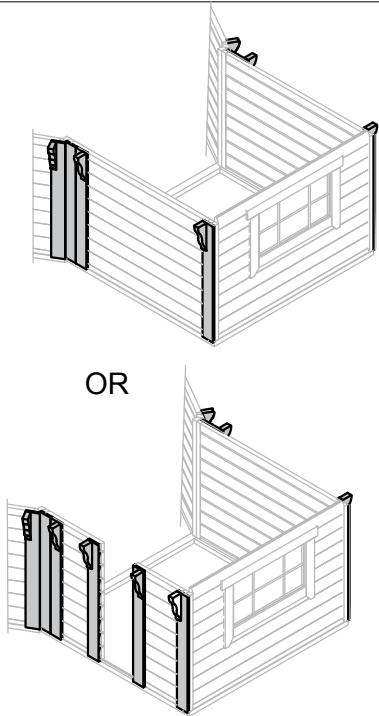
3 Step



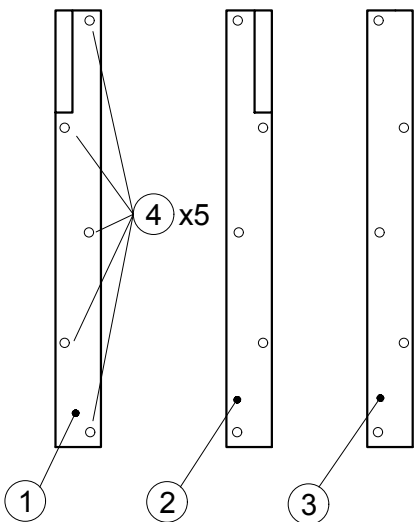
3 Step



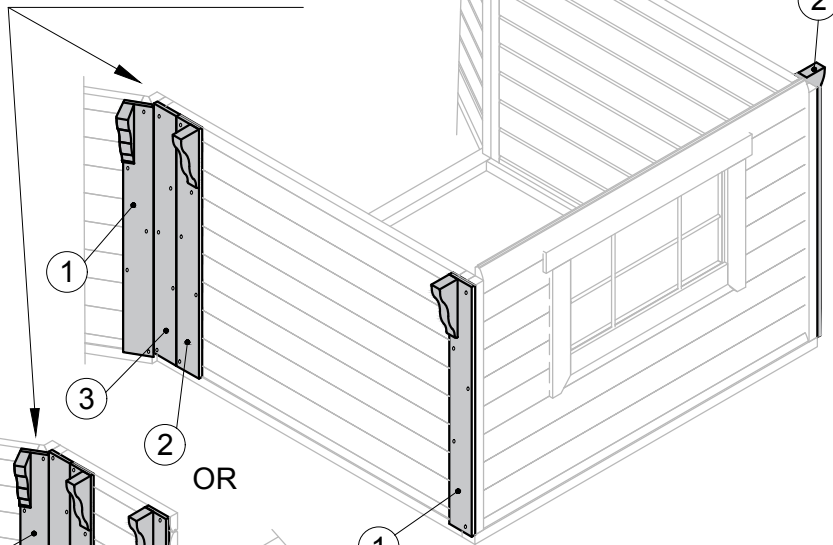
2. Extension DECORATION (SUPPORT) OUTSIDE



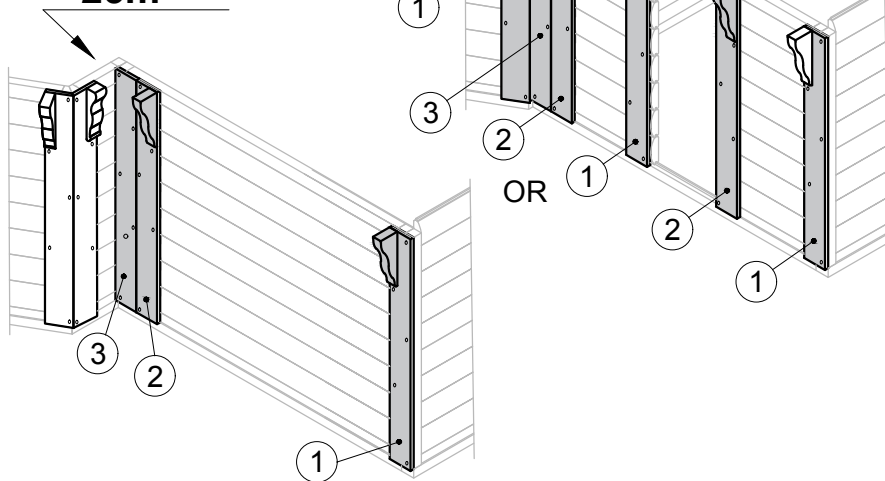
① x3 or (x4)	② x3 or (x4)	③ x2
GR-Apd(k)-1155 or GR-Apd(k)-1285 or GR-Apd(k)-1415	GR-Apd(d)-1155 or GR-Apd(d)-1285 or GR-Apd(d)-1415	M-18x95-1155 or M-18x95-1285 or M-18x95-1415



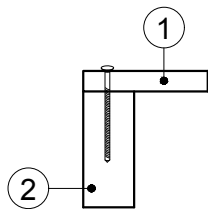
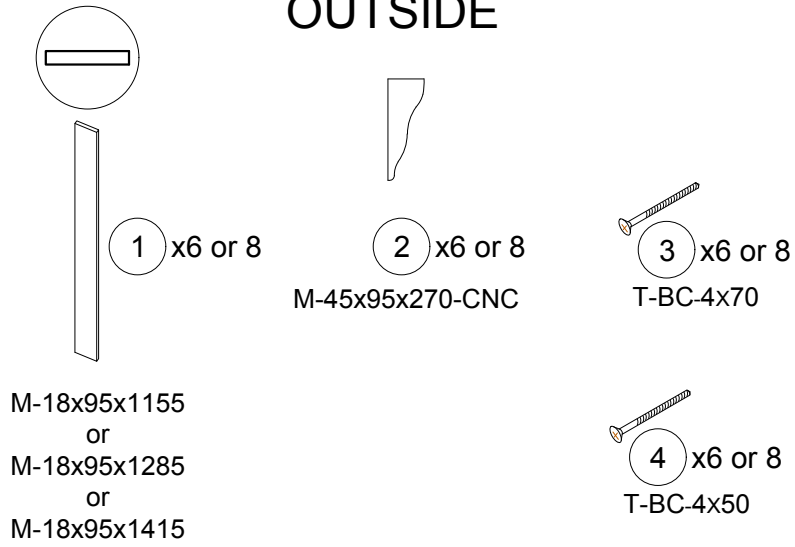
Grill / Camping cabin
9.2m²; 16.5m²



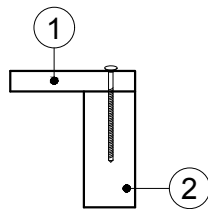
Grill / Camping cabin
25m²



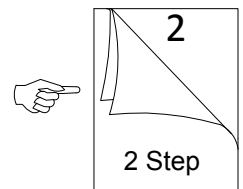
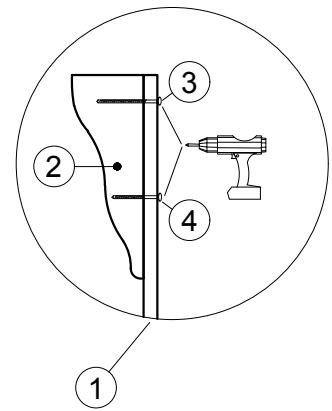
2.1 Extension DECORATION (SUPPORT) OUTSIDE



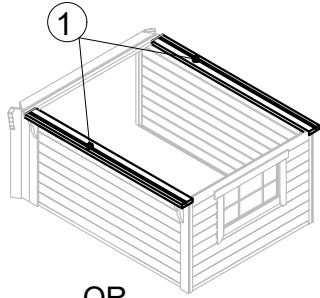
GR-Apd(k)-1155
or
GR-Apd(k)-1285
or
GR-Apd(k)-1415



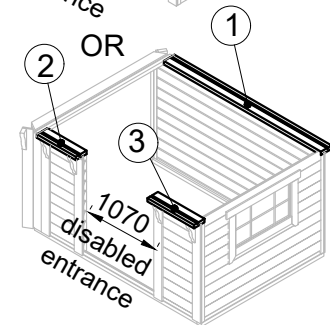
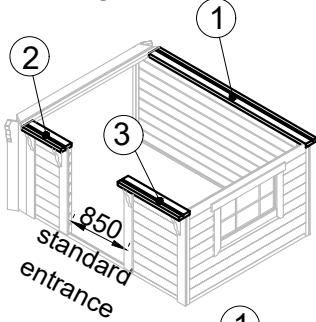
GR-Apd(d)-1155
or
GR-Apd(d)-1285
or
GR-Apd(d)-1415



3. Extension ROOF SUPPORT RING

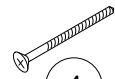


OR



1 x2

M-45x160x1550-F
or
M-45x160x2350-F
or
M-45x160x2850-F



4 x22

T-GC-5x100

1 x1

M-45x160x2350-F
or
M-45x160x2850-F

2 x1

M-45x160x583-F

3 x1

M-45x160x917-F
or
M-45x160x1417-F

1 x1

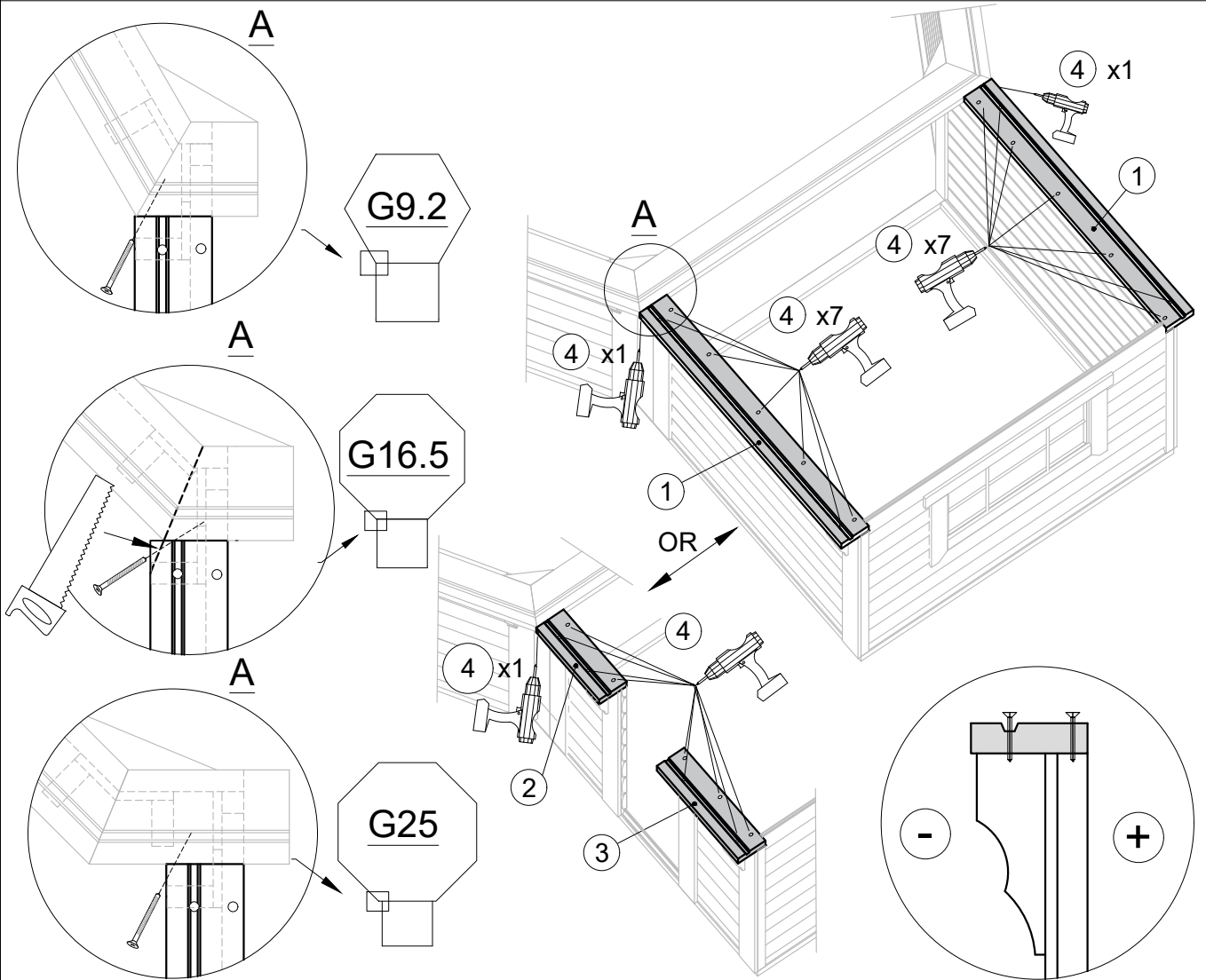
M-45x160x2350-F
or
M-45x160x2850-F

2 x1

M-45x160x583-F

3 x1

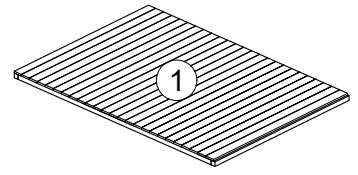
M-45x160x697-F
or
M-45x160x1197-F



4. Extension FLOORS

① x1

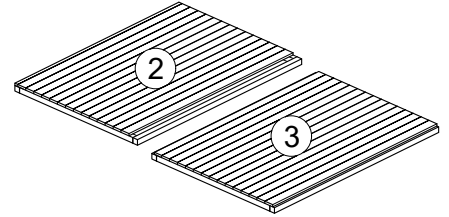
GR-EX3-Grind(Spunt)-1620x1680
 or
 GR-EX3-I-Grind(Spunt)-1620x1680
 or
 GR-EX4.3-Grind(Spunt)-2420x1680
 or
 GR-EX4.3-I-Grind(Spunt)-2420x1680



OR

② x1

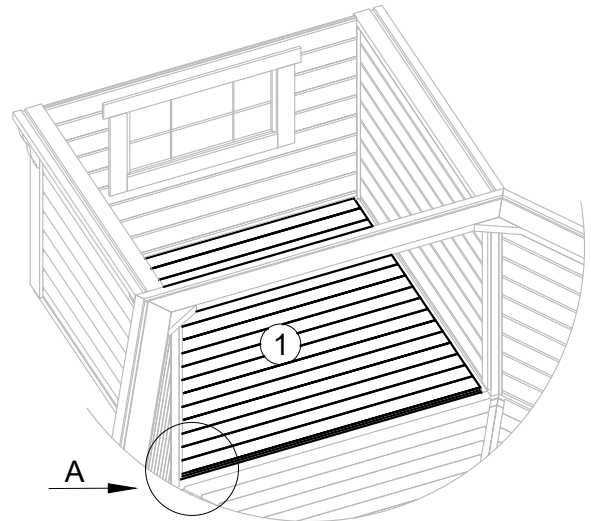
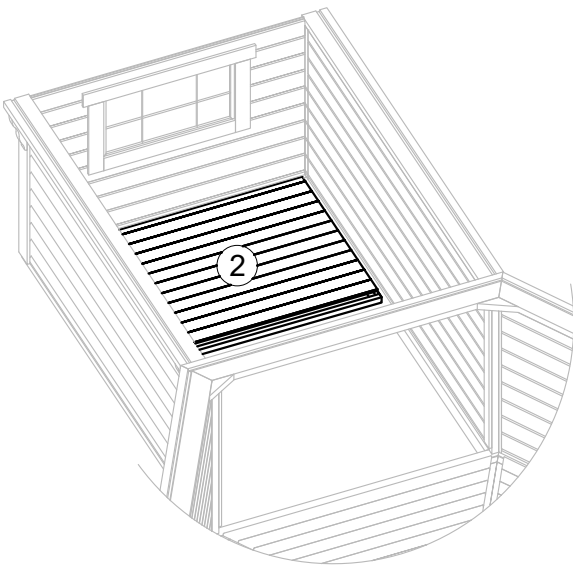
GR-EX5.2-Grind(Spunt)1-1460x1680
 or
 GR-EX5.2-I-Grind(Spunt)1-1460x1680



③ x1

GR-EX5.2-Grind(Spunt)2-1460x1680
 or
 GR-EX5.2-I-Grind(Spunt)2-1460x1680

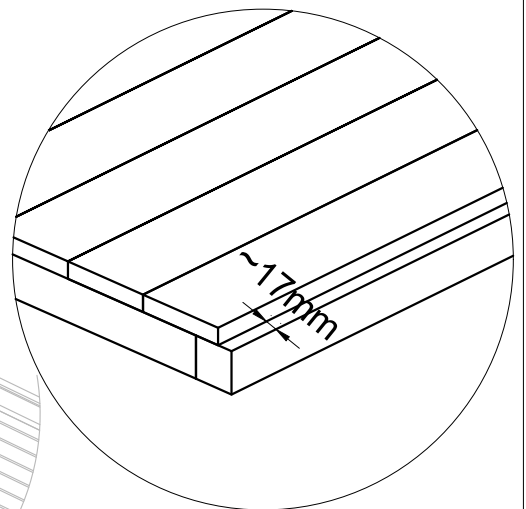
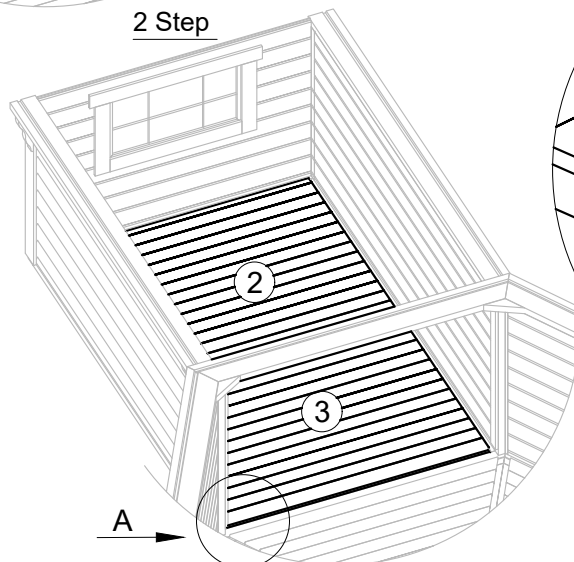
1 Step



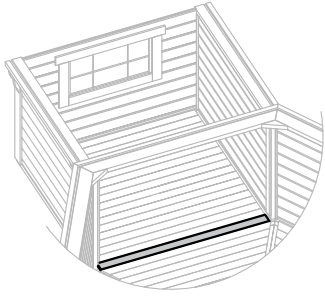
OR

A

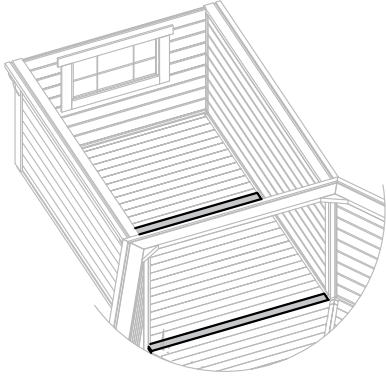
2 Step



5. Extension FLOORS FINISHING BOARDS



OR

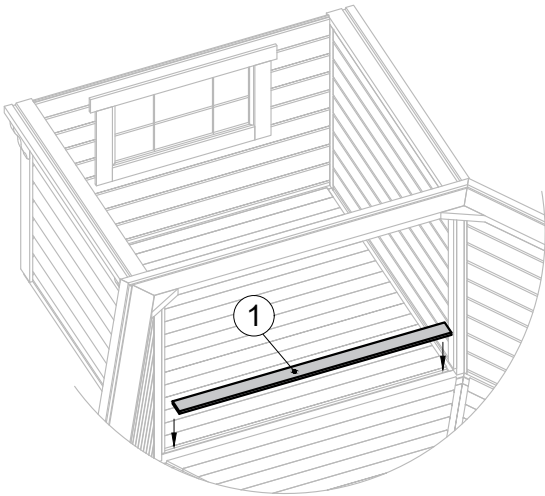


① x1 or (x2)

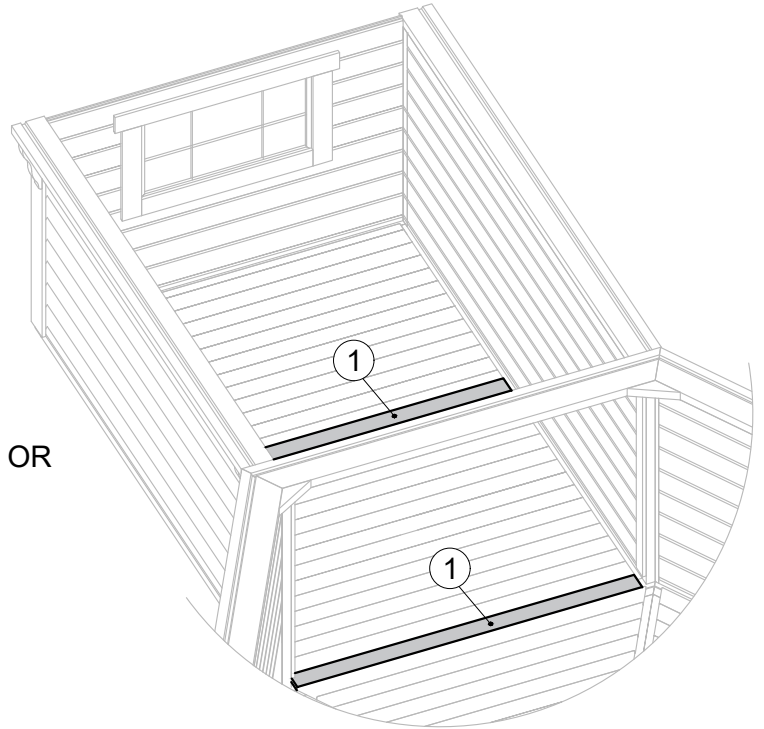
M-18x95x1680
or
Spunt-28x95x1680



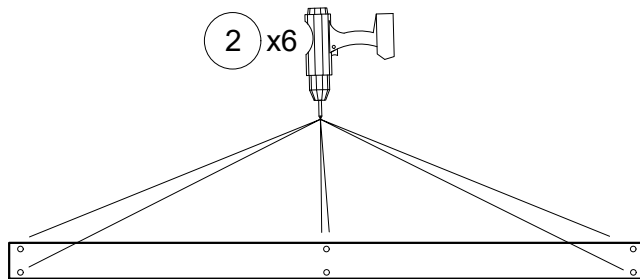
② x6 or (x12)
T-GC-3.5x45

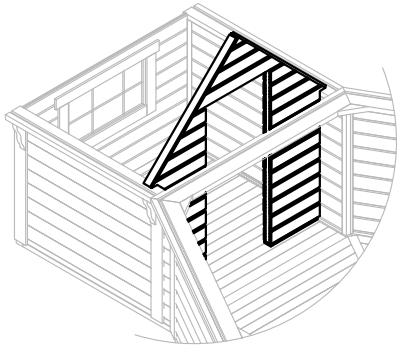


OR

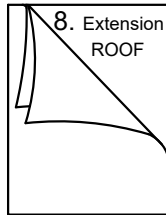
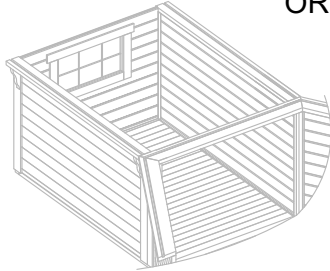


② x6

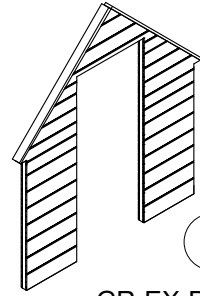




OR



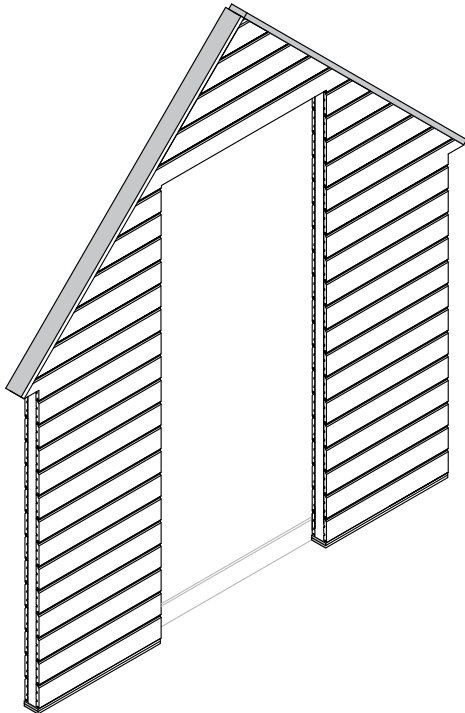
6. Extension INSIDE WALL



1 x1

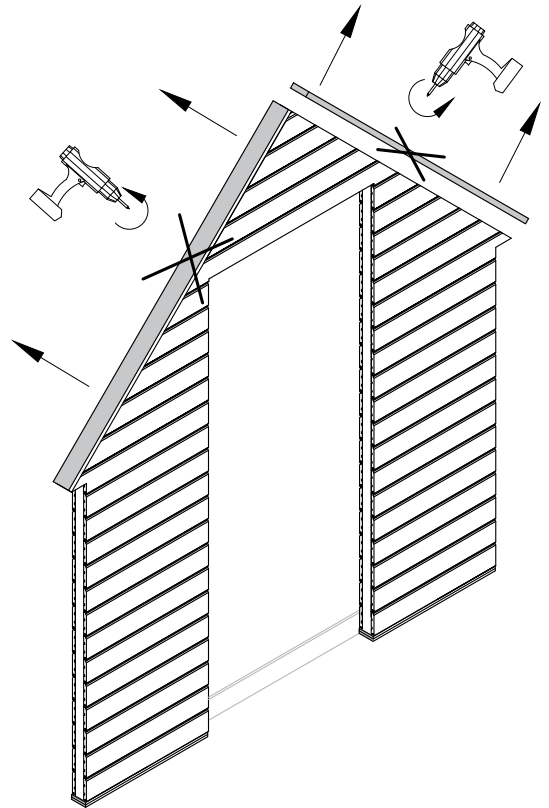
GR-EX-Pertv-1857x2093-A700
or
GR-EX-Pertv-1857x2223-A700
or
GR-EX-Pertv-1857x2223-A1010
or
GR-EX-Pertv-1857x2353-A700
or
GR-EX-Pertv-1857x2353-A1010

COLD
ROOF

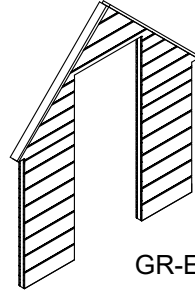
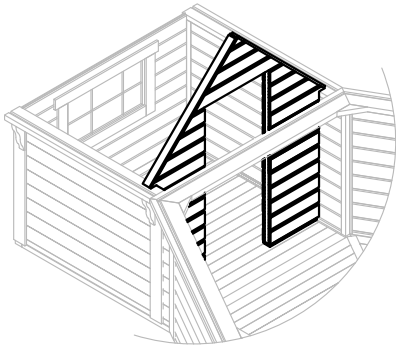


or

INSULATED
ROOF

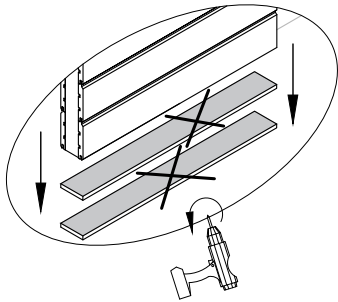



6.1 Extension INSIDE WALL



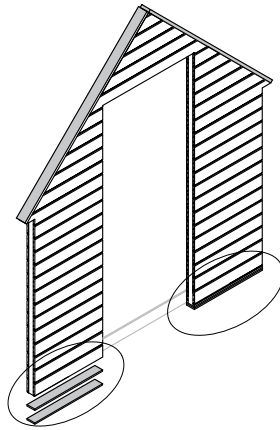
1 x1

GR-EX-Pertv-1857x2093-A700
or
GR-EX-Pertv-1857x2223-A700
or
GR-EX-Pertv-1857x2223-A1010
or
GR-EX-Pertv-1857x2353-A700
or
GR-EX-Pertv-1857x2353-A1010

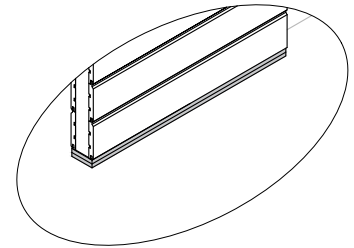


INSULATED FLOOR WITH
TONGUE AND GROOVE
BOARD 

or

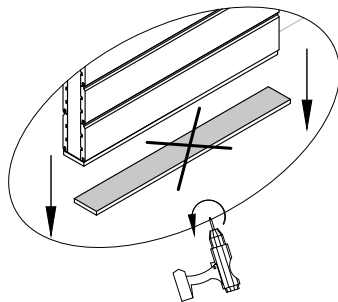



or



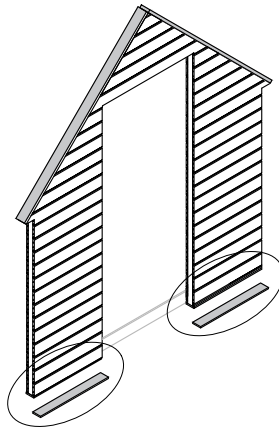
COLD FLOOR WITH
BOARD 

or

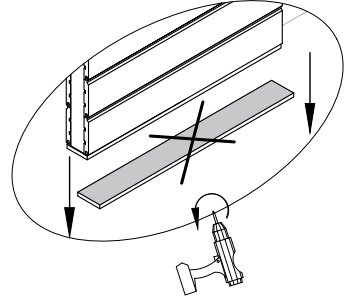


COLD FLOOR WITH TONGUE
AND GROOVE BOARD 

or

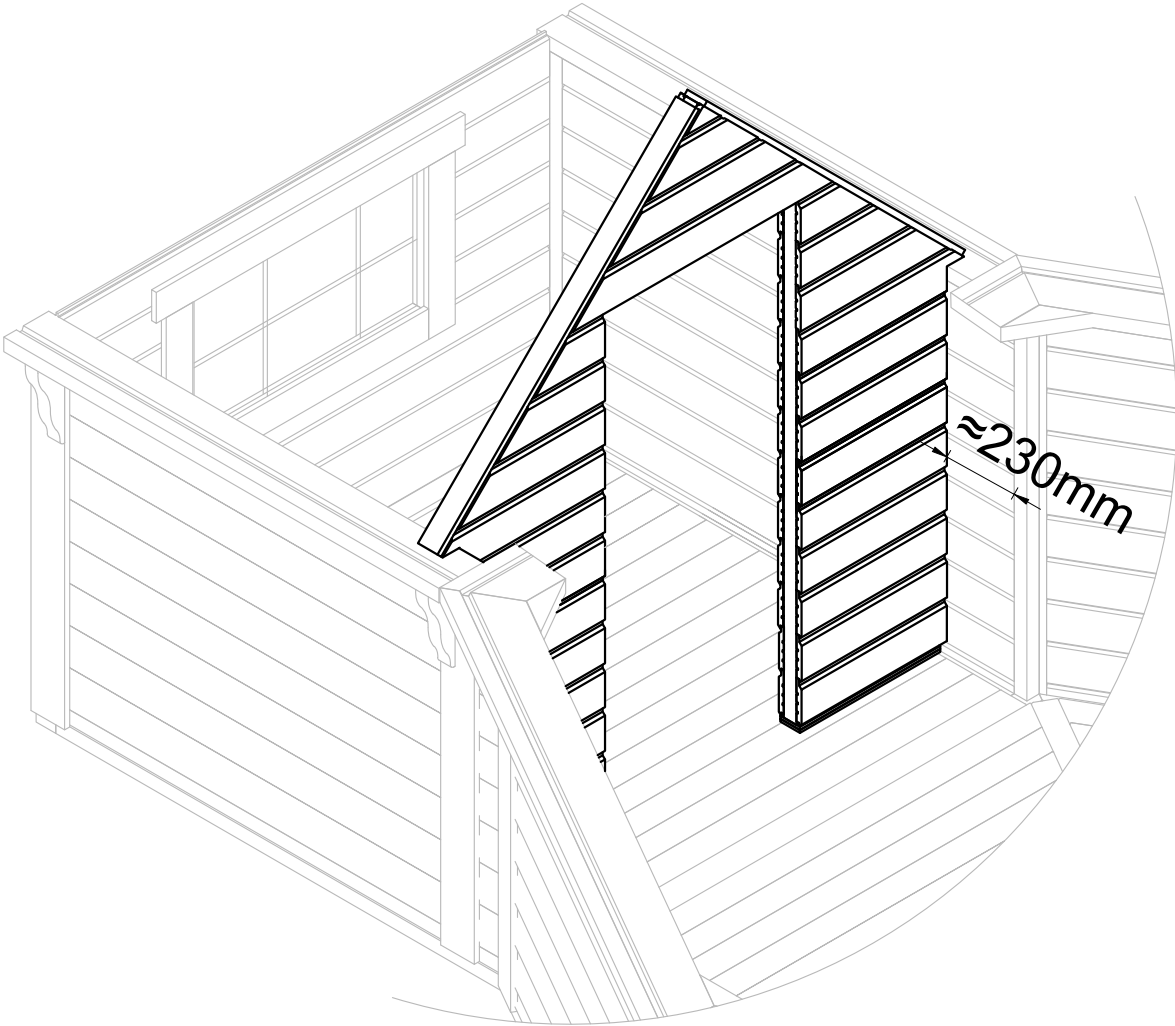
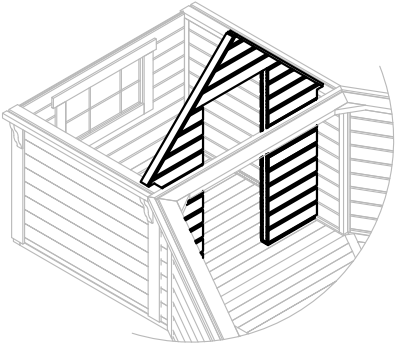


or

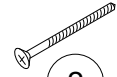
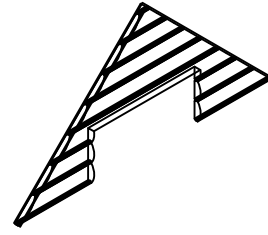
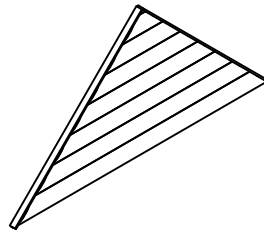
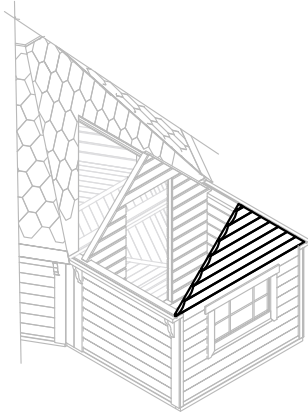


INSULATED FLOOR
WITH BOARD 

6.2 Extension INSIDE WALL



7. Extension WALLS CONNECTION



2 x2

T-GC-5x100

1 x1

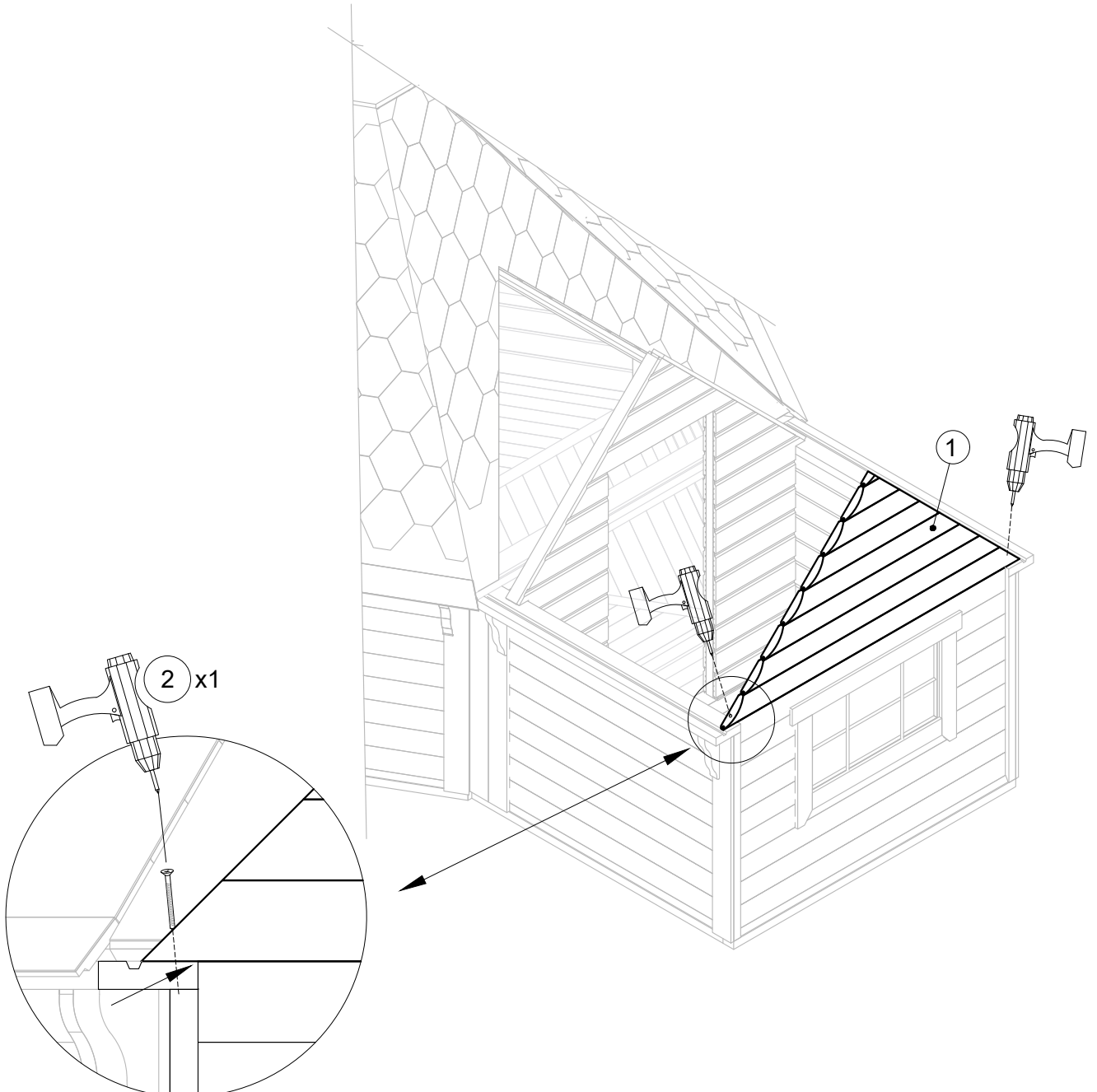
GR-EX-GS-trikamp-961x1923

or

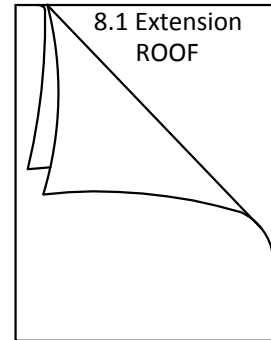
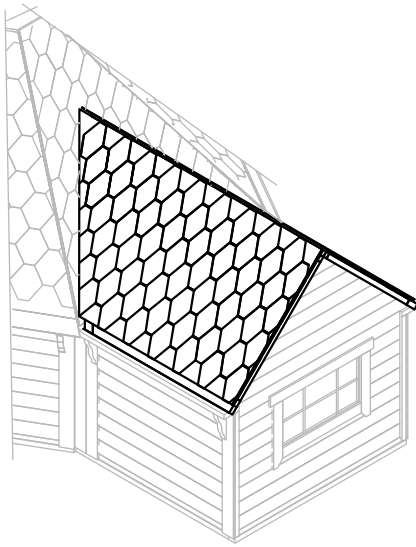
GR-EX-GSD-trikamp-961x1923-A796

or

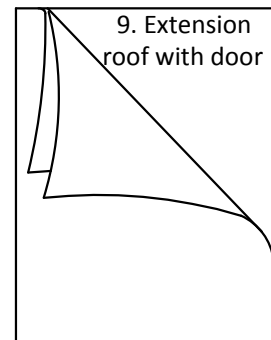
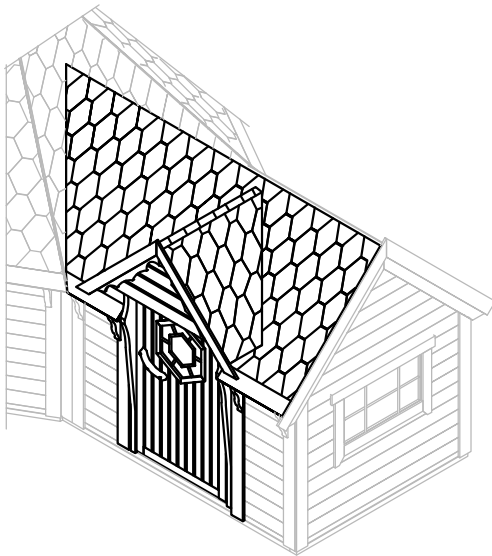
GR-EX-GSD-trikamp-961x1923-A1010



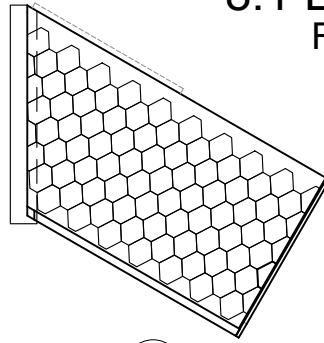
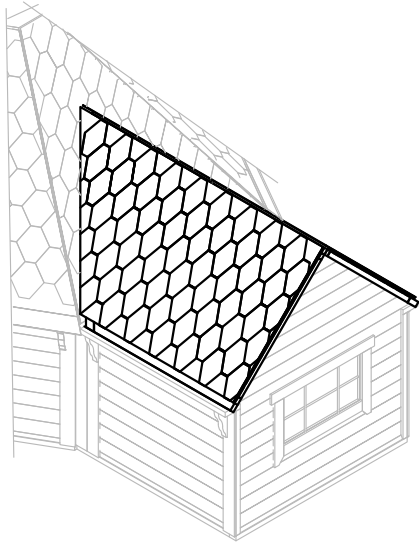
8. Extension ROOF



OR

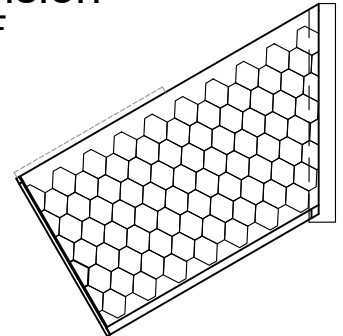


8.1 Extension ROOF



1 x1

GR-EX-Stog-1421x2517(d)
or
GR-EX-I-Stog-1421x2517(d)
or
GR-EX-Stog-1421x3317(d)
or
GR-EX-I-Stog-1421x3317(d)
or
GR-EX-Stog-1421x3817(d)
or
GR-EX-I-Stog-1421x3817(d)



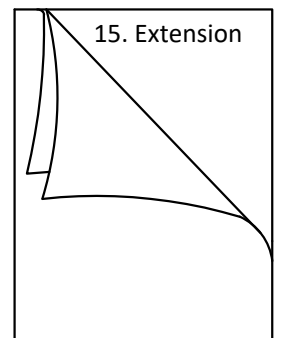
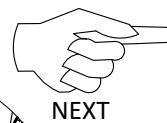
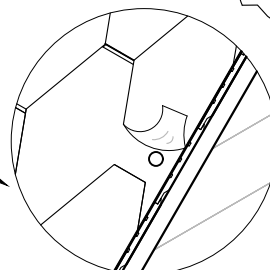
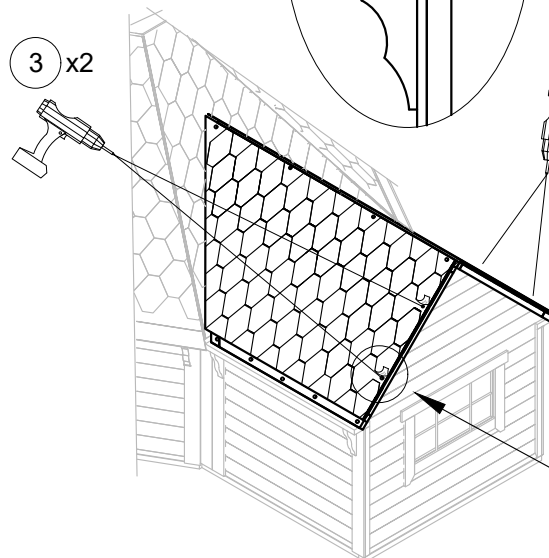
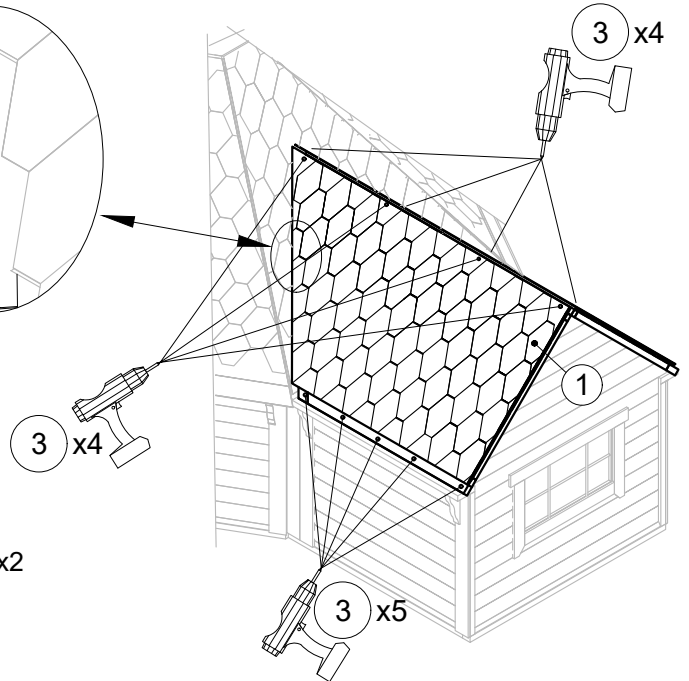
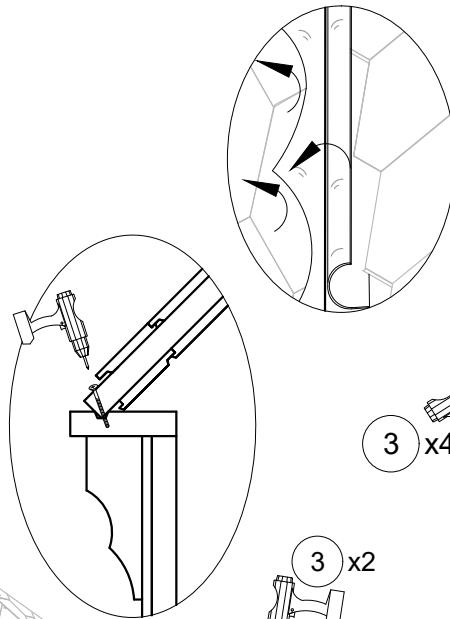
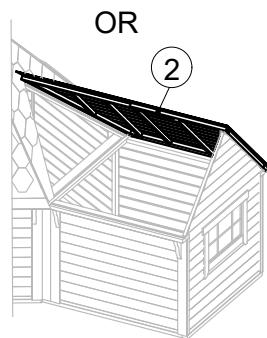
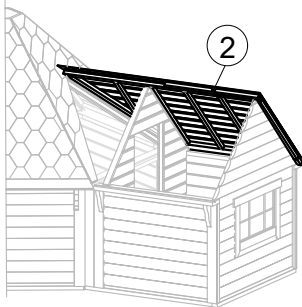
2 x1

GR-EX-Stog-1421x2517(k)
or
GR-EX-I-Stog-1421x2517(k)
or
GR-EX-Stog-1421x3317(k)
or
GR-EX-I-Stog-1421x3317(k)
or
GR-EX-Stog-1421x3817(k)
or
GR-EX-I-Stog-1421x3817(k)

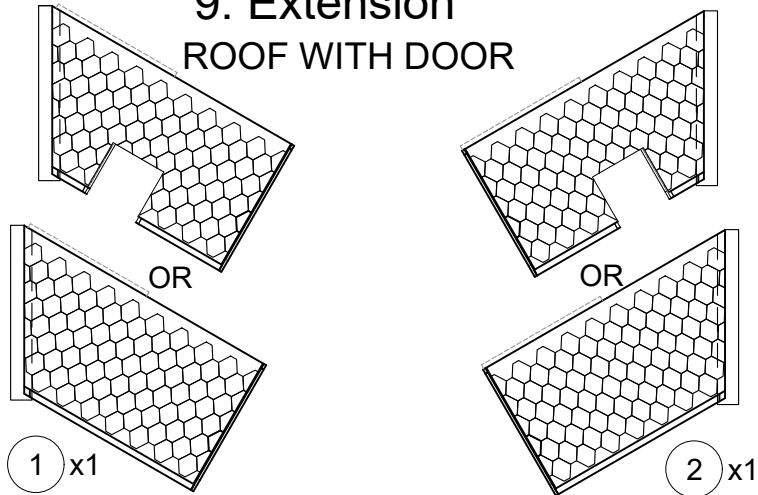
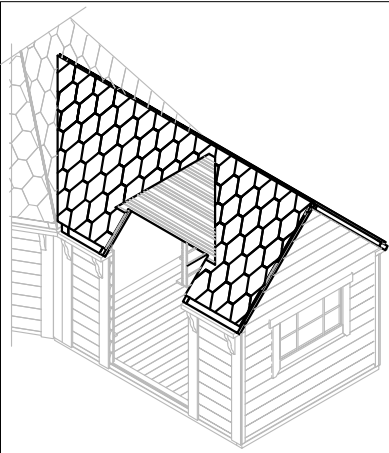


3 x22

T-GC-5x80

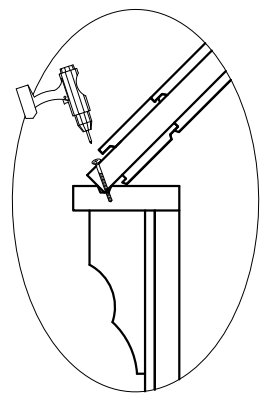
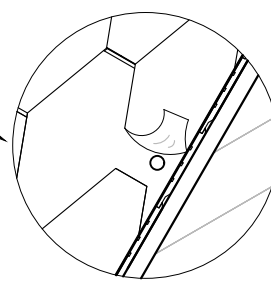
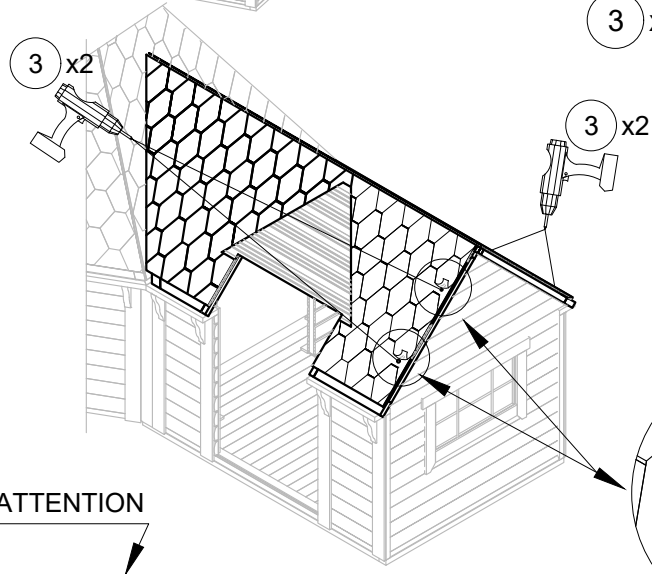
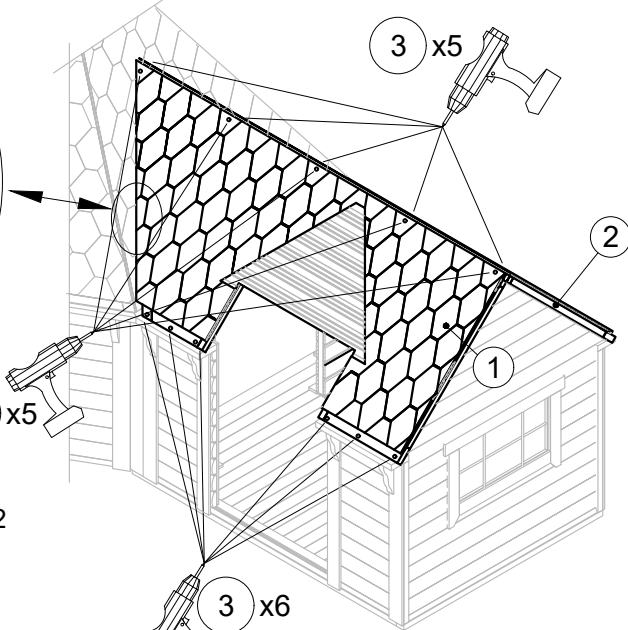
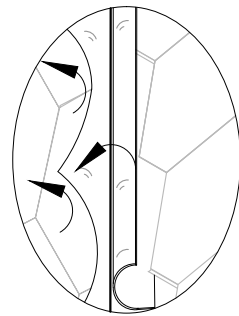
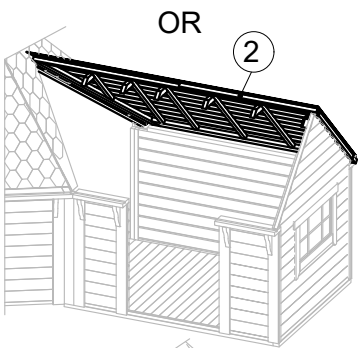
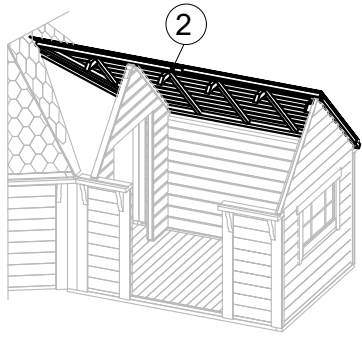
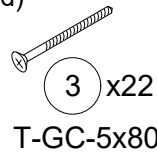


9. Extension ROOF WITH DOOR



1 x1
 GR-EX-(I)-StogD-1421x3317-A850(d)
 or
 GR-EX-(I)-StogD-1421x3317-A1070(d)
 or
 GR-EX-(I)-StogD-1421x3817-A850(d)
 or
 GR-EX-(I)-StogD-1421x3817-A1070(d)
 or
 GR-EX-(I)-Stog-1421x3317(d)

2 x1
 GR-EX-(I)-StogD-1421x3317-A850(k)
 or
 GR-EX-(I)-StogD-1421x3317-A1070(k)
 or
 GR-EX-(I)-StogD-1421x3817-A850(k)
 or
 GR-EX-(I)-StogD-1421x3817-A1070(k)
 or
 GR-EX-(I)-Stog-1421x3317(k)

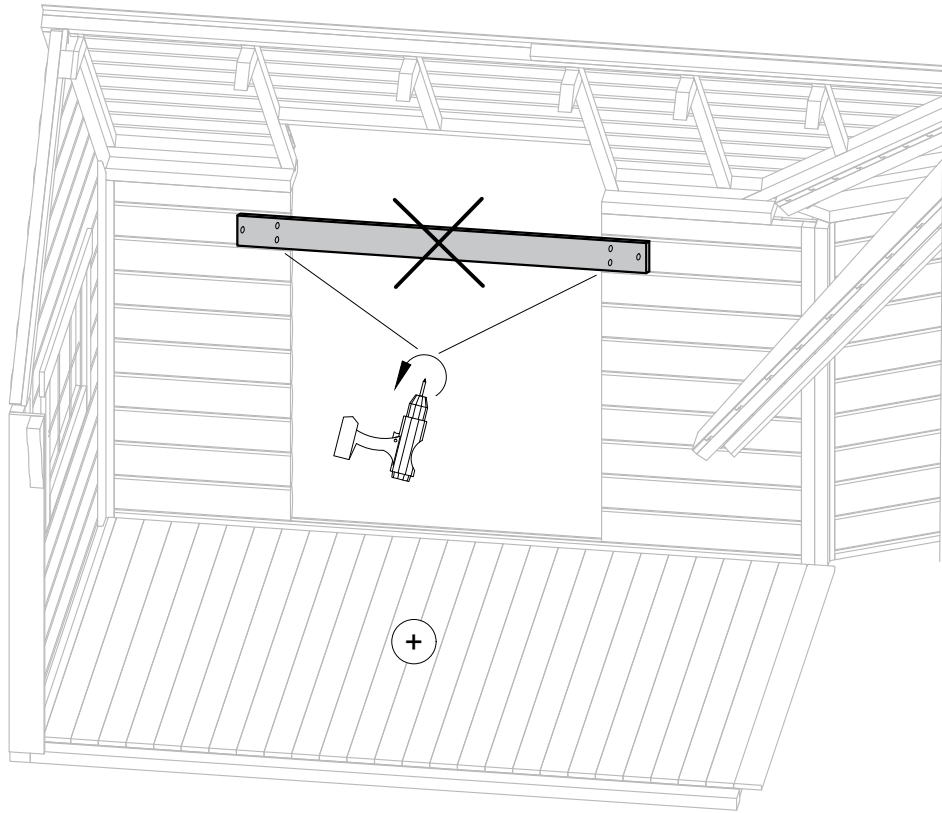


ATTENTION

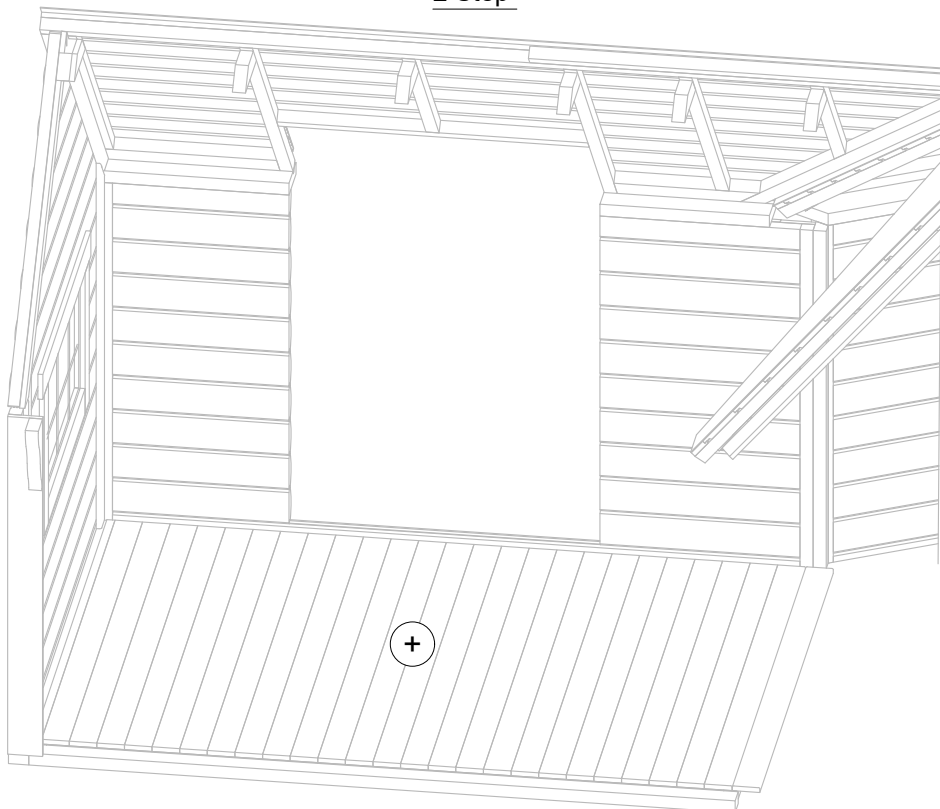
GR-EX-(I)-StogD-14..... INSULATED
 GR-EX-StogD-14..... COLD

10. Extension ENTRANCE ASSEMBLY

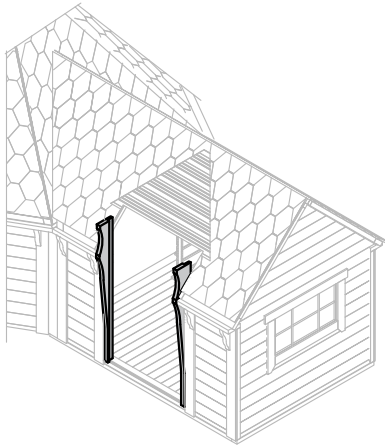
1 Step



2 Step





11. Extension ENTRANCE SUPPORT

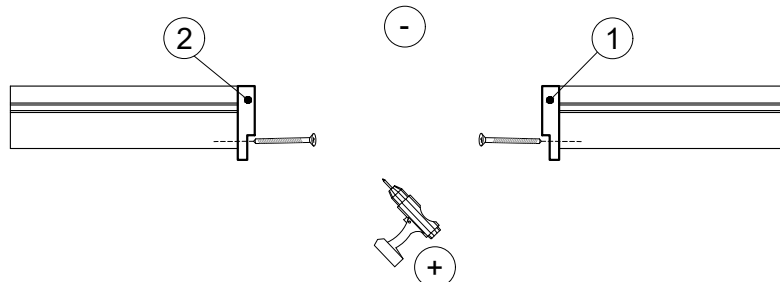
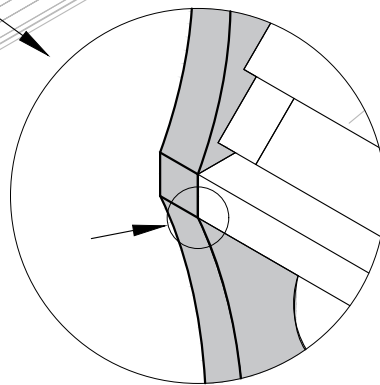
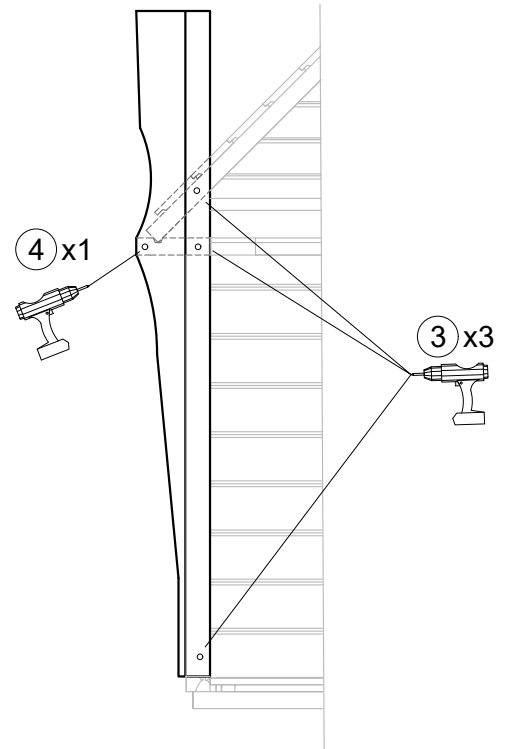
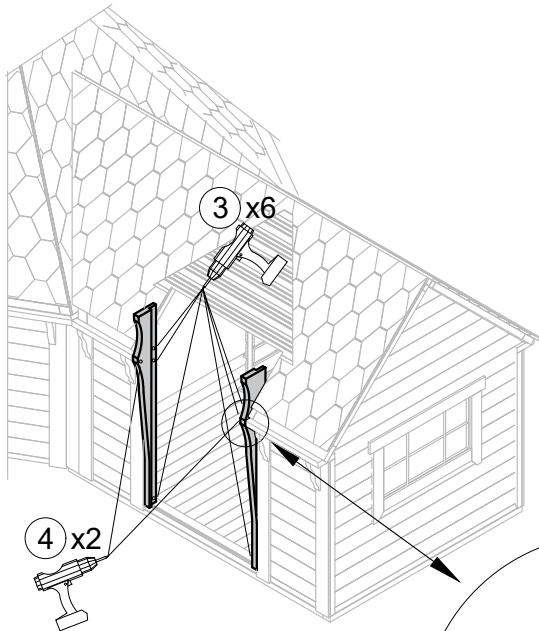


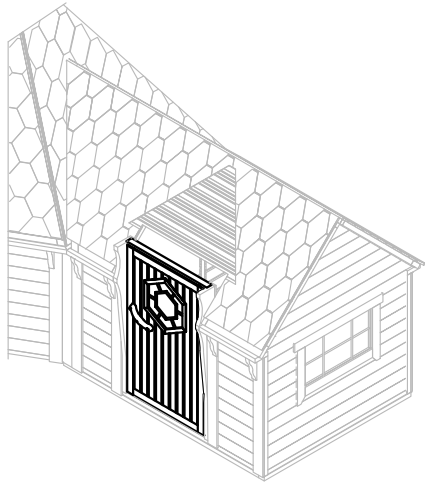
M-45x195x1630-A850-CNC(k)
or
M-45x195x1760-A850-CNC(k)
or
M-45x195x1890-A-850-CNC(k)
or
M-45x195x1630-A1070-CNC(k)
or
M-45x195x1760A-1070-CNC(k)



M-45x195x1630-A850-CNC(d)
or
M-45x195x1760-A850-CNC(d)
or
M-45x195x1890-A-850-CNC(d)
or
M-45x195x1630-A1070-CNC(d)
or
M-45x195x1760A-1070-CNC(d)

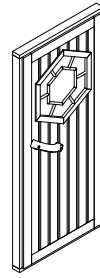
-  ③ x6
T-BC-4x50
-  ④ x2
T-GC-5x80





12.Extension OUTSIDE DOOR

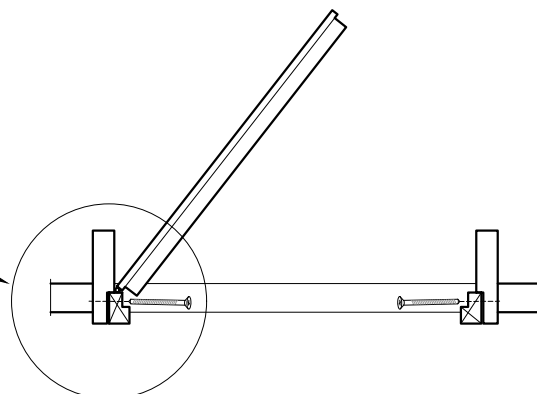
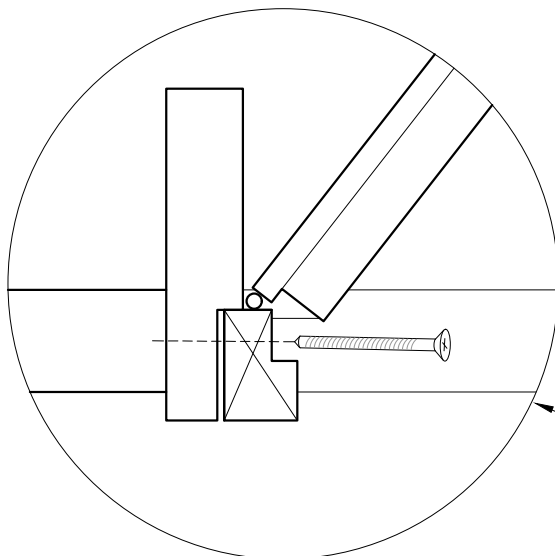
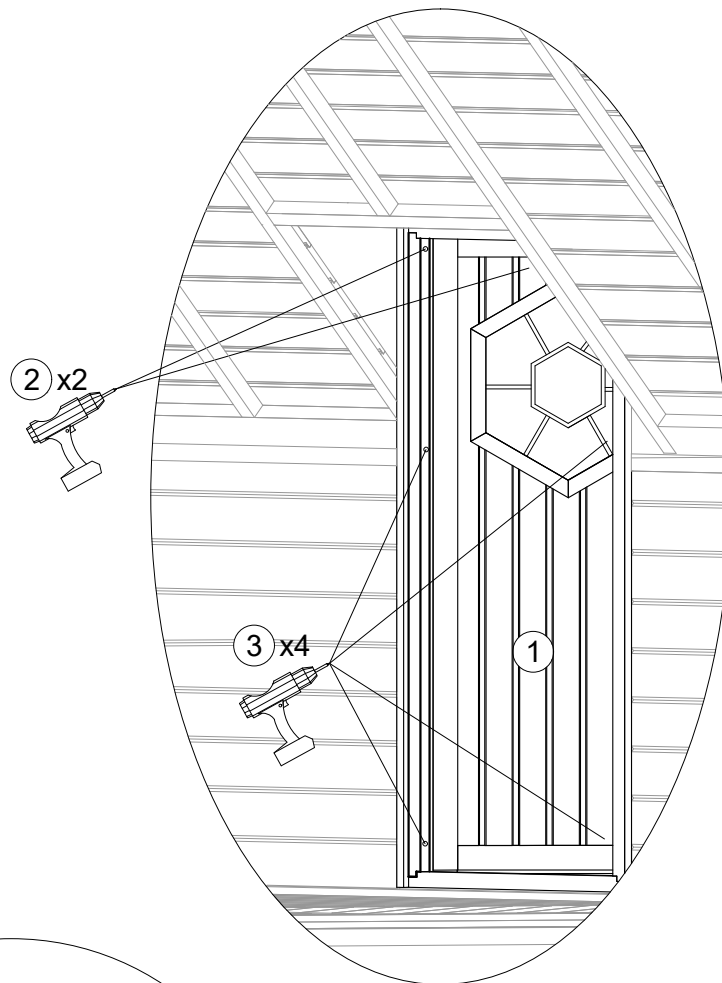
① x1
PUS00013
or
PUS00060
or
PUS00321
or
PUS00317
or
PUS00322



② x2
T-BC-4x50



③ x4
T-GC-5x100



13.Extension INSIDE FINISHING BOARD

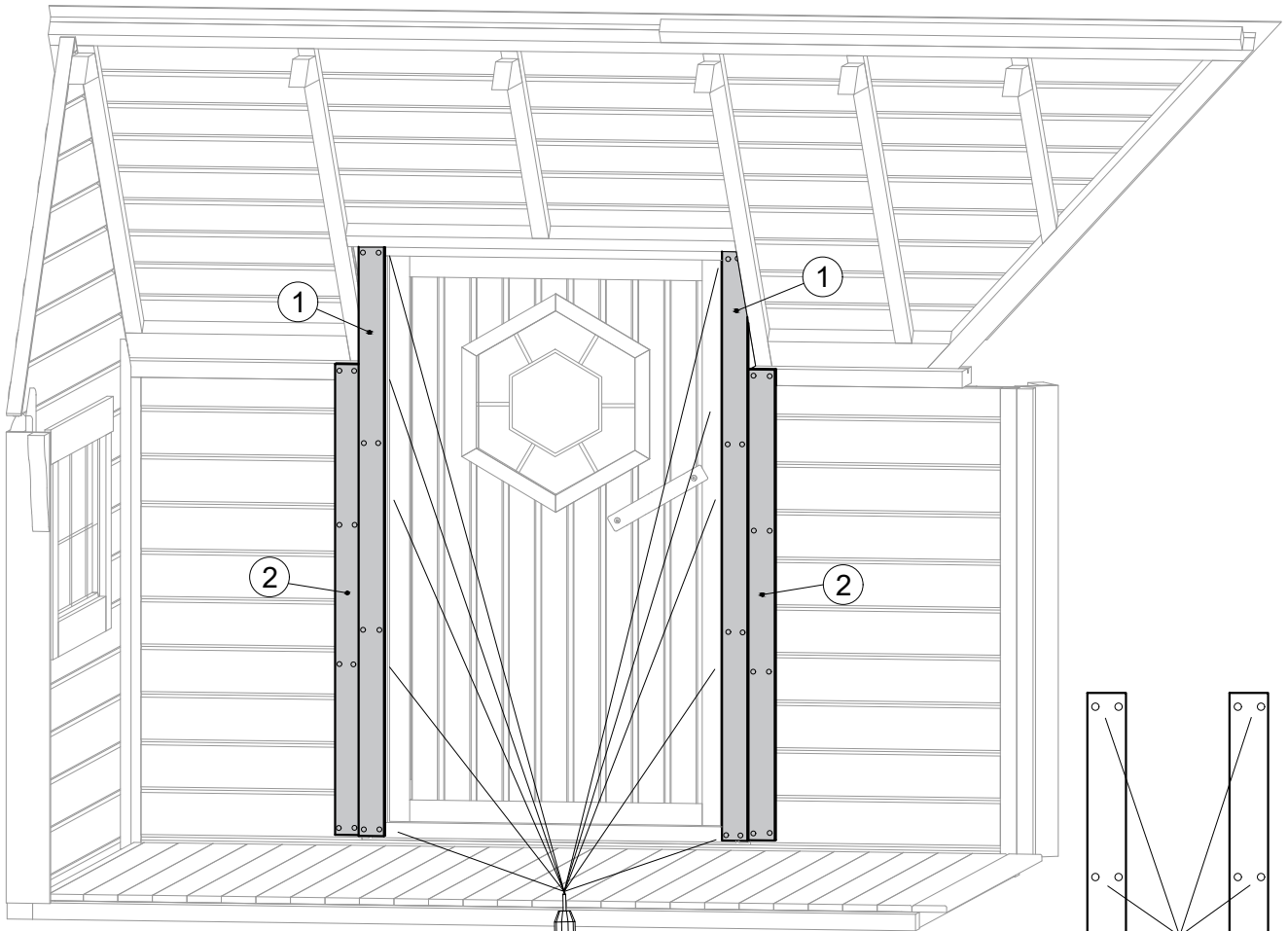
① x2
M-18x70x1624
or
M-18x70x1754
or
M-18x70x1884



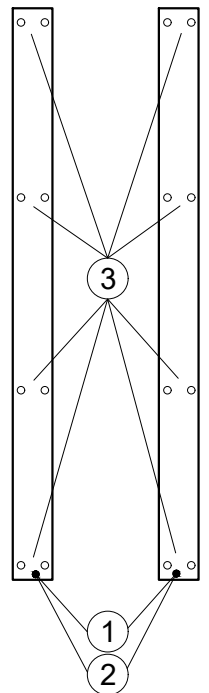
② x2
M-18x70x1150
or
M-18x70x1280
or
M-18x70x1410



③ x32
T-GC-3.5x45



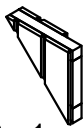
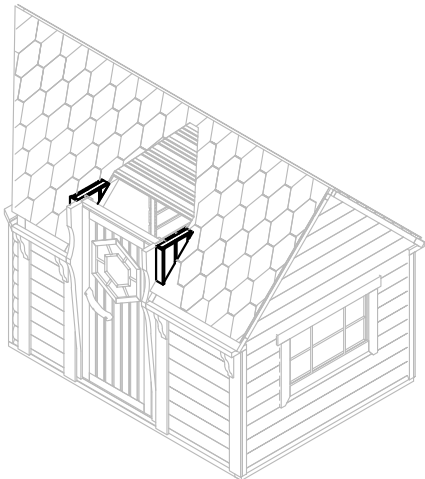
③ x32



14. Extension ENTRANCE ASSEMBLY

782mm
standard door

1070mm
disabled door



① x1

GR-trikamp-313x331-(k)



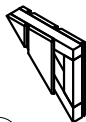
① x2

M-45X136X271-F



③ x4

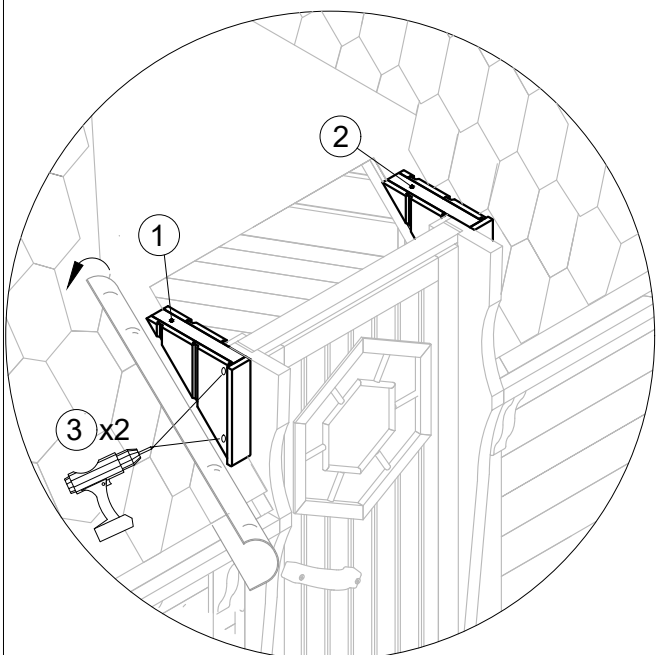
T-GC-5x80



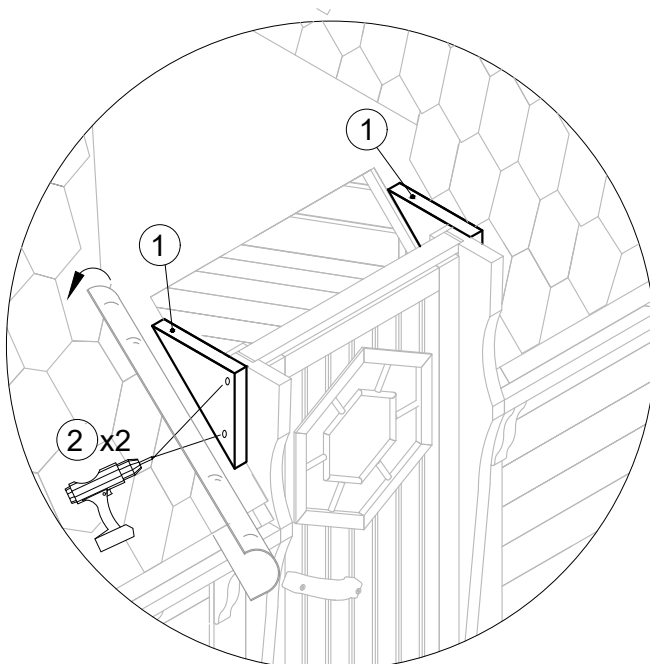
② x1

GR-trikamp-313x331-(d)

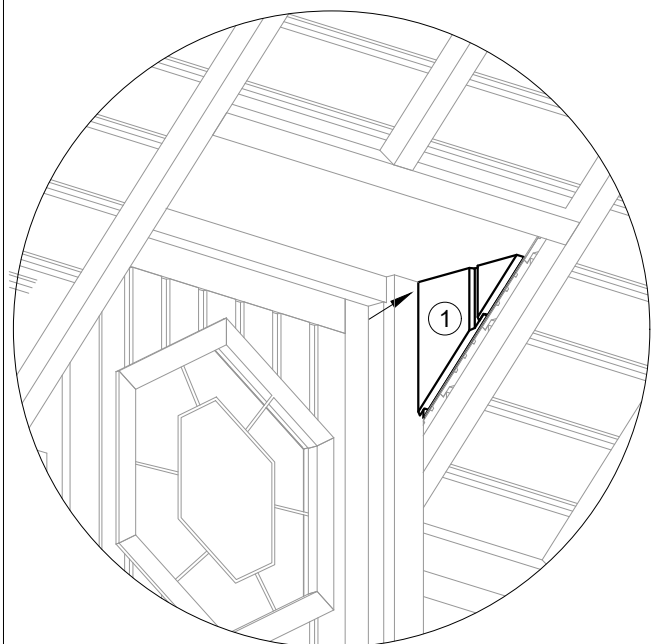
OR



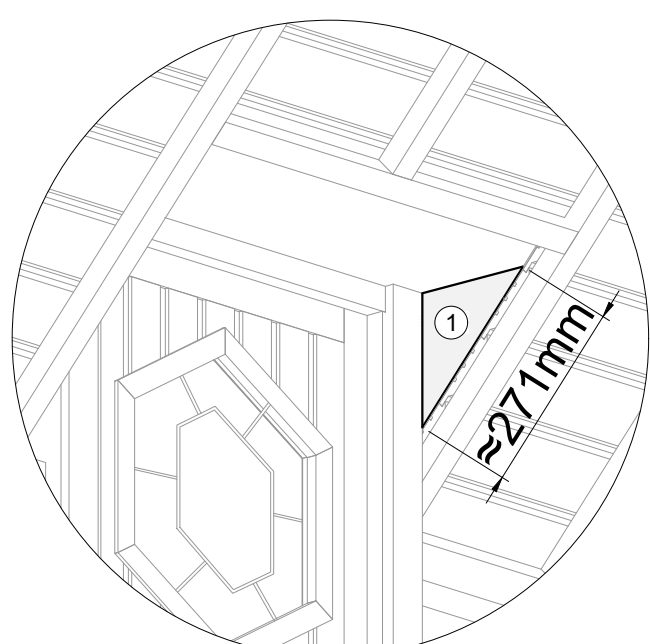
782mm
standard door



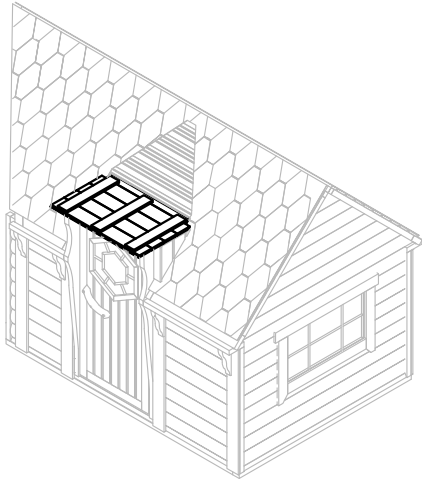
1070mm
disabled door



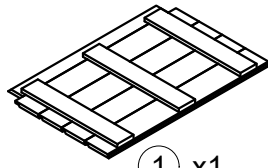
OR



14.1 Extension ENTRANCE ASSEMBLY



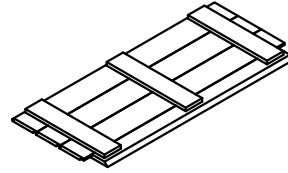
782mm
standard door



① x1

GR-lubos-636x939

1070mm
disabled door



① x1

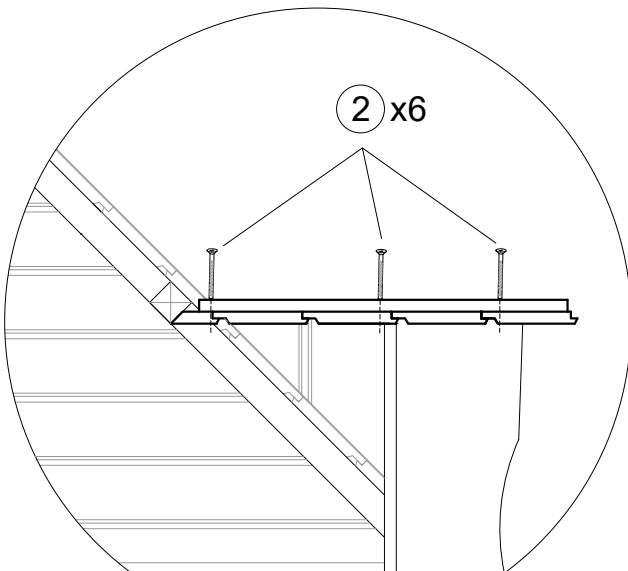
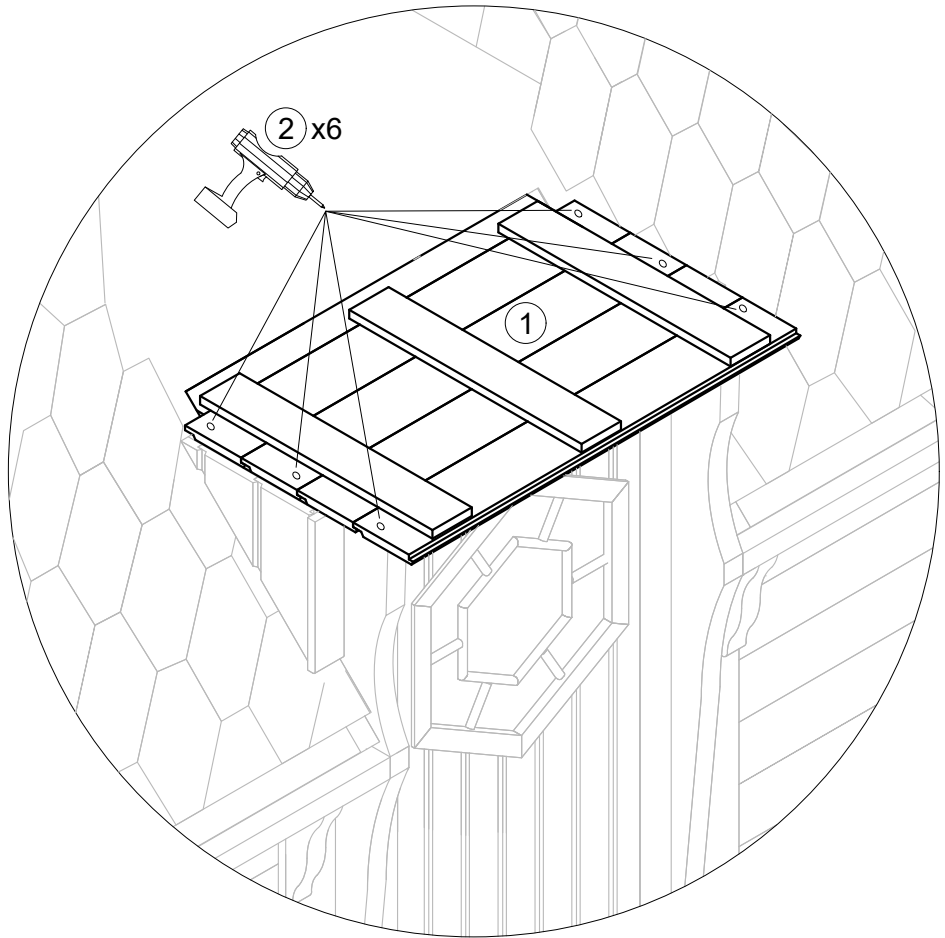
GR-lubos-507x1159

OR

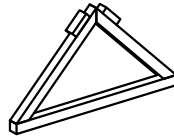
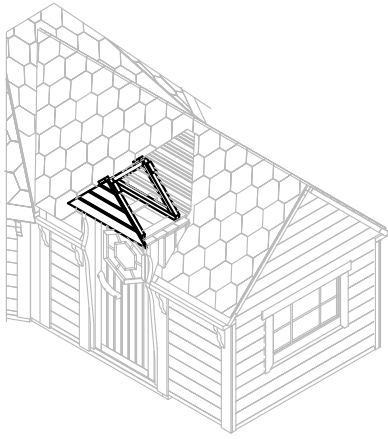


② x6

T-GC-4x70

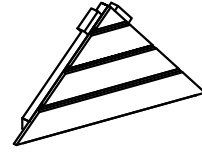


14.2 Extension ENTRANCE ASSEMBLY



① x1

GR-Stog-trik-453x815
or
GR-Stog-trik-563x1035



② x1

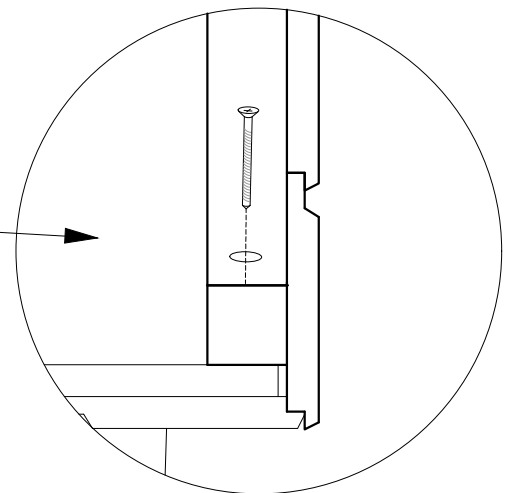
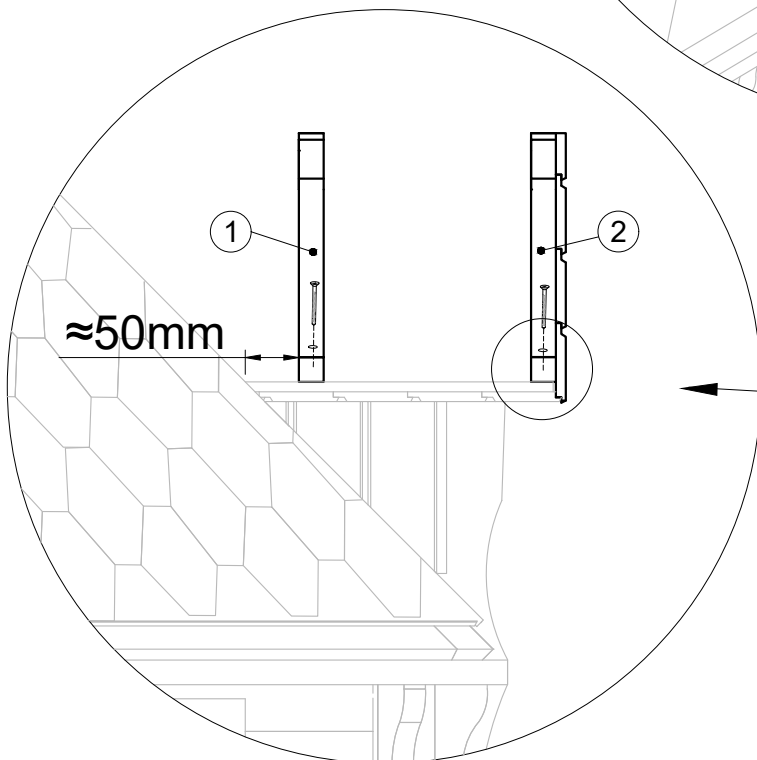
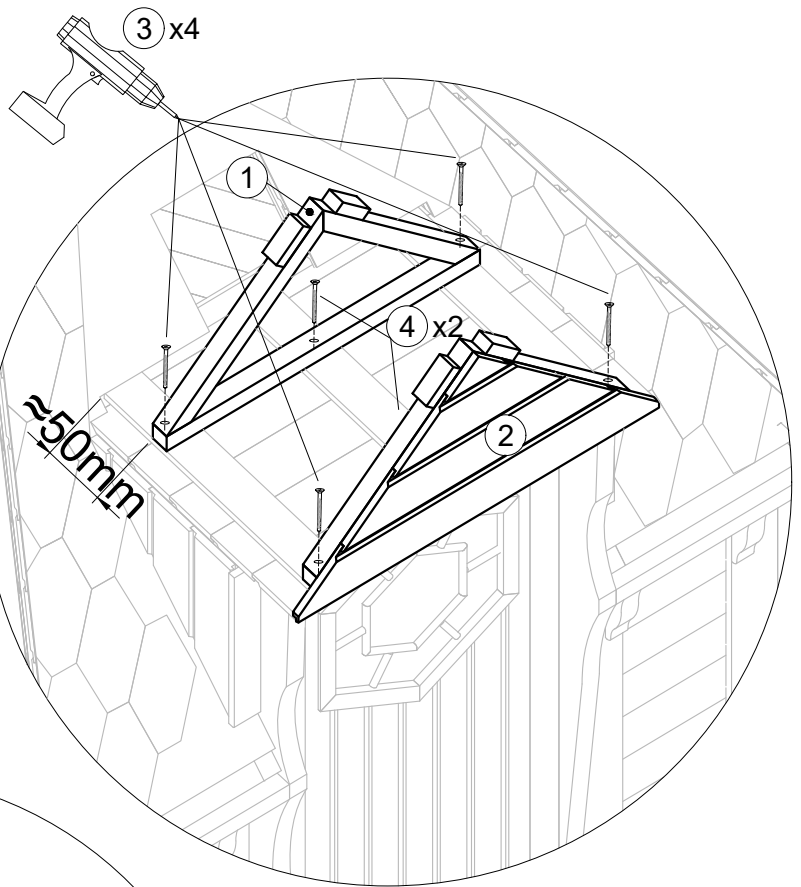
GR-Pr-trik-491x981
or
GR-Pr-trik-601x1202



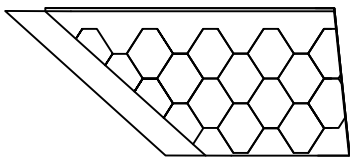
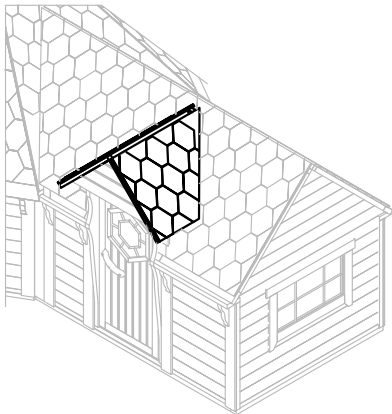
③ x4
T-GC-5x100



④ x2
T-GC-4x70

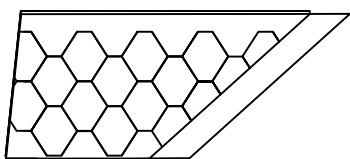


14.3 Extension ENTRANCE ASSEMBLY



① x1

GR-Stog-845x1090-(k)
or
GR-Stog-1001x1070-(k)



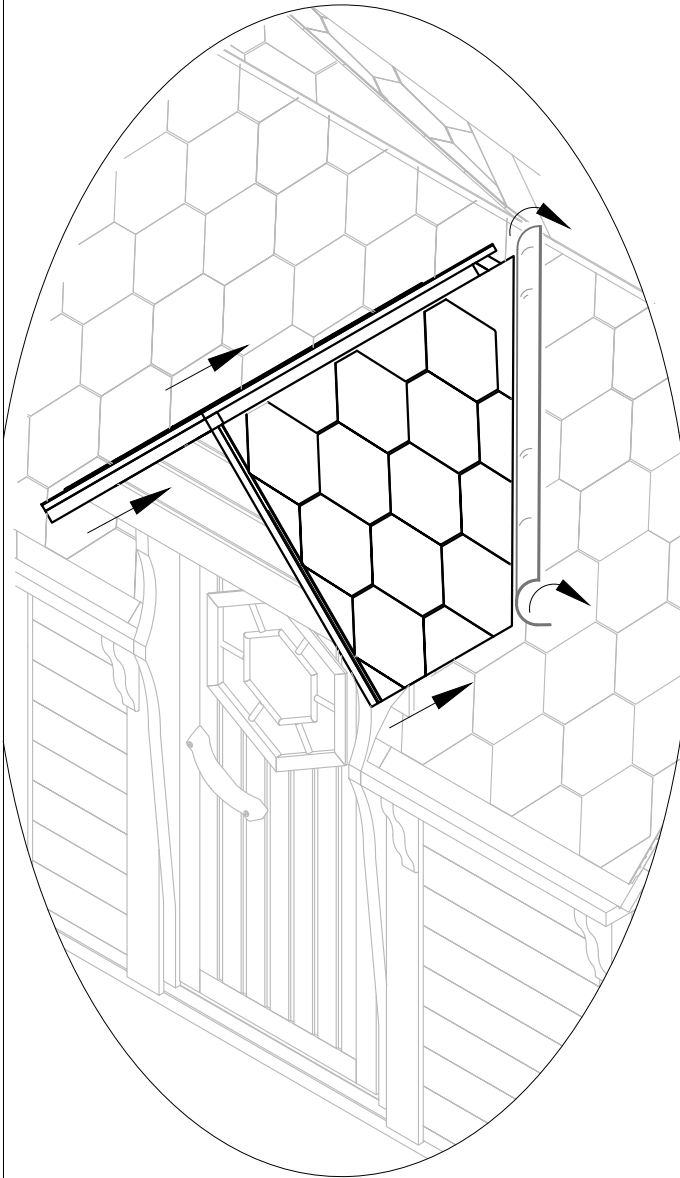
② x1

GR-Stog-845x1090-(d)
or
GR-Stog-1001x1070-(d)

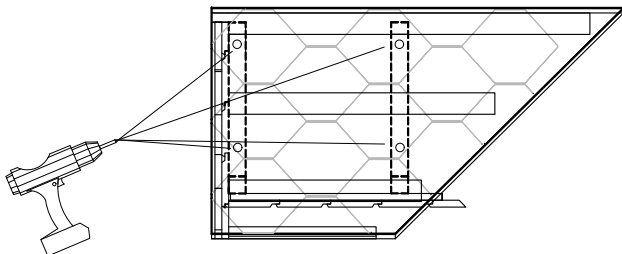
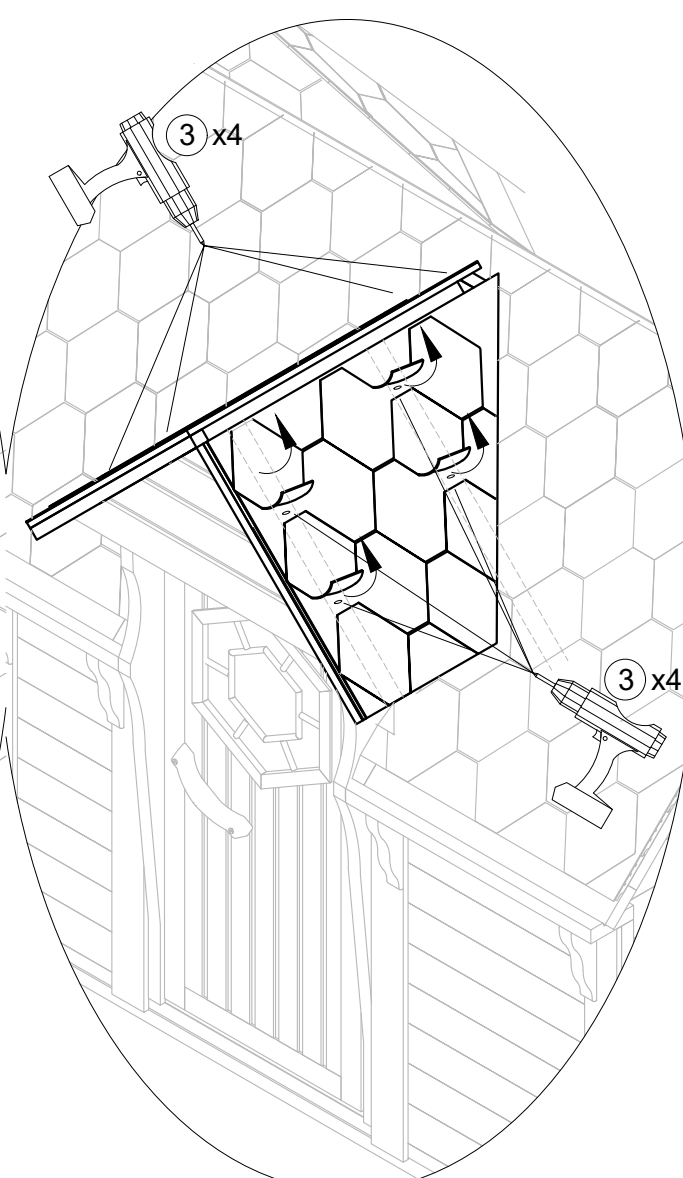


③ x8
T-GC-5x100

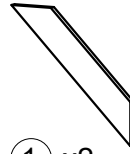
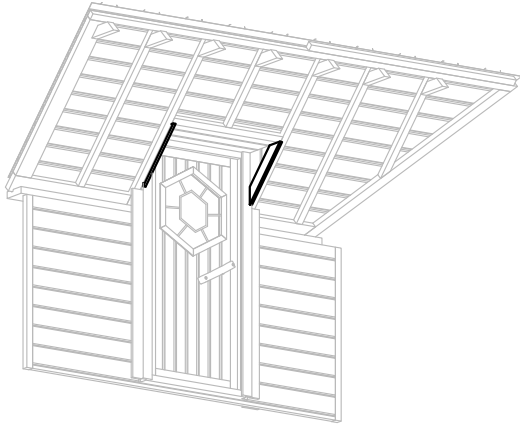
1 Step



2 Step



14.4 Extension ENTRANCE ASSEMBLY



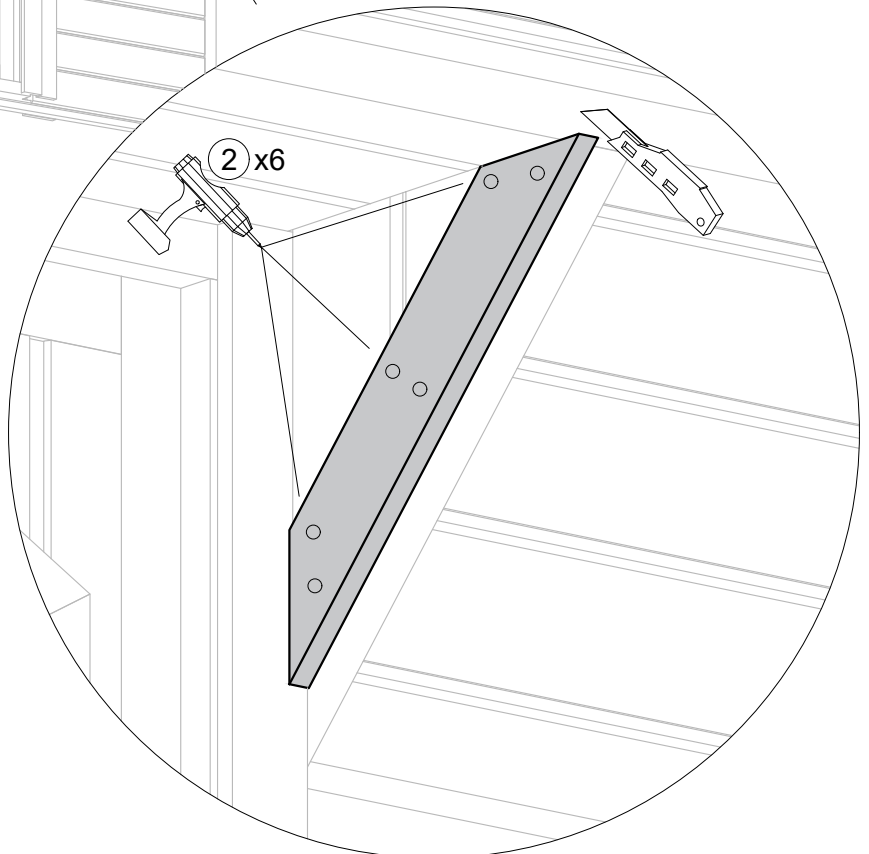
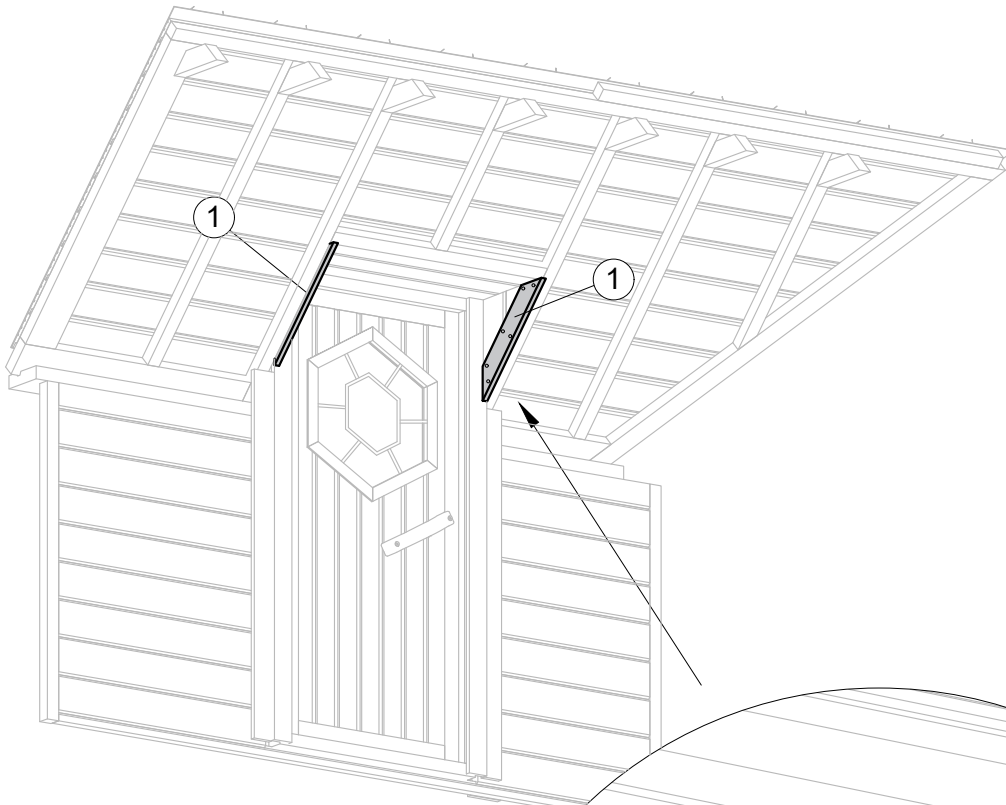
① x2

M-18x83x488-F
or
M-18x95x318-F

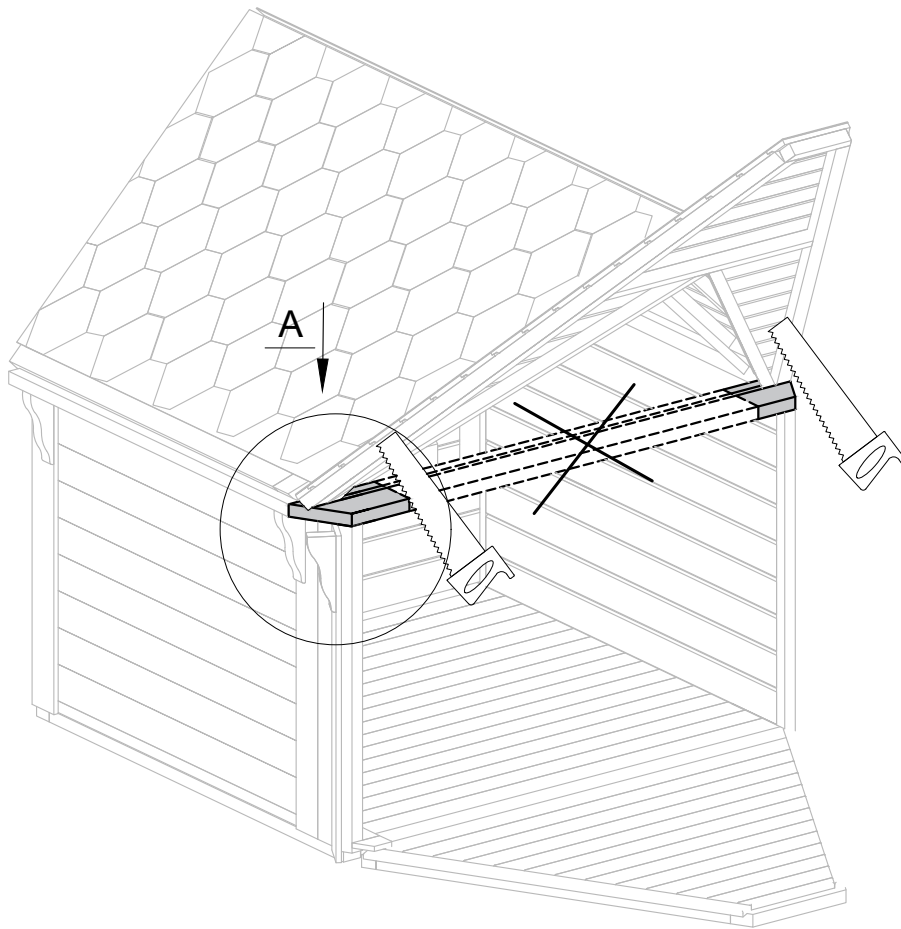


② x12

T-GC-3.5x45



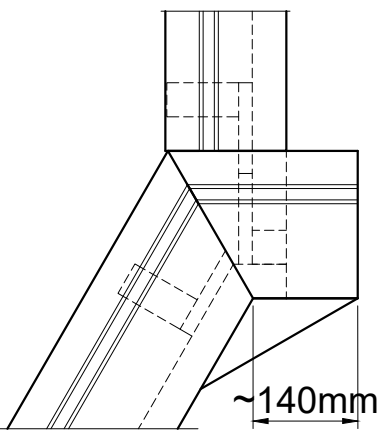
15. Extension



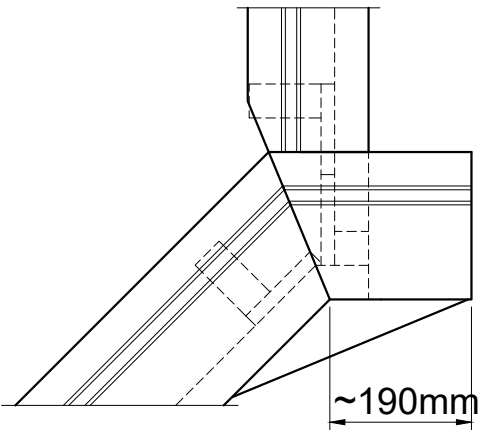
A

A

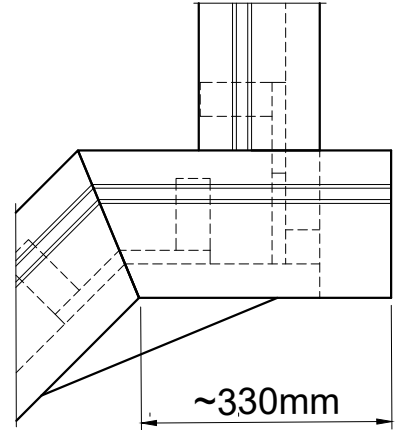
A



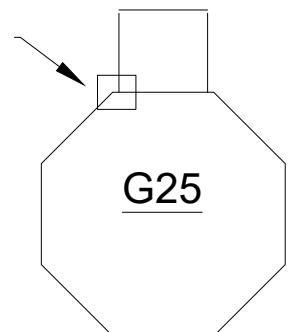
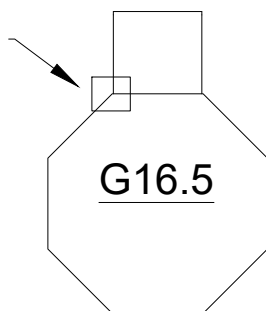
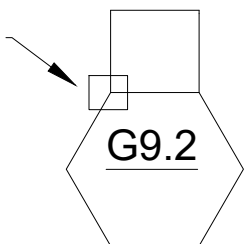
~140mm



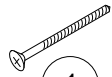
~190mm



~330mm

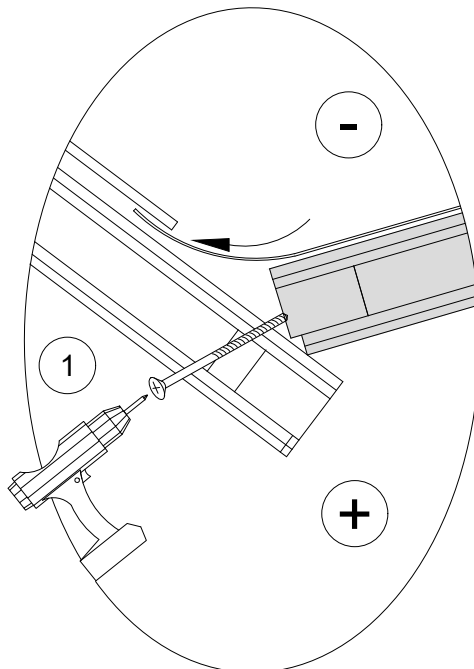
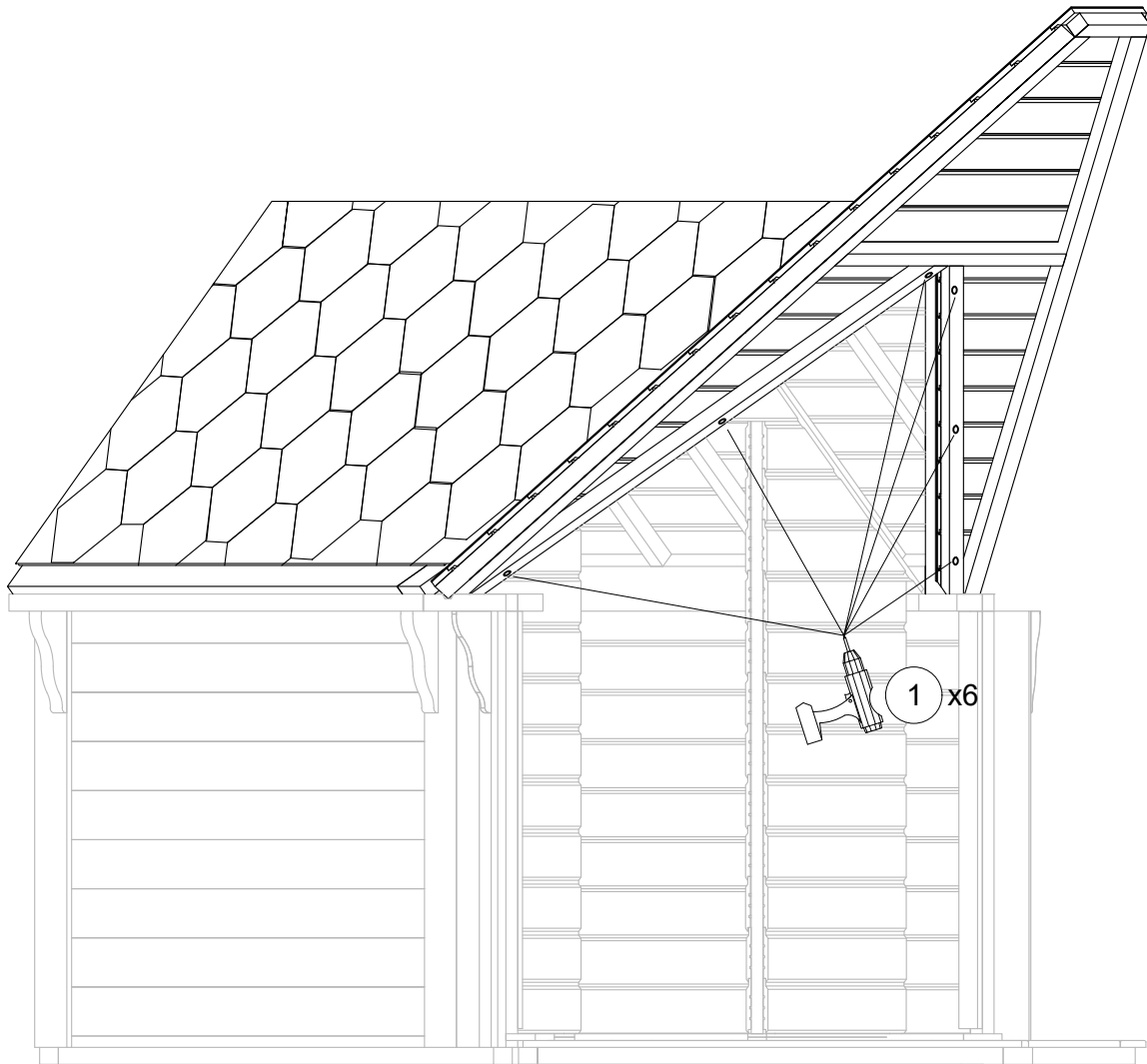


16. Extension ROOF FIX

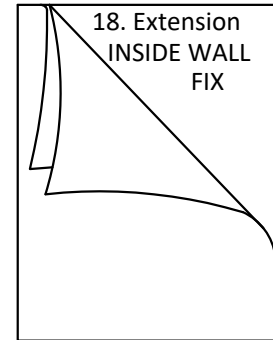
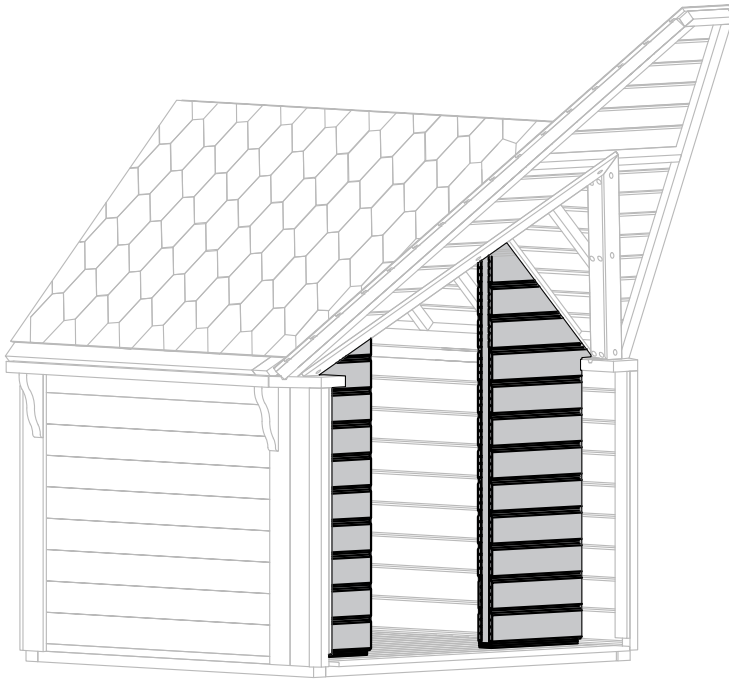


1 x6

T-GC-5x100

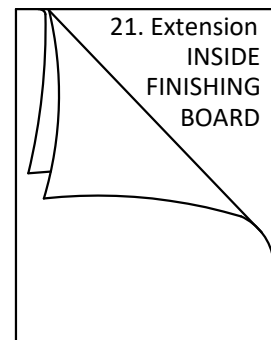
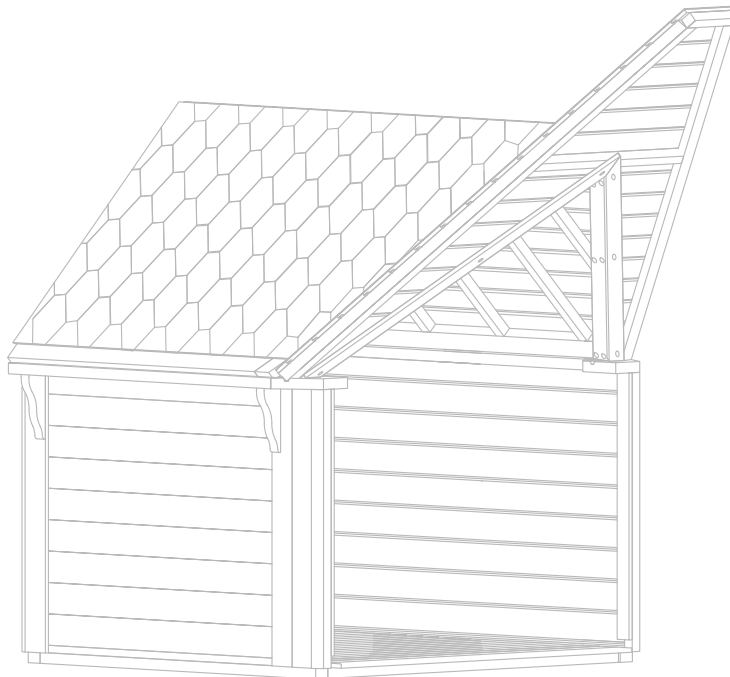


17. Extension



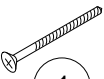
WITH INSIDE WALL


OR



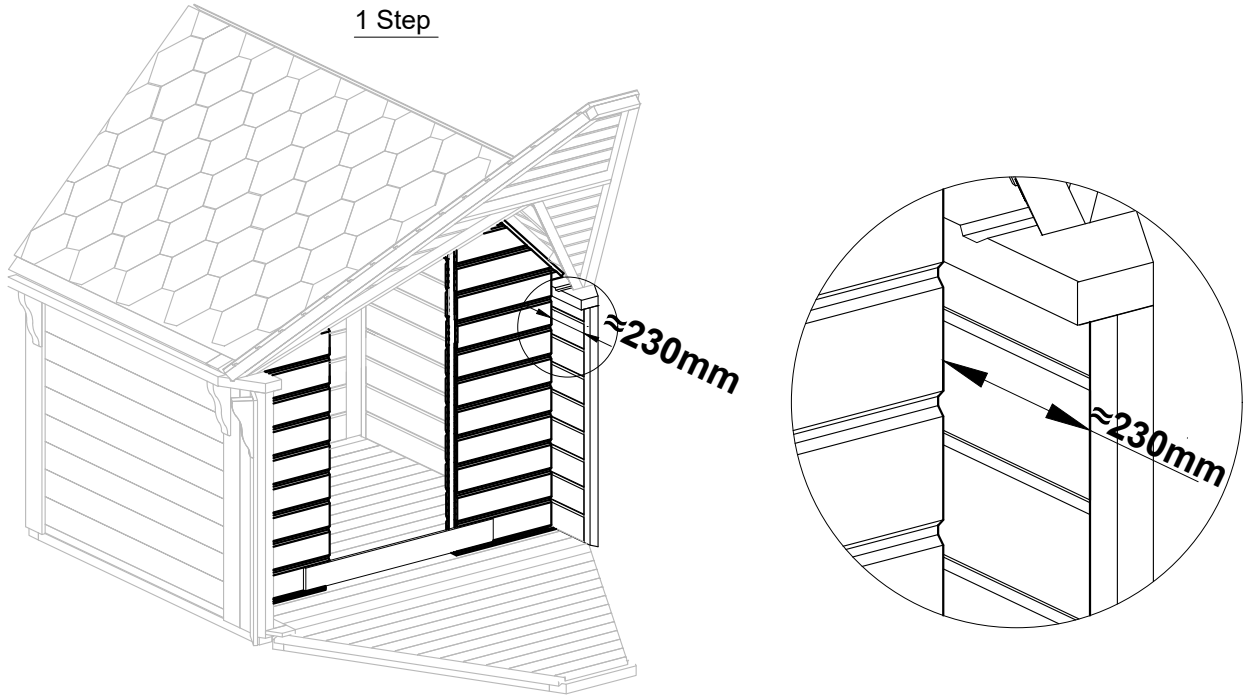
WITHOUT INSIDE WALL

18. Extension INSIDE WALL FIX

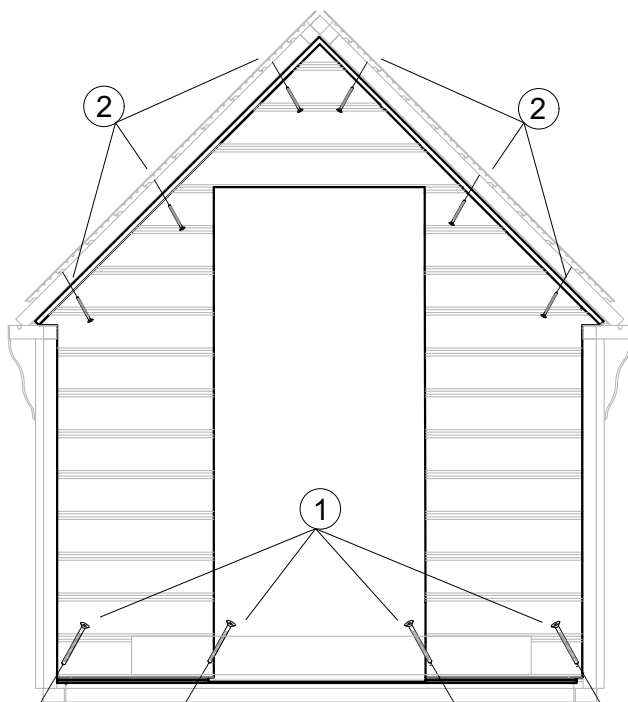

① x4
T-GC-5x100


② x6
T-GC-4x70

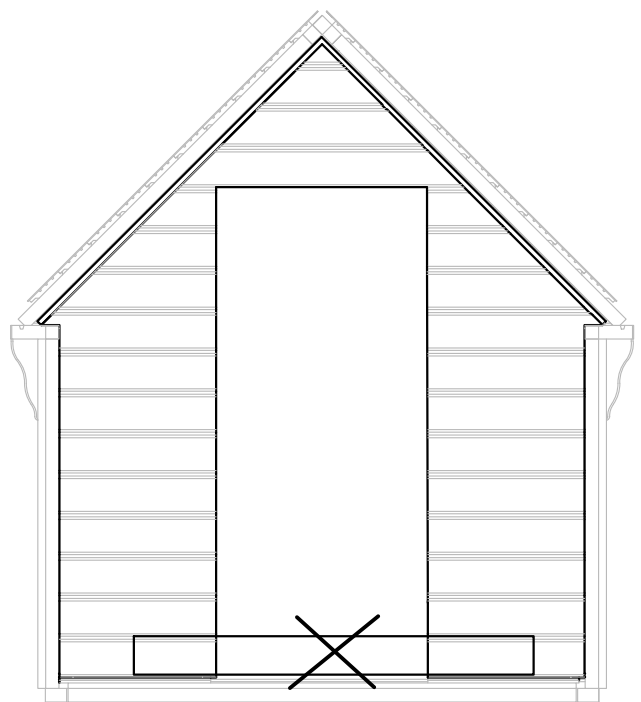
1 Step



2 Step



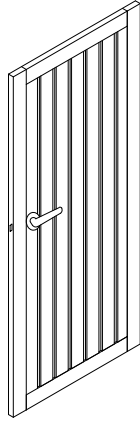
3 Step



19. Extension INSIDE DOOR

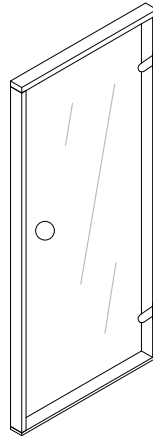
① x1

PUS00335
or
PUS00338
or
PUS00336
or
PUS00339



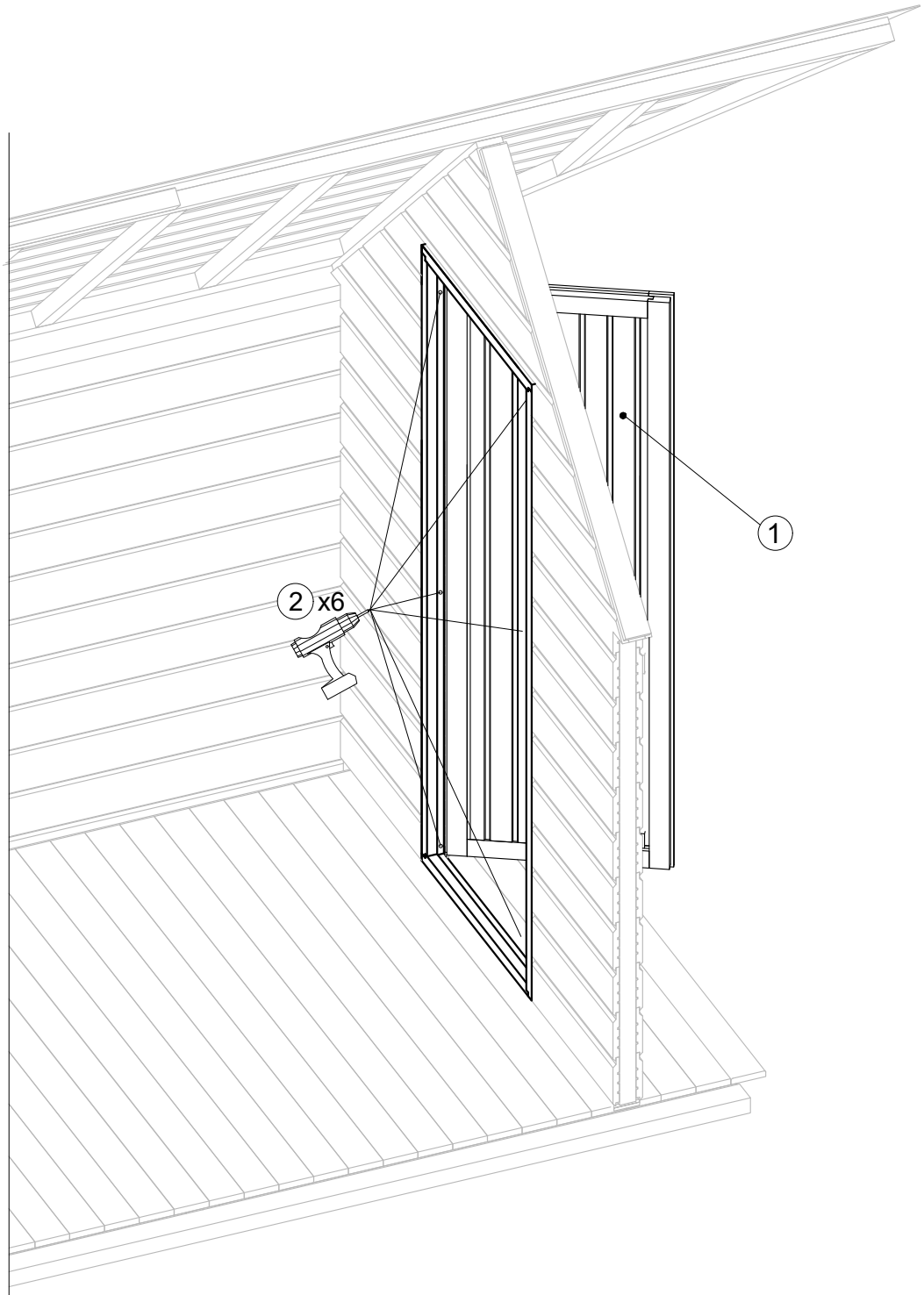
① x1

PUS00232
or
PUS00233

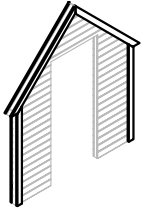


② x6

T-GC-5x100



20. Extension INSIDE WALL FINISHING BOARD



① x4

M-18x70x1210-F
or
M-18x70x1340-F
or
M-18x70x1470-F

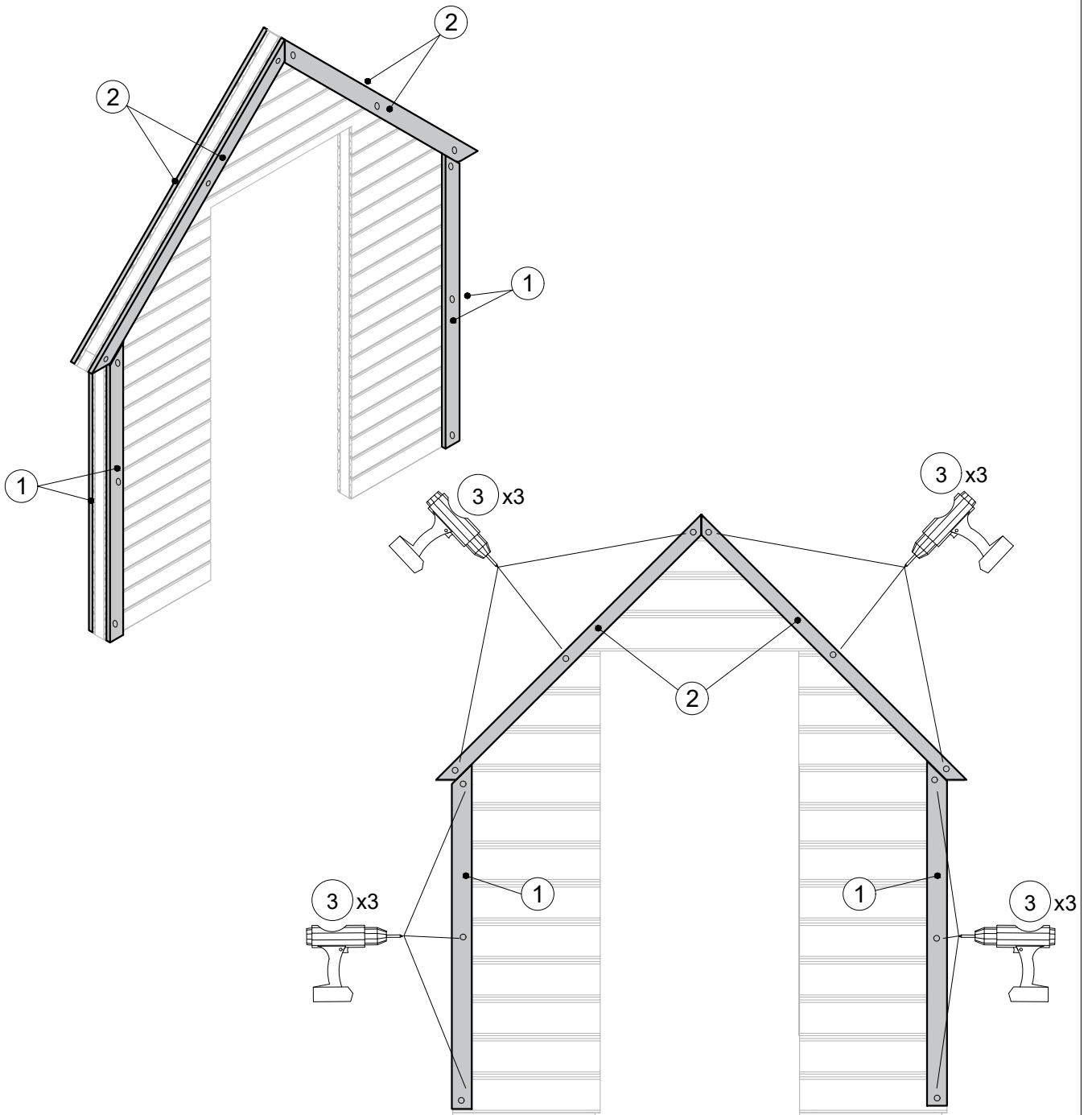


② x4

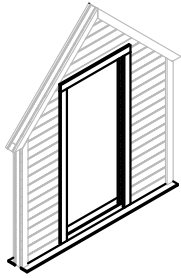
M-18x70x1350-F
or
M-18x50x1310-F



③ x24
T-GC-3.5x45



20.1 Extension INSIDE WALL FINISHING BOARD



① x2

M-18x70x1599



② x4

M-18x70x1640
or
M-18x70x1490
or
M-18x70x1840
or
M-18x70x1620



③ x2

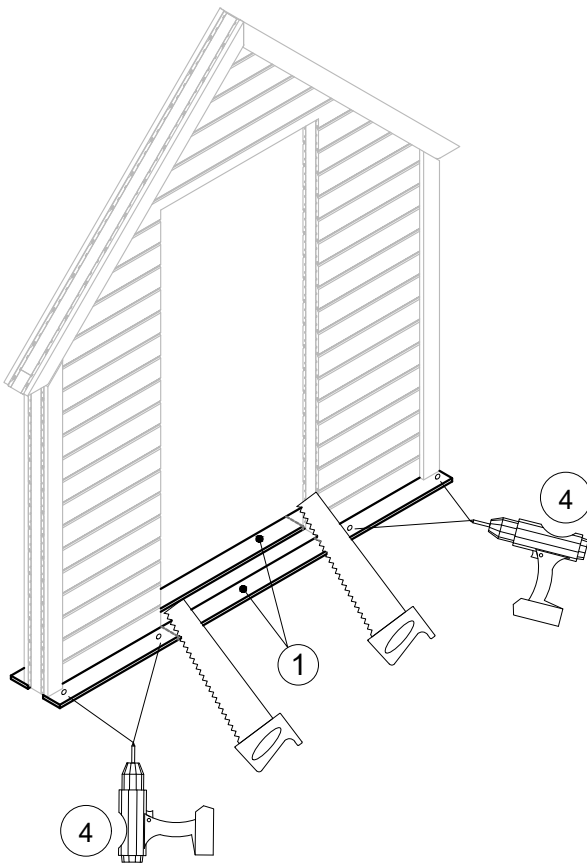
M-18x70x810
or
M-18x70x1120



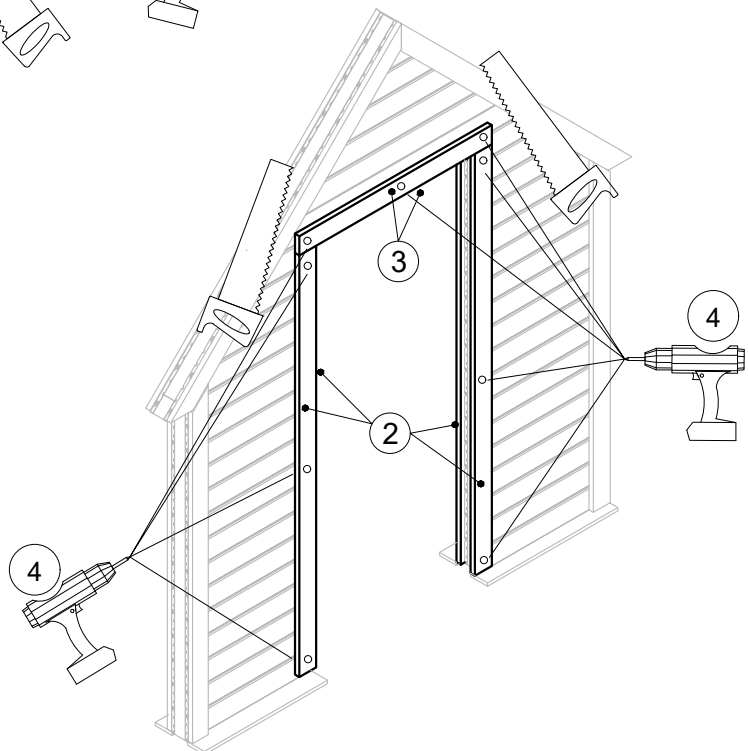
④ x46

T-GC-3.5x45

1 Step



2 Step

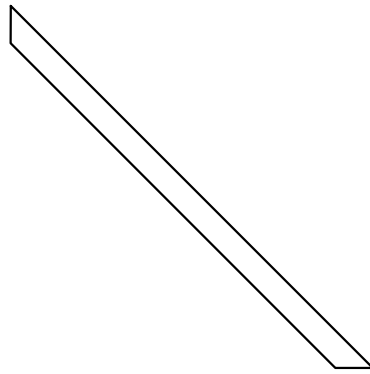


21. Extension INSIDE FINISHING BOARD



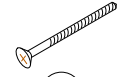
① x2

M-18x70x1210-F
or
M-18x70x1340-F
or
M-18x70x1470-F

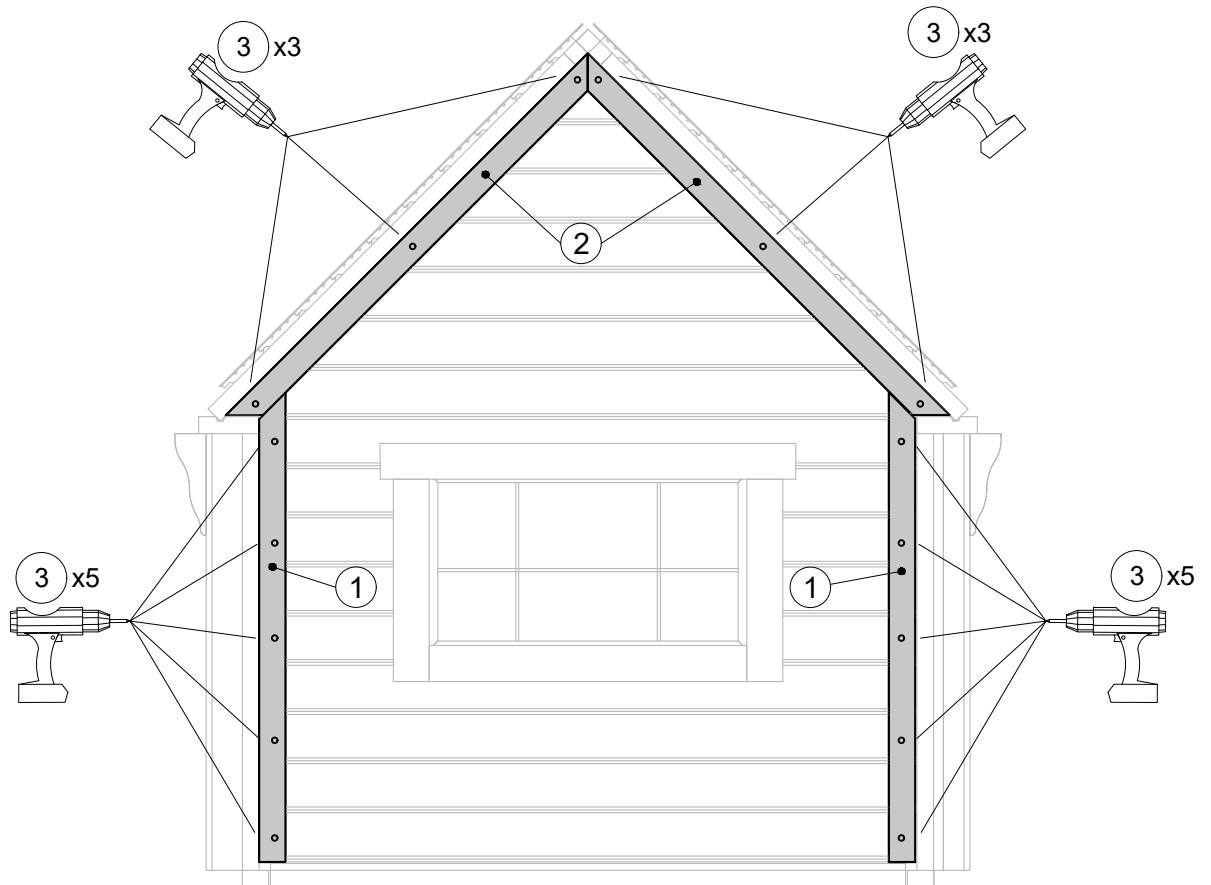


② x2

M-18x70x1355-F
or
M-18x50x1320-F



③ x16
T-GC-3.5x45



22. Extension INSIDE FINISHING BOARD



① x4

M-18x70x1105
or
M-18x70x1235
or
M-18x70x1365

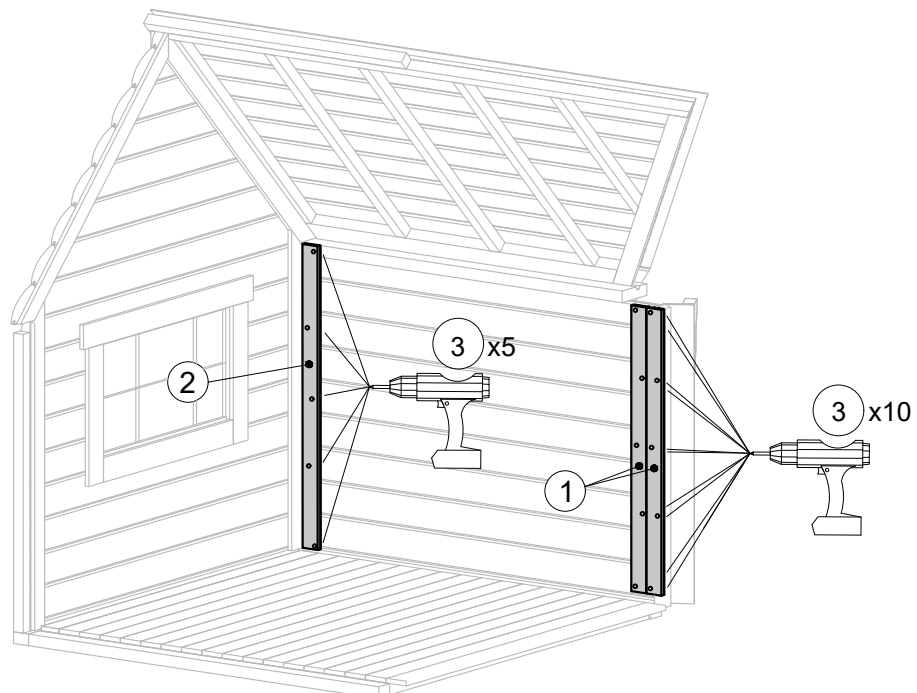
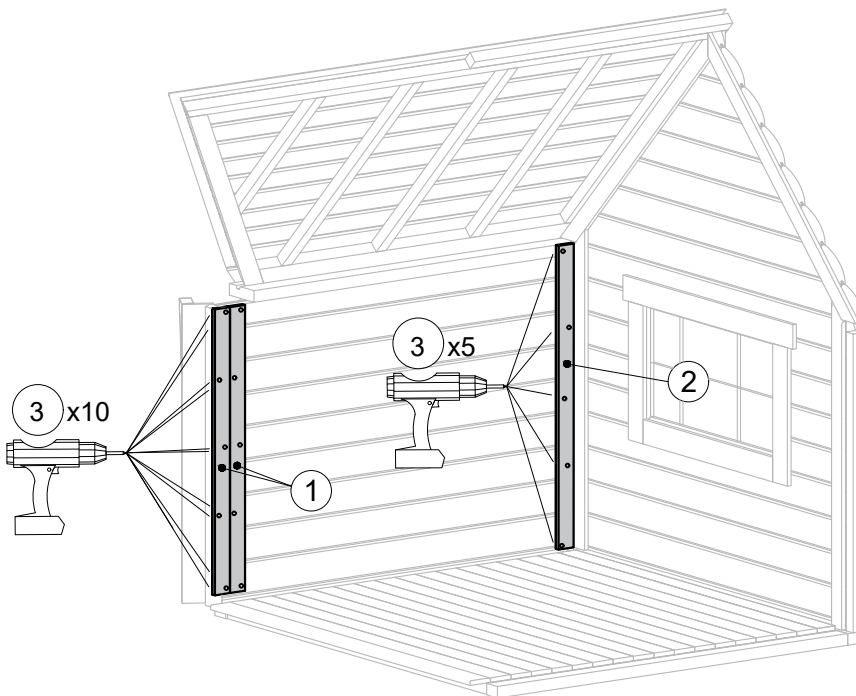


② x2

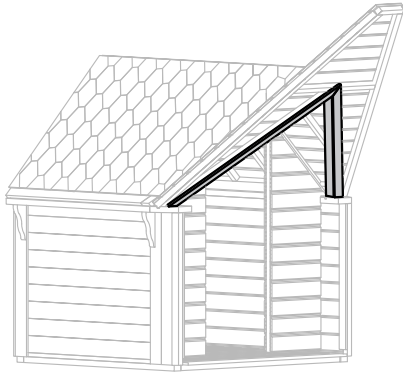
M-18x70x1150
or
M-18x70x1280
or
M-18x70x1410



③ x30
T-GC-3.5x45



23. Extension INSIDE FINISHING BOARD

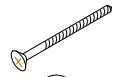


① x2

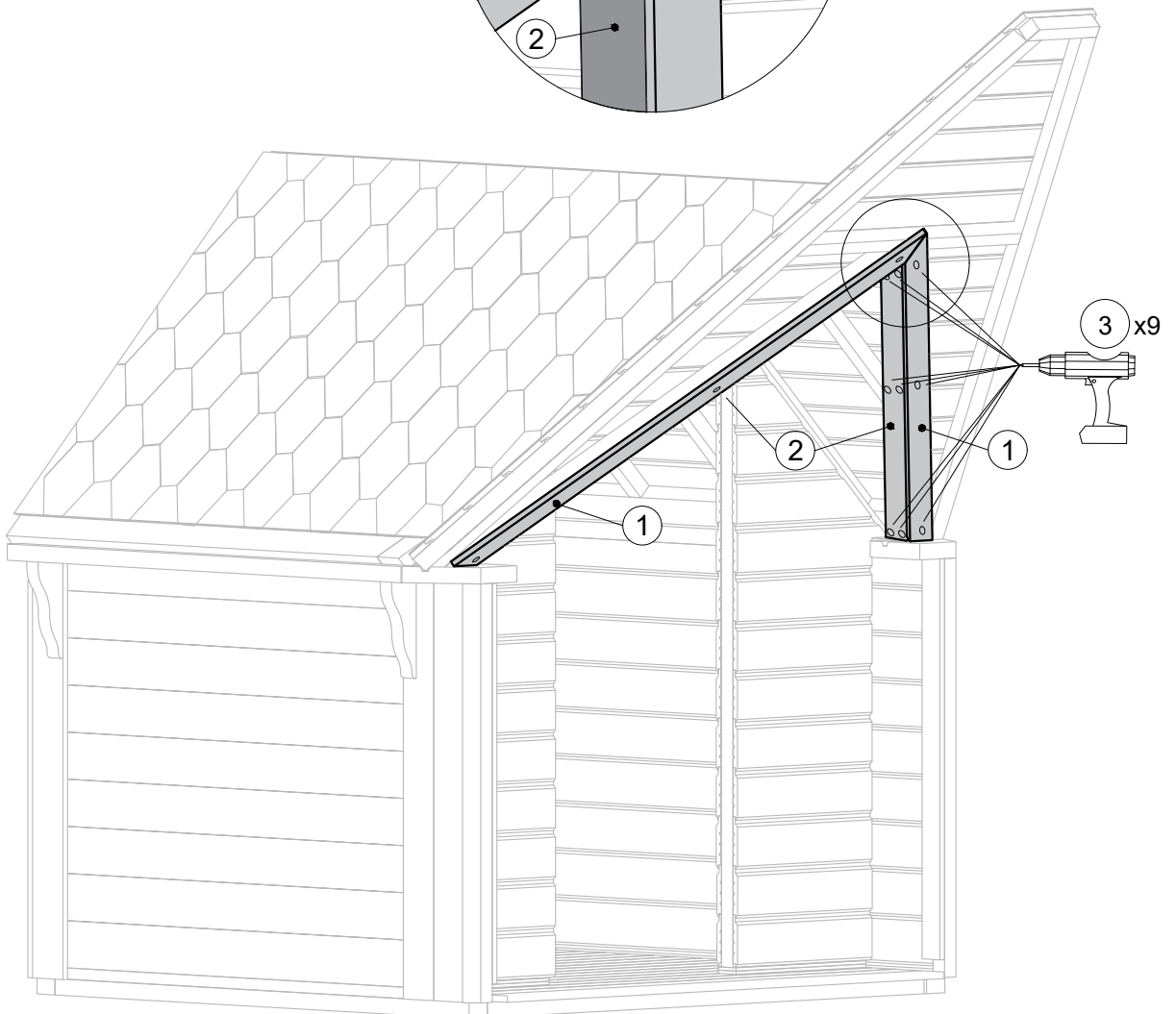
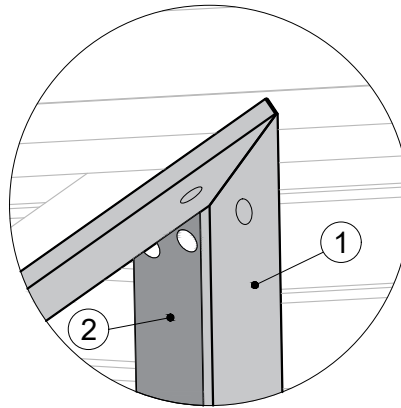
M-18x70x1580-F
or
M-18x70x1565-F

② x2

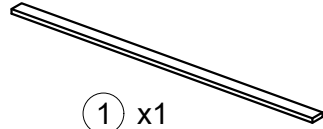
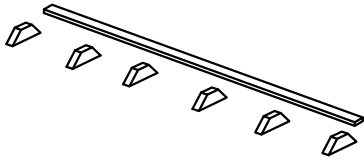
M-18x120x1610-F
or
M-18x120x1595-F



③ x18
T-GC-3.5x45



24. Extension INSIDE FINISHING BOARD



① x1

M-18x70x2400
or
M-18x70x3200
or
M-18x70x3700

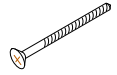


② x 7 (3m²)
or

② x 9 (4.3m²)
or

② x 10 (5.2m²)

M-45x70x250-F

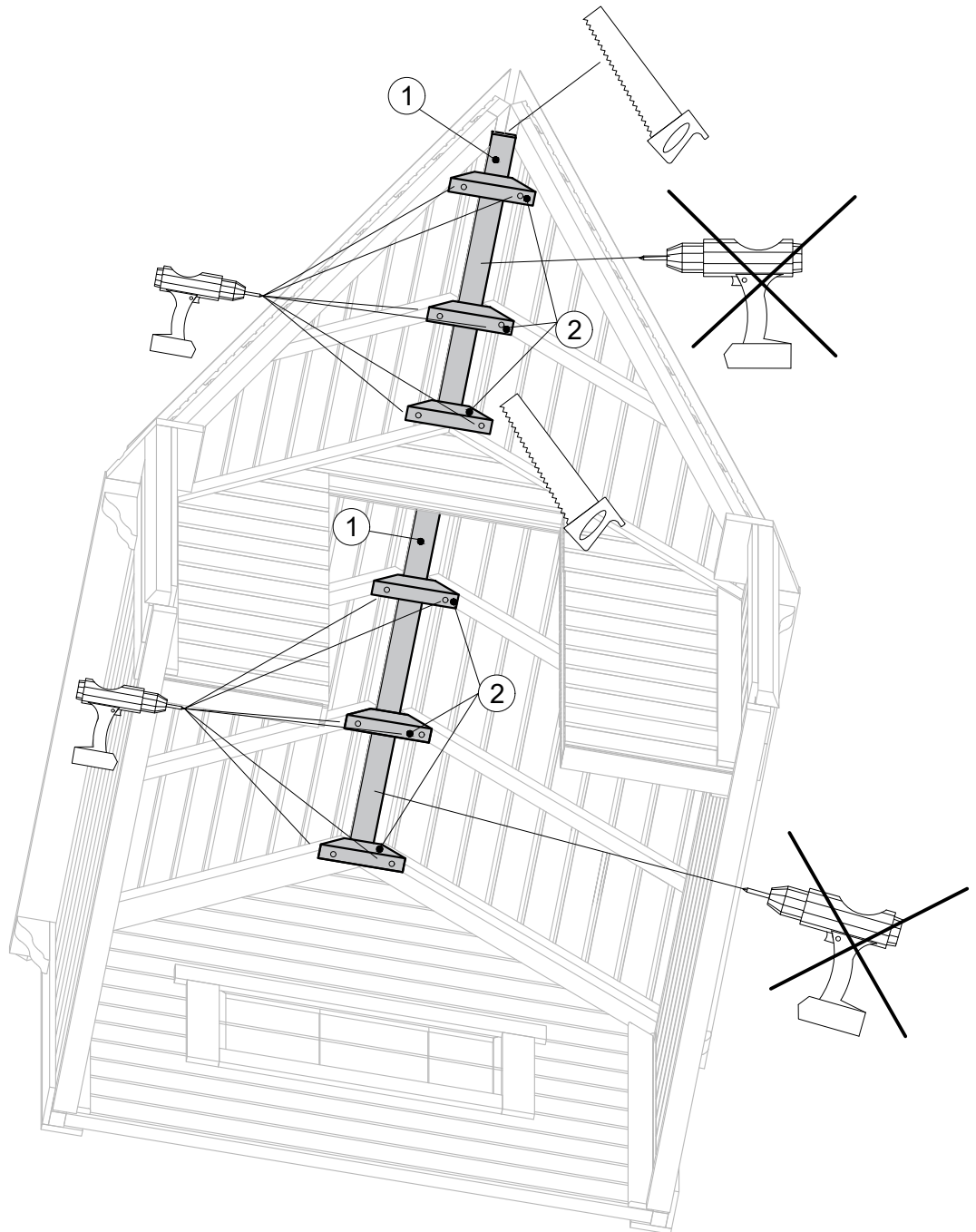


③ x 14 (3m²)
or

③ x 18 (4.3m²)
or

③ x 20 (5.2m²)

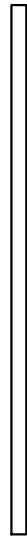
T-GC-5x80



25. Extension FLOOR FINISHING BOARD

① x2

M-18x70x1700
or
M-18x70x2500
or
M-18x70x3000



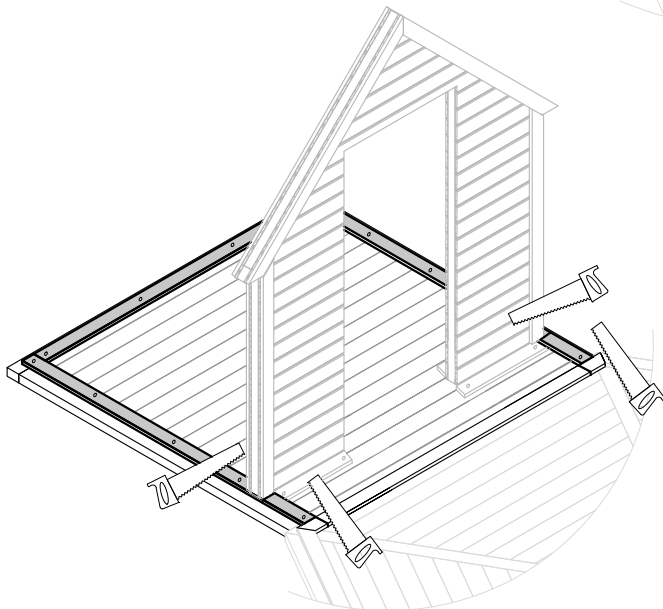
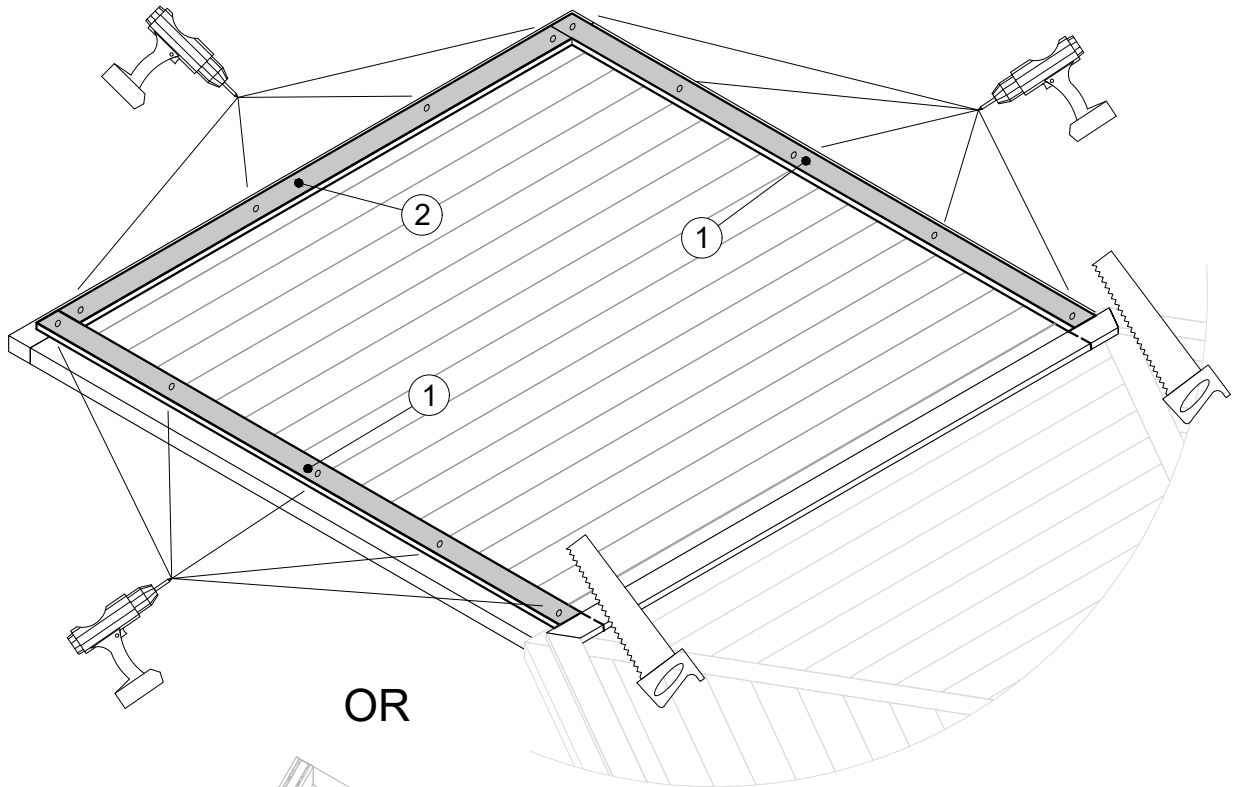
② x1

M-18x70x1599

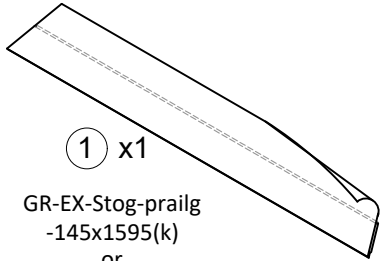


③ x24

T-GC-3.5x45



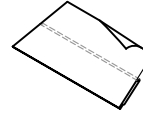
26. Extension ROOF FINISHING



① x1

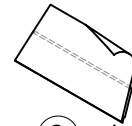
GR-EX-Stog-prailg
-145x1595(k)
or
GR-EX-Stog-prailg
-145x2395(k)
or
GR-EX-Stog-prailg
-145x2895(k)

OR

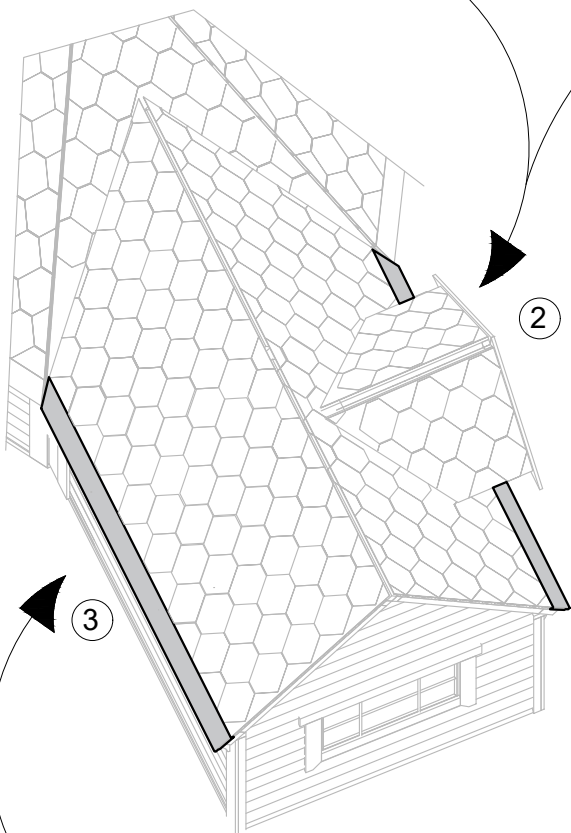


② x1

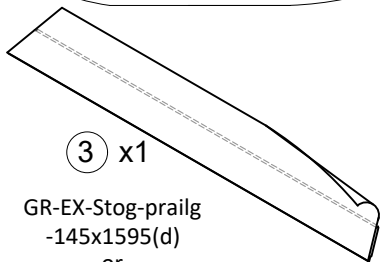
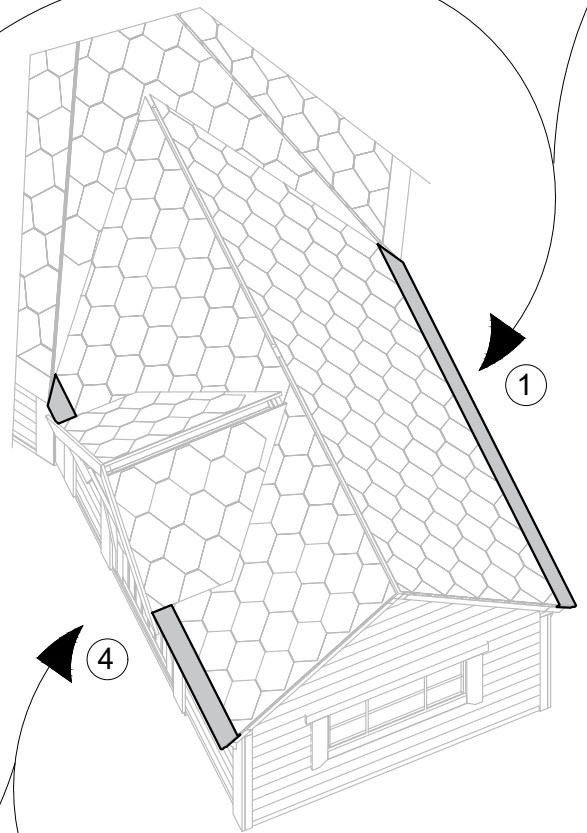
GR-EX-StogD-prailg-648;948-A850(k)
or
GR-EX-StogD-prailg-648;728-A1070(k)
or
GR-EX-StogD-prailg-648;1448-A850(k)
or
GR-EX-StogD-prailg-648;1228-A1070(k)



② x1



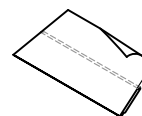
OR



③ x1

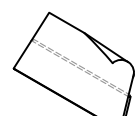
GR-EX-Stog-prailg
-145x1595(d)
or
GR-EX-Stog-prailg
-145x2395(d)
or
GR-EX-Stog-prailg
-145x2895(d)

OR



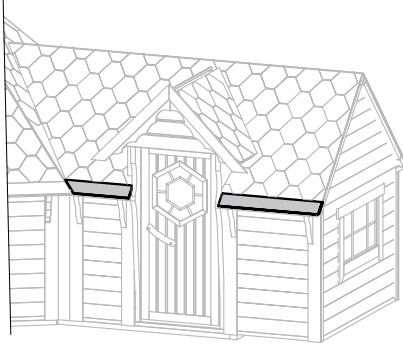
④ x1

GR-EX-StogD-prailg-648;948-A850(d)
or
GR-EX-StogD-prailg-648;728-A1070(d)
or
GR-EX-StogD-prailg-648;1448-A850(d)
or
GR-EX-StogD-prailg-648;1228-A1070(d)

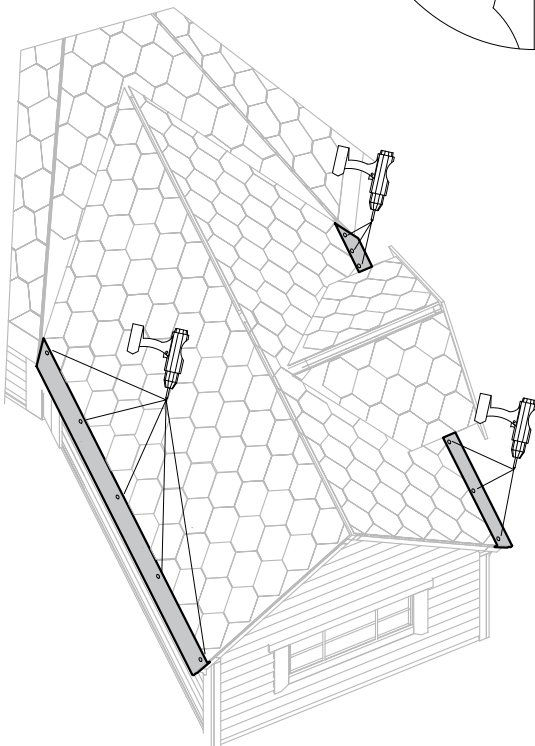
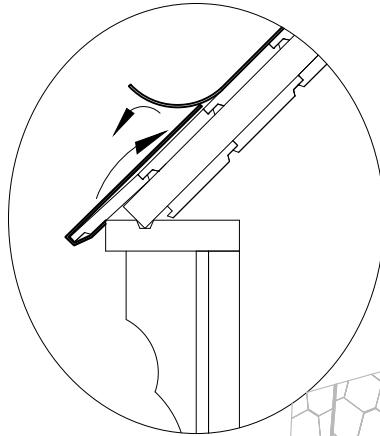
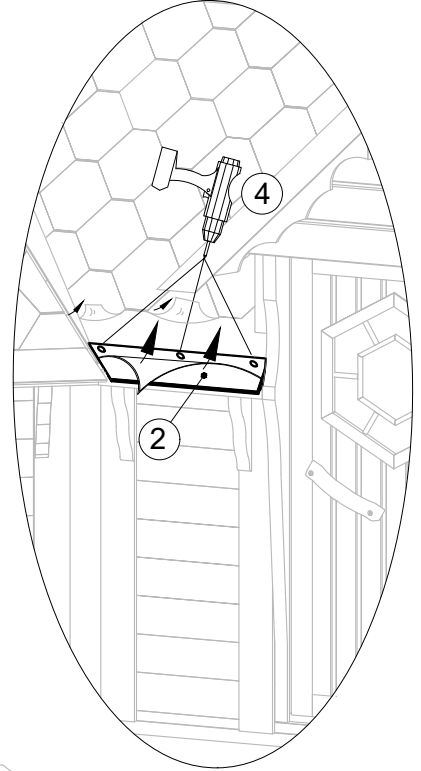
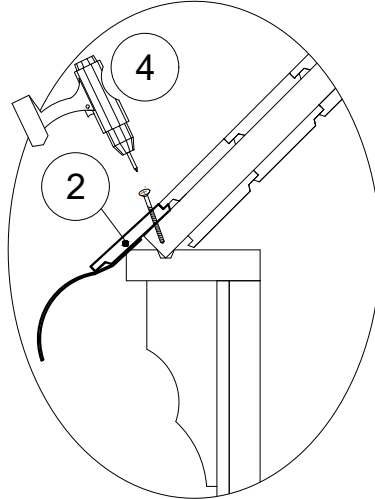
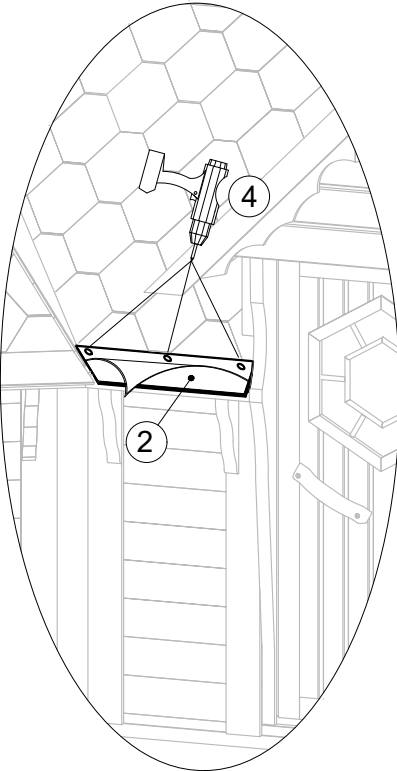


④ x1

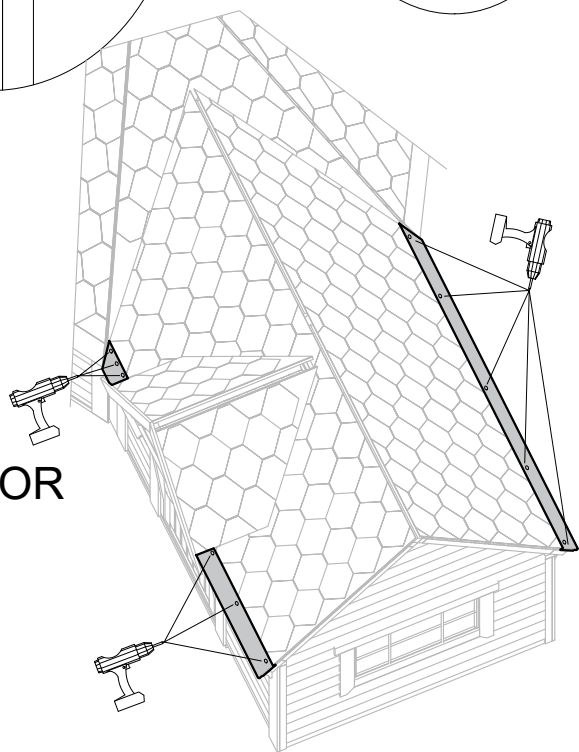
26.1 Extension ROOF FINISHING



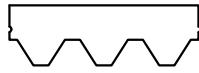
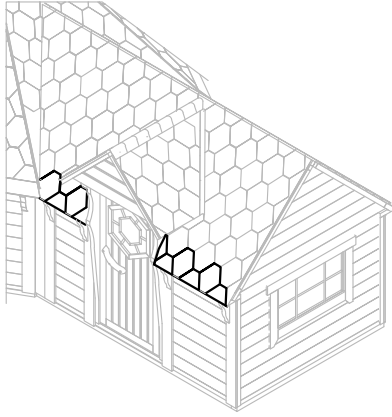
① x10
T-BC-4x50



OR

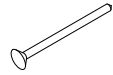


26.2 Extension ROOF FINISHING



① x8

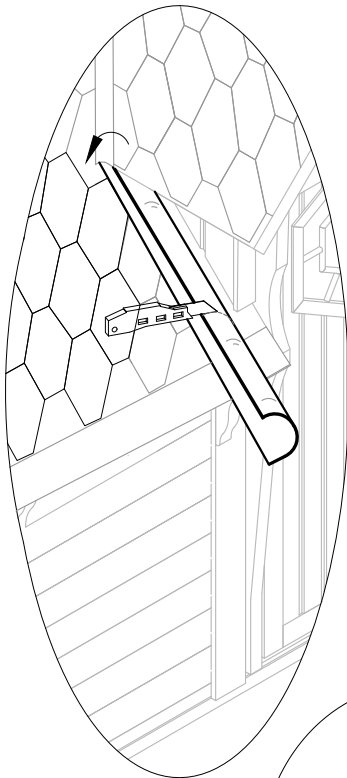
Bitumes-cerpes
-3x317x1000



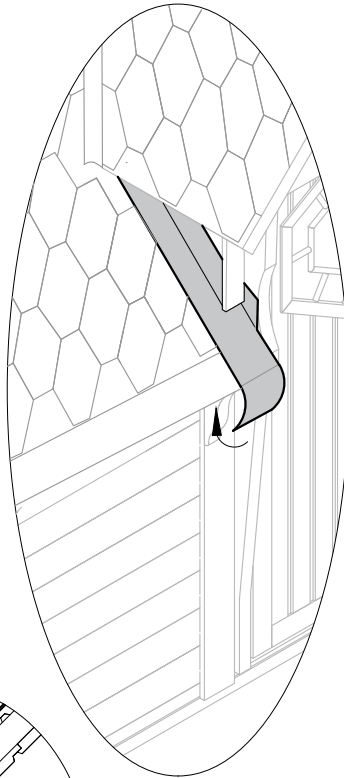
② x160

T-V-2x20

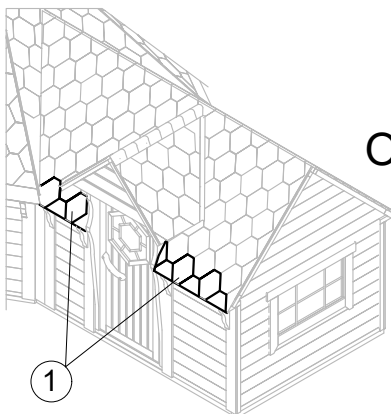
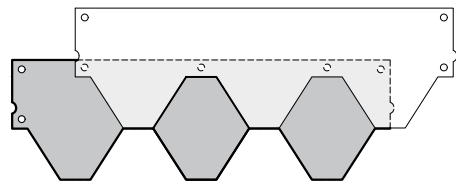
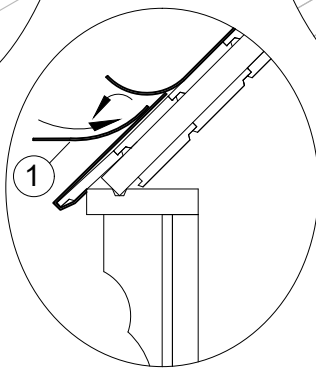
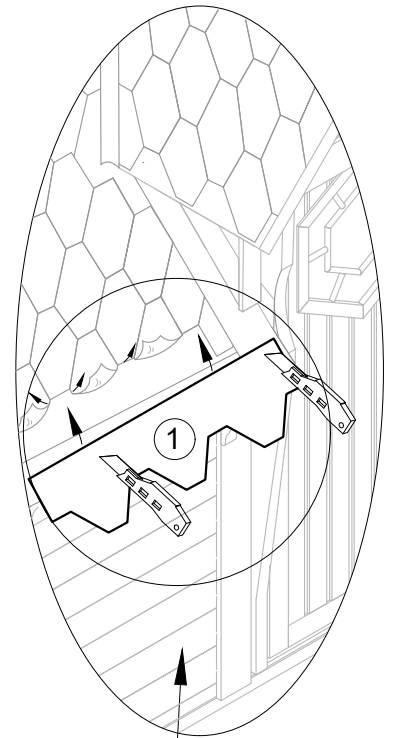
1 Step



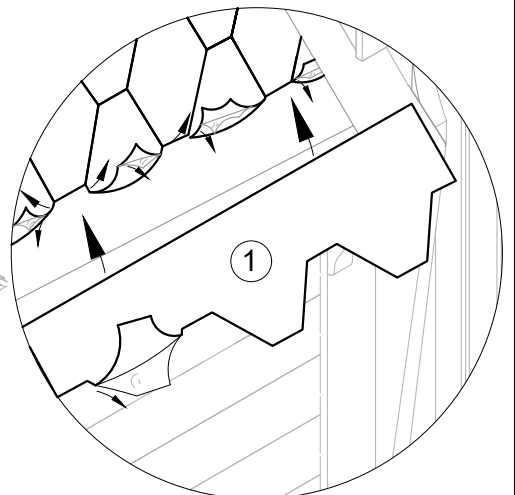
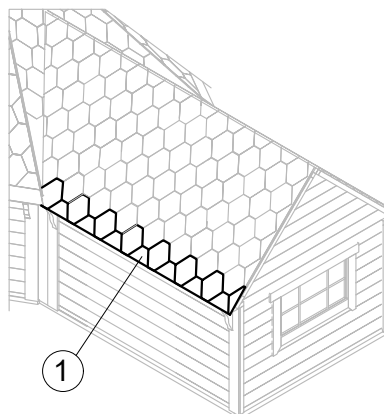
2 Step



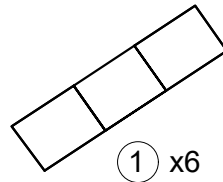
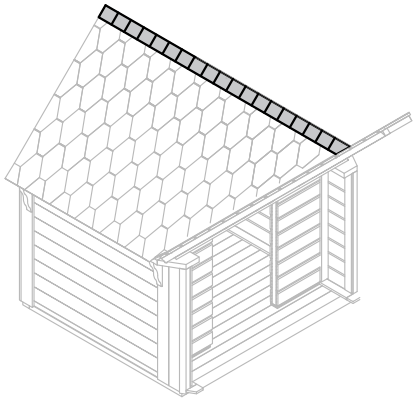
3 Step



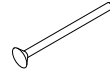
OR



26.3 Extension ROOF FINISHING



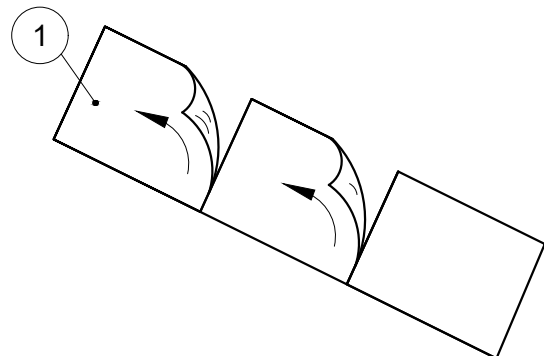
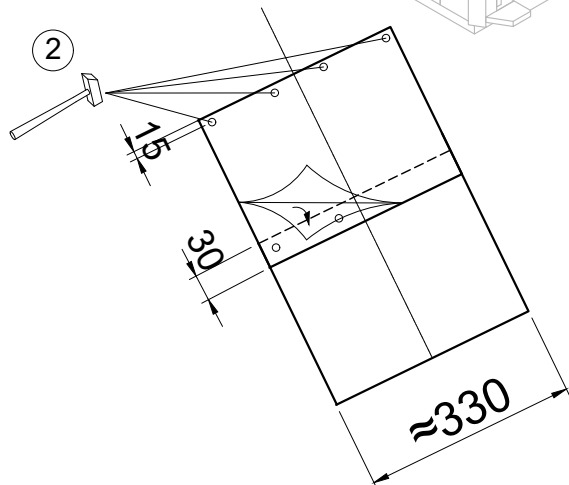
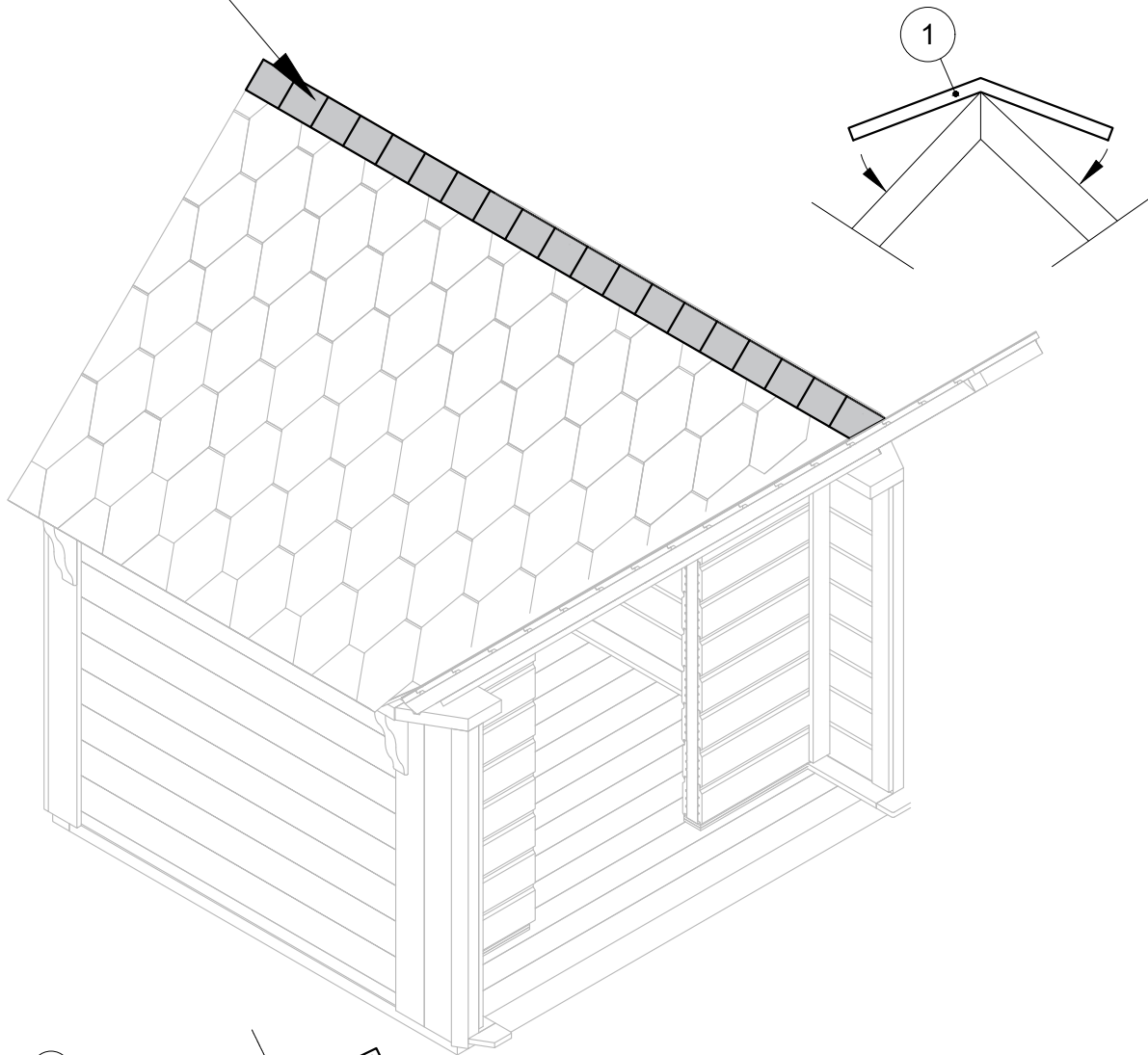
Bitumines-
cerpes-3x1000x250



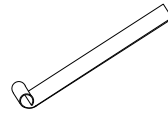
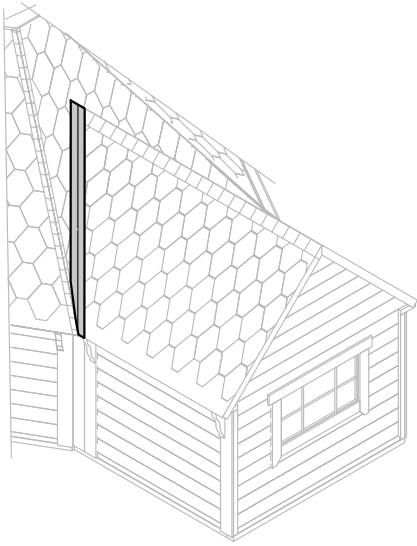
② x 160

T-V-2x20

Start

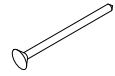


26.4 Extension ROOF FINISHING



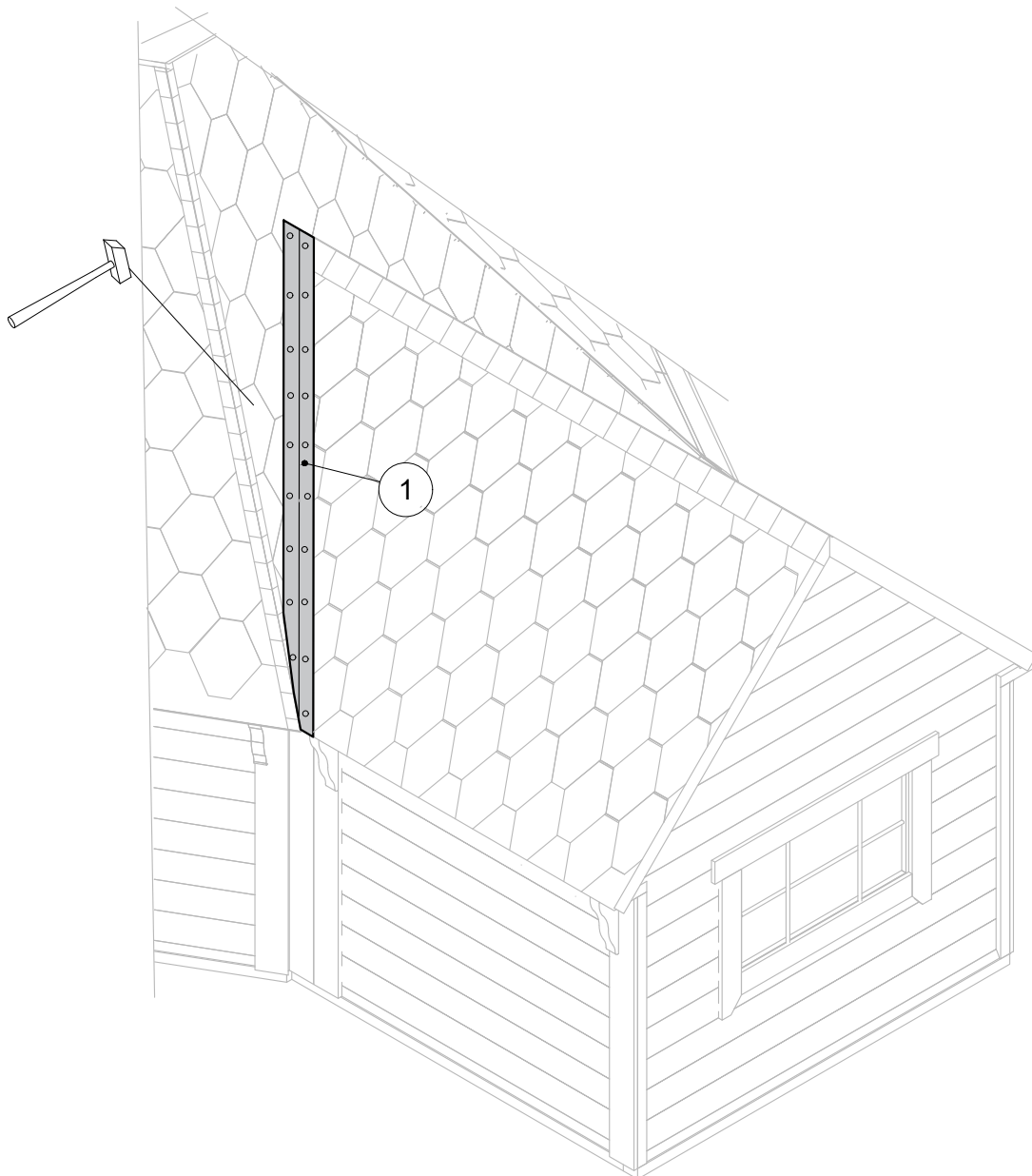
① x2

Bitumine-
juosta-3x200x2500

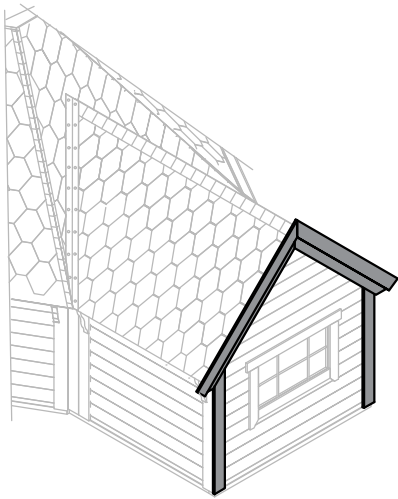


② x 50

T-V-2x20



27. Extension OUTSIDE FINISHING BOARD



① x2

M-18x120x1213-F
or
M-18x120x1343-F
or
M-18x120x1473-F

② x2

M-18x95x1534-F

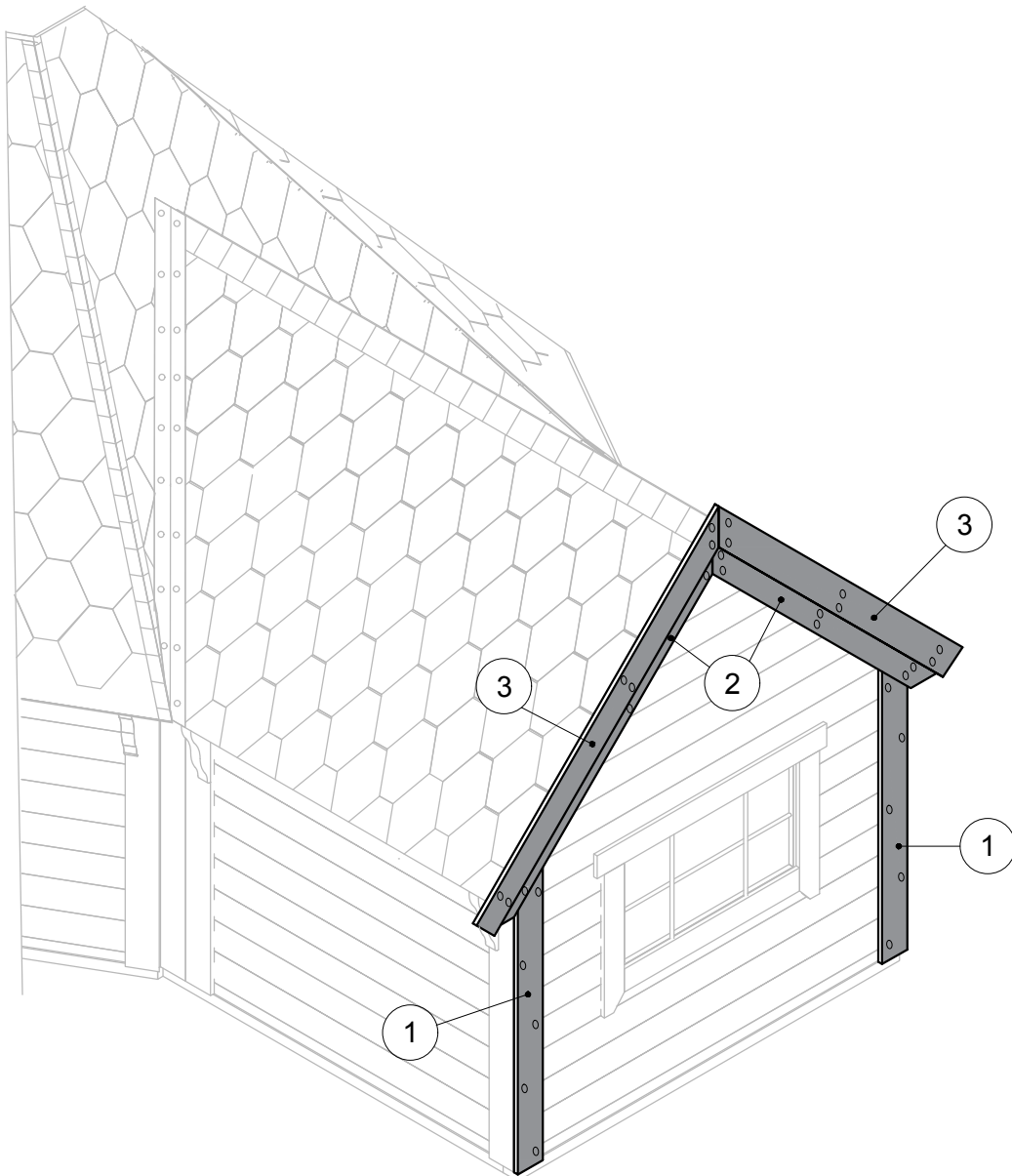
③ x2

M-18x120x1640-F

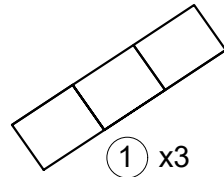
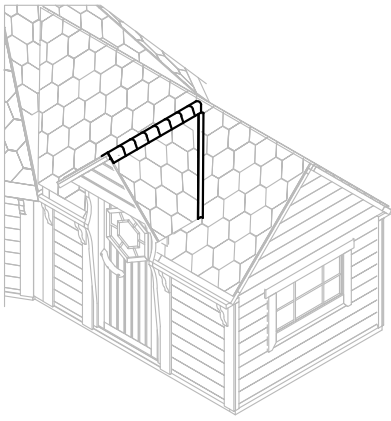


④ x35

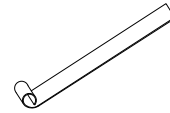
T-BC-4x50



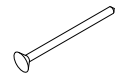
28. Extension ENTRANCE ROOF FINISHING



① x3
Bitumines-
cerpes-3x1000x250

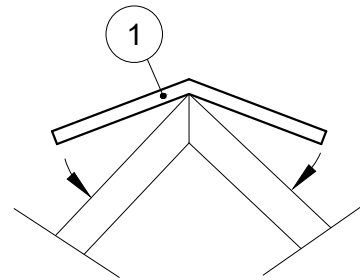
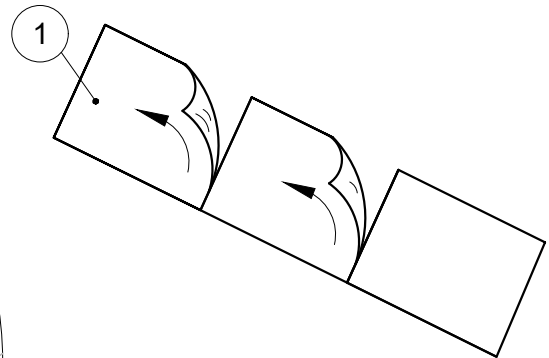
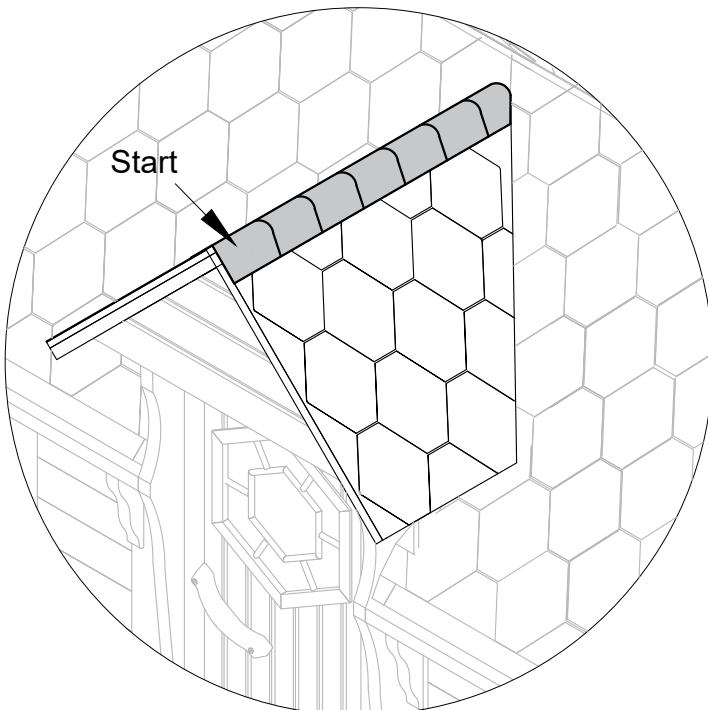


② x2
Bitumine-
juosta-3x70x1360
or
Bitumine-
juosta-3x70x1550

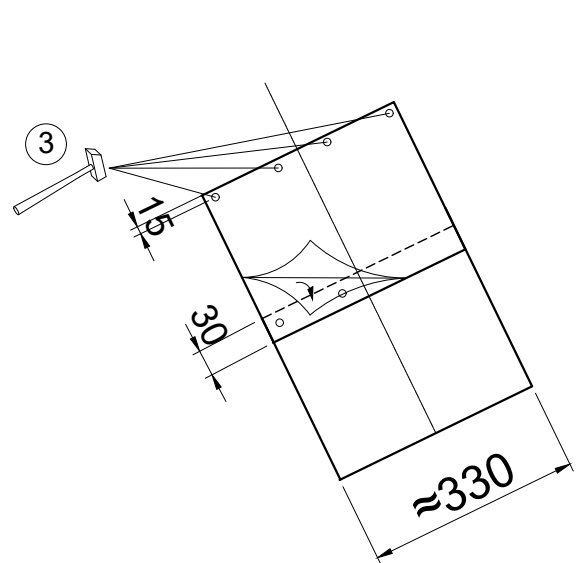
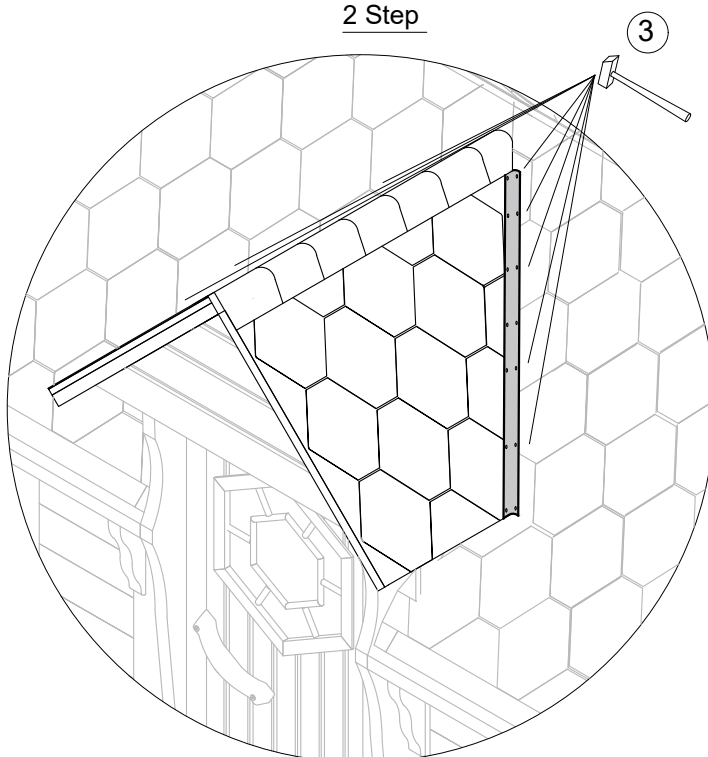


③ x 64
T-V-2x20

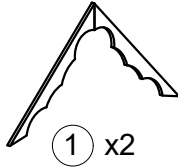
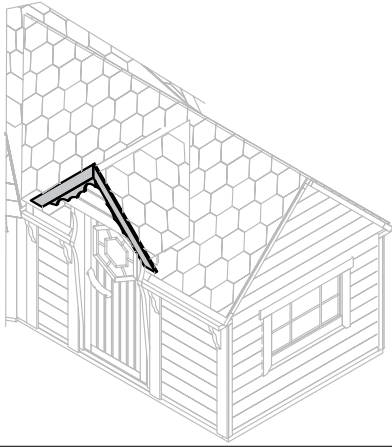
1 Step



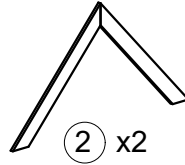
2 Step



29. Extension OUTSIDE FINISHING BOARD



① x2
M-18x95x820-CNC
or
M-18x95x981-CNC

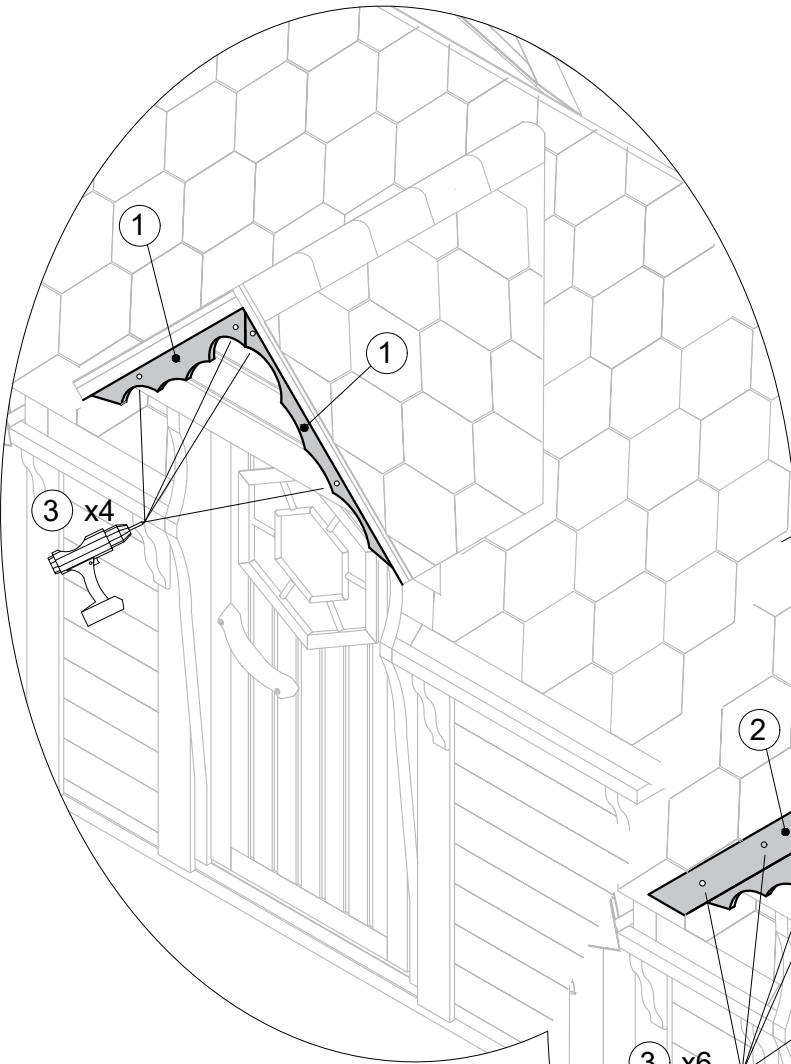


② x2
M-18x95x1050-F
or
M-18x95x1211-F

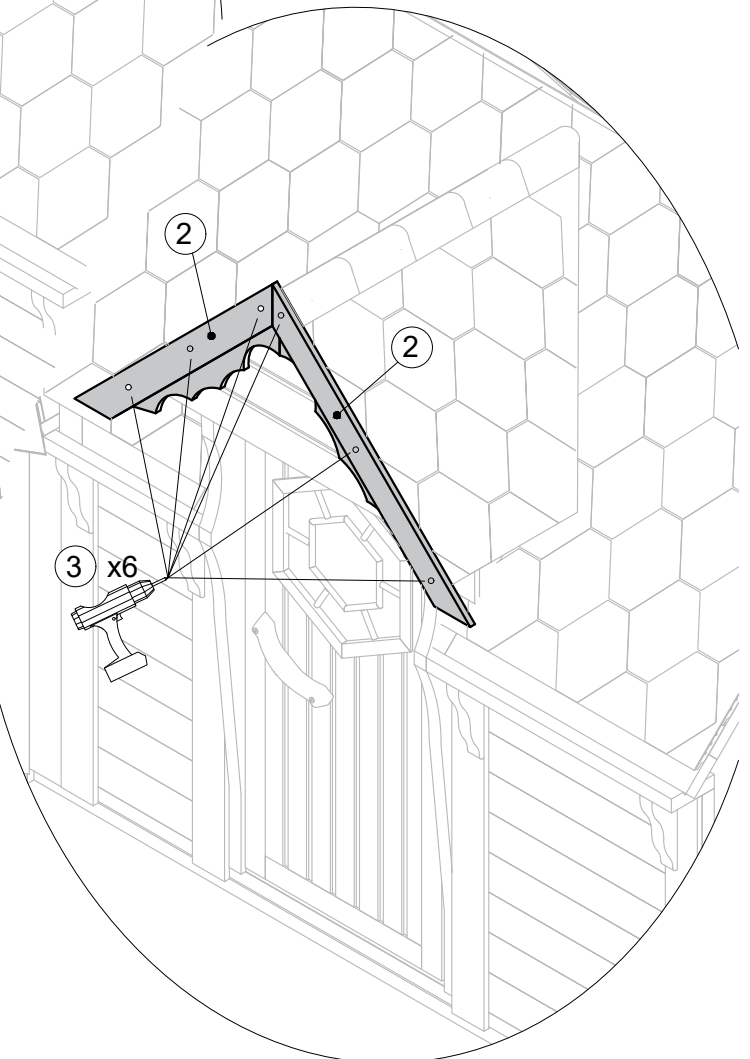


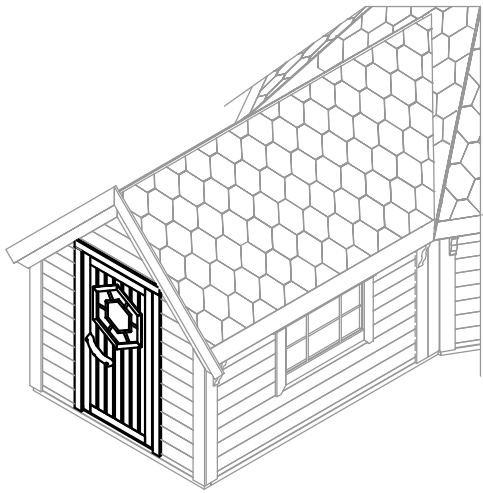
③ x10
T-GC-3.5x45

1 Step



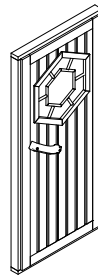
2 Step



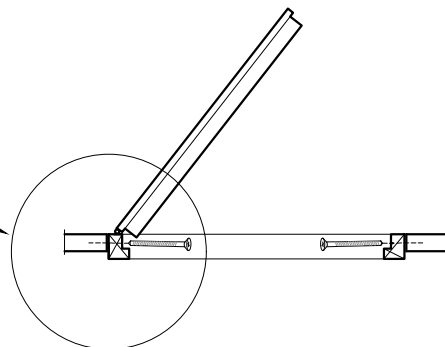
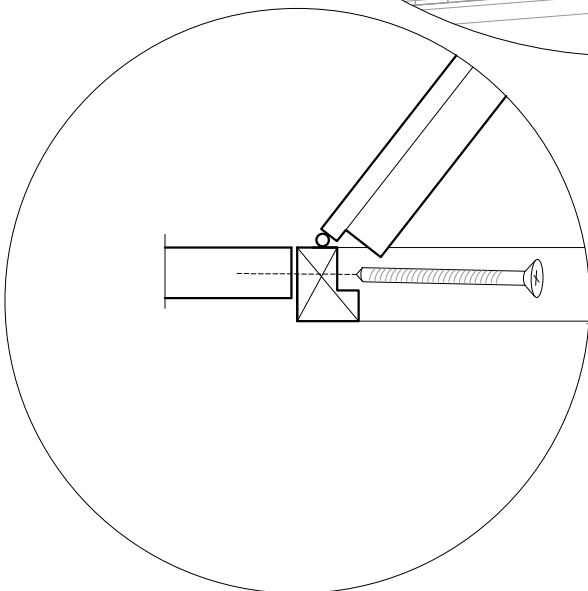
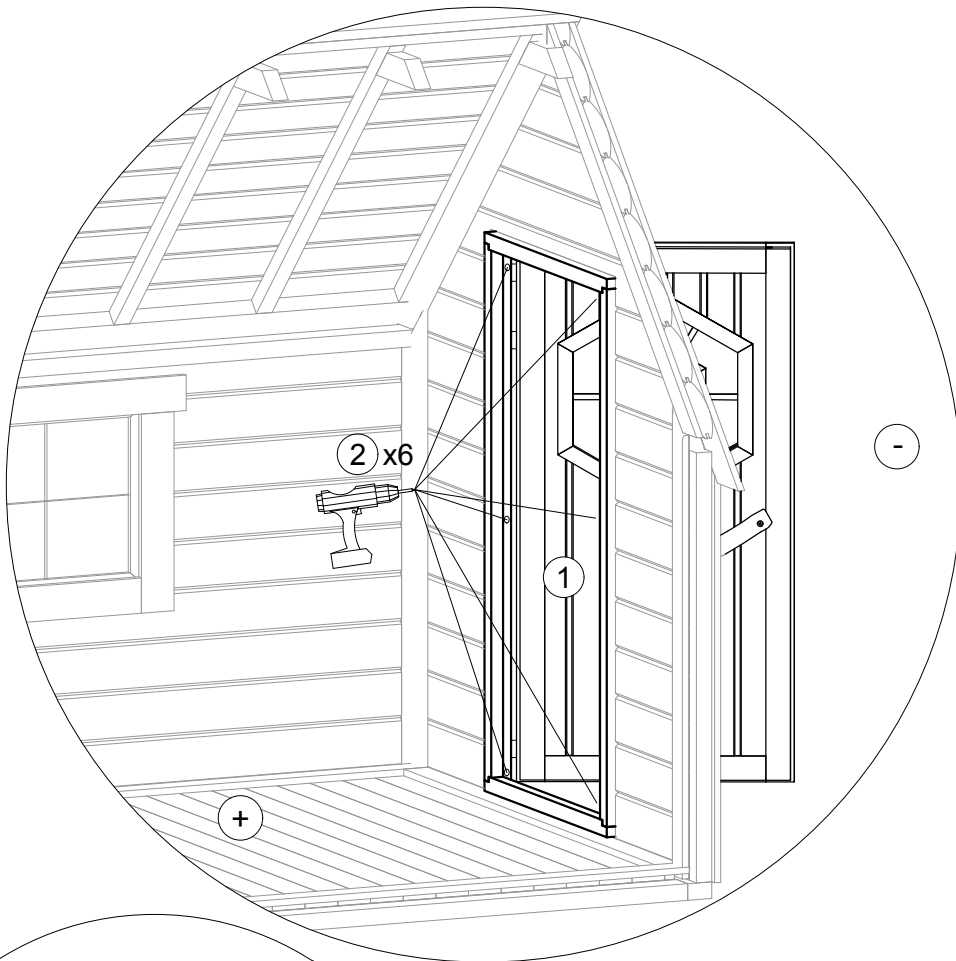


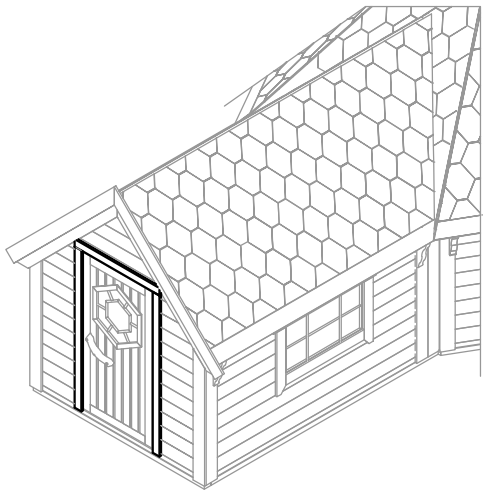
30. Extension OUTSIDE DOOR

① x1
PUS0001
or
PUS0013
or
PUS00320
or
PUS00060
or
PUS00321



② x6
T-GC-5x100





31. Extension OUTSIDE DOOR FINISHING BOARD

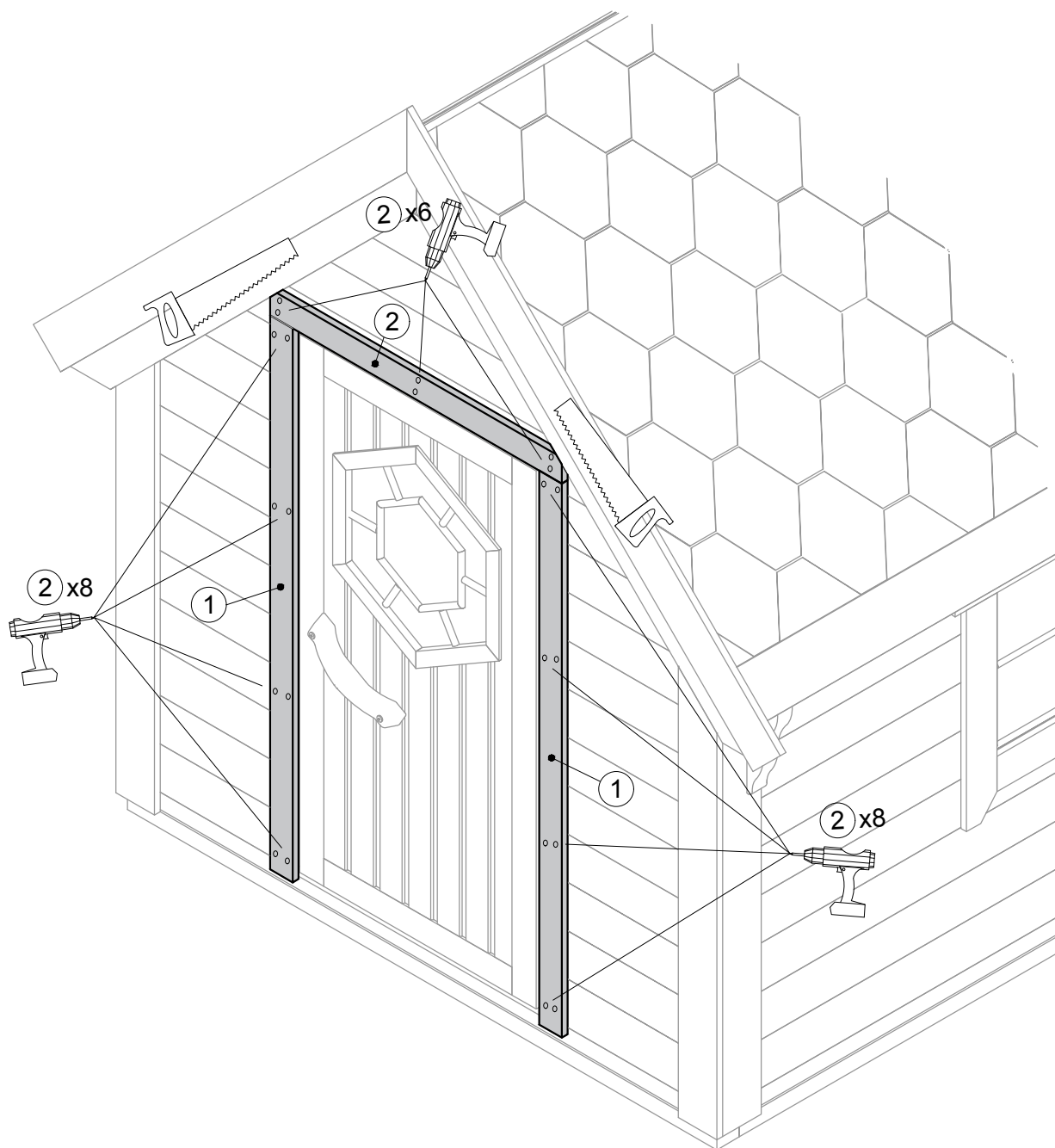
① x2
M-18x70x1490
or
M-18x70x1620
or
M-18x70x1750

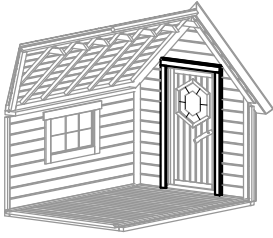


② x1
M-18x70x905
or
M-18x70x1120



③ x22
T-GC-3.5x45





31.1 Extension INSIDE DOOR FINISHING BOARD

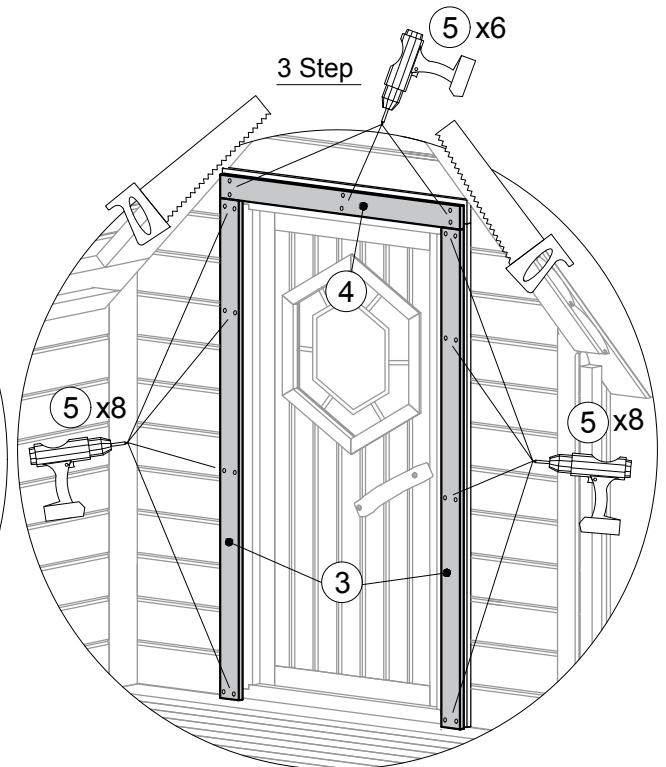
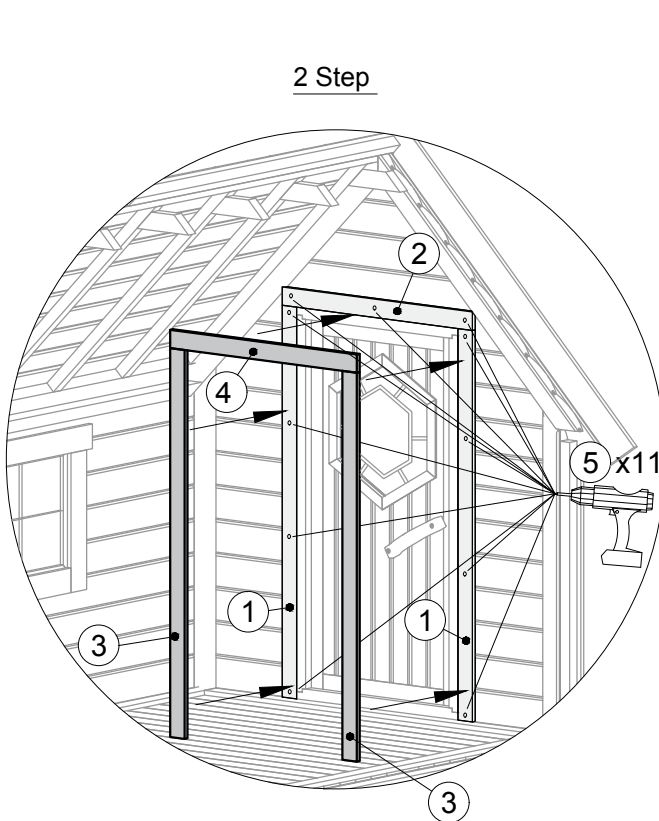
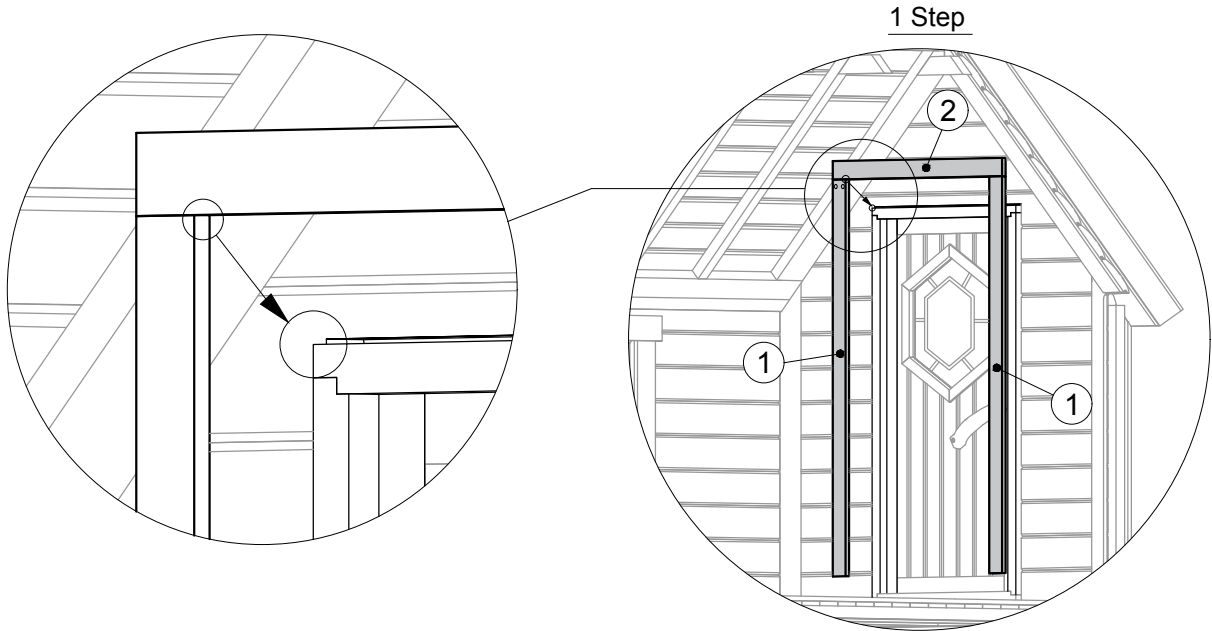
① x2
M-18x70x1500
or
M-18x70x1630
or
M-18x70x1760

② x1
M-18x70x925
or
M-18x70x1140

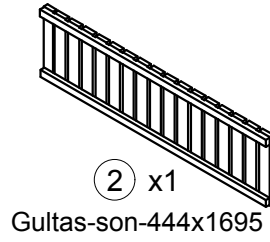
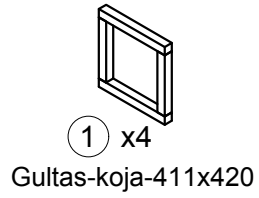
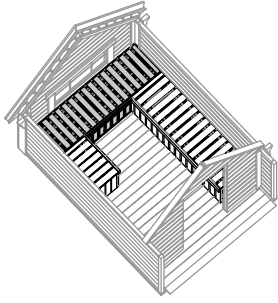
③ x2
M-18x70x1490
or
M-18x70x1620
or
M-18x70x1750

④ x1
M-18x70x905
or
M-18x70x1120

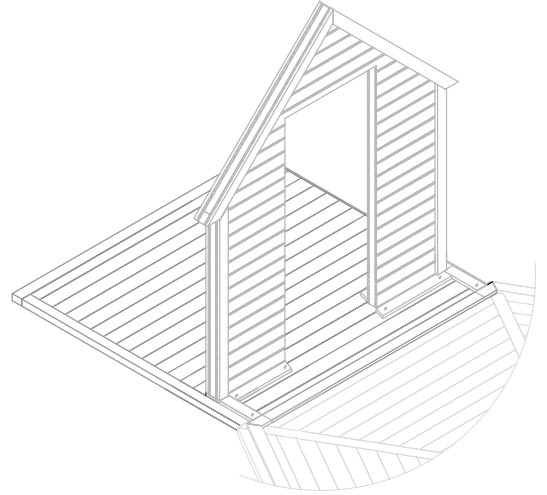
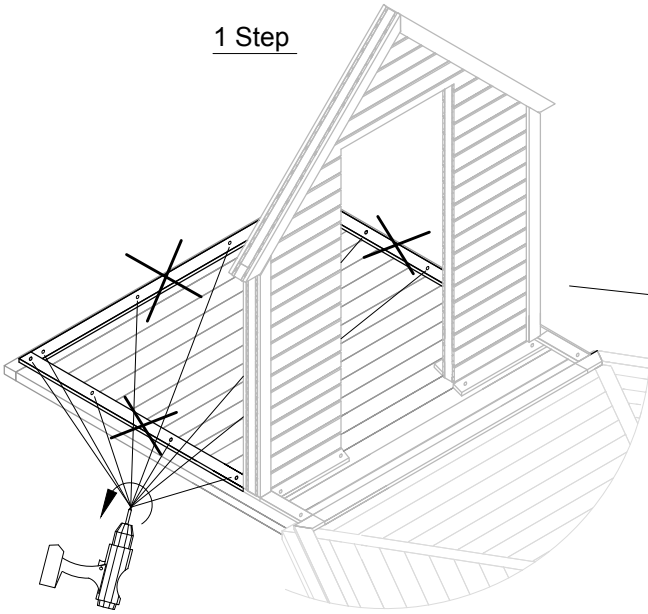
⑤ x33
T-GC-3.5x45



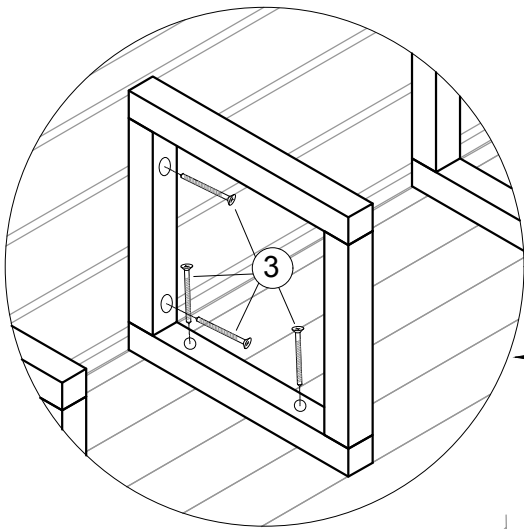
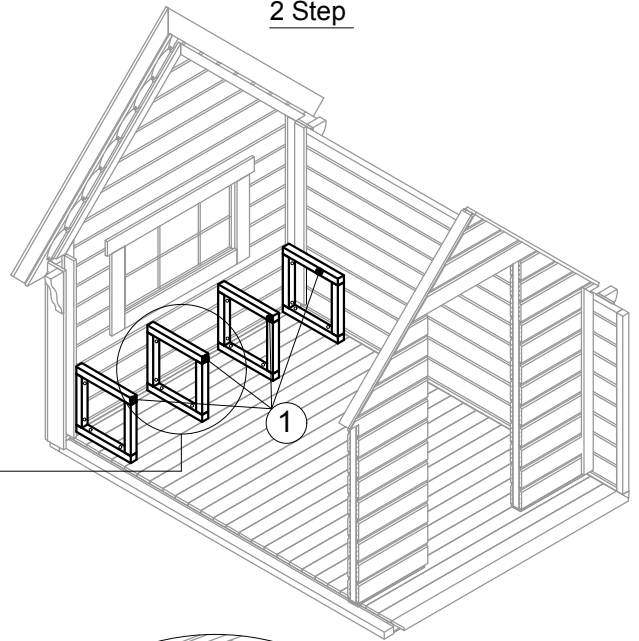
32. Extension SAUNA BENCHES



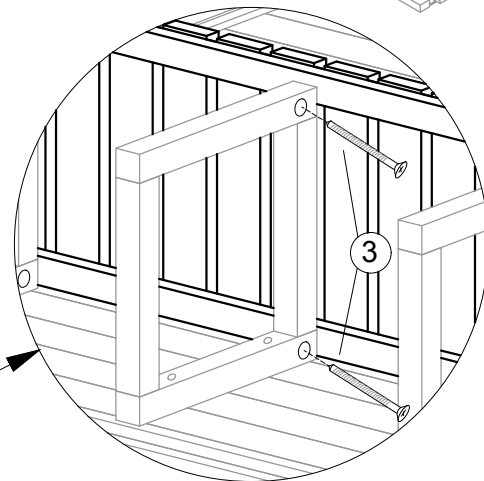
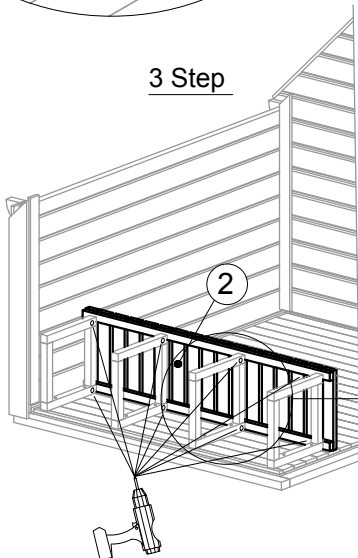
1 Step

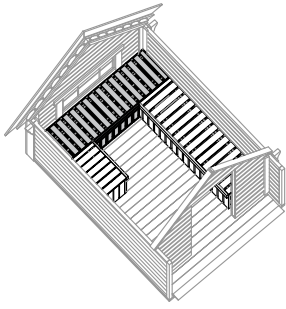


2 Step

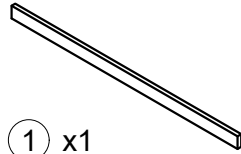


3 Step

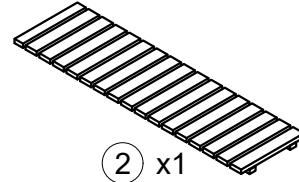




32.1 Extension SAUNA BENCHES



① x1
Mpl-28x82x1695

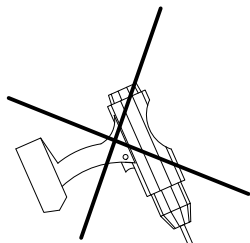
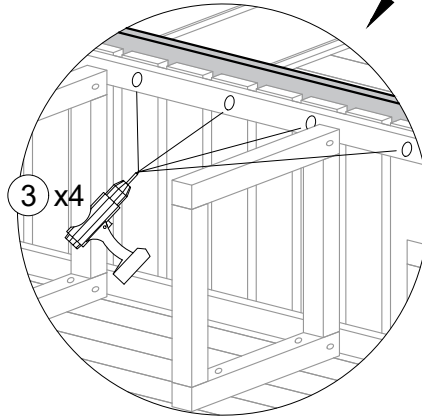
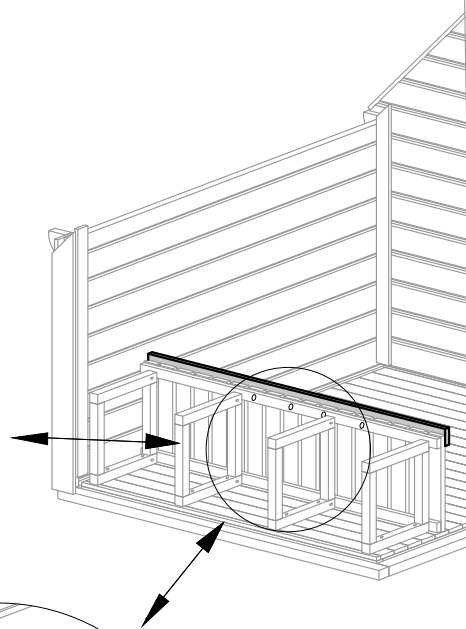
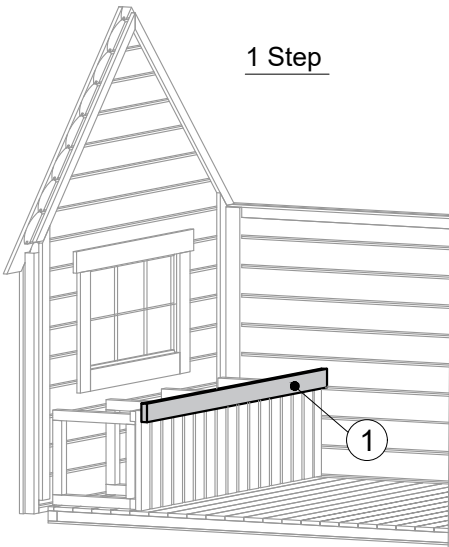


② x1
Gultas-virs-470x1695

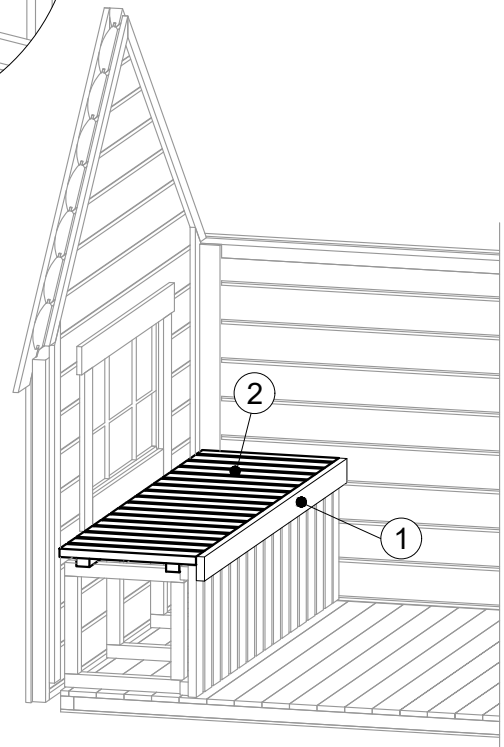
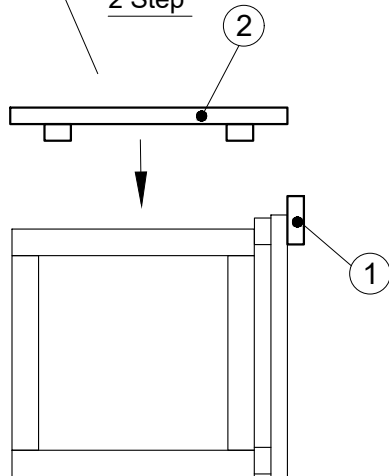


③ x4
T-GC-5x80

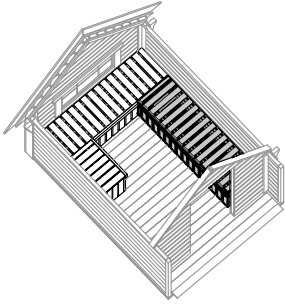
1 Step



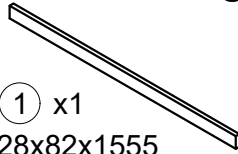
2 Step



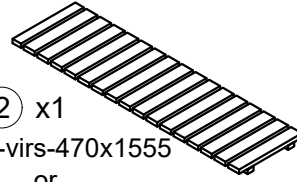
32.3 Extension SAUNA BENCHES



① x1
Mpl-28x82x1555
or
Mpl-28x82x2055



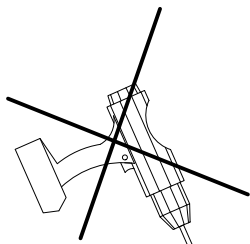
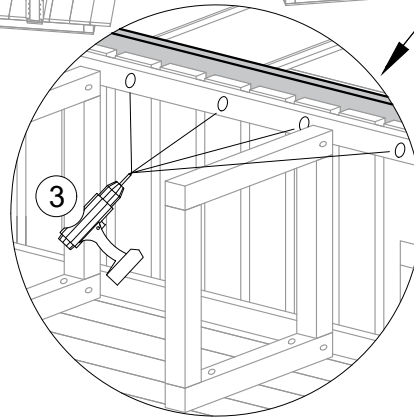
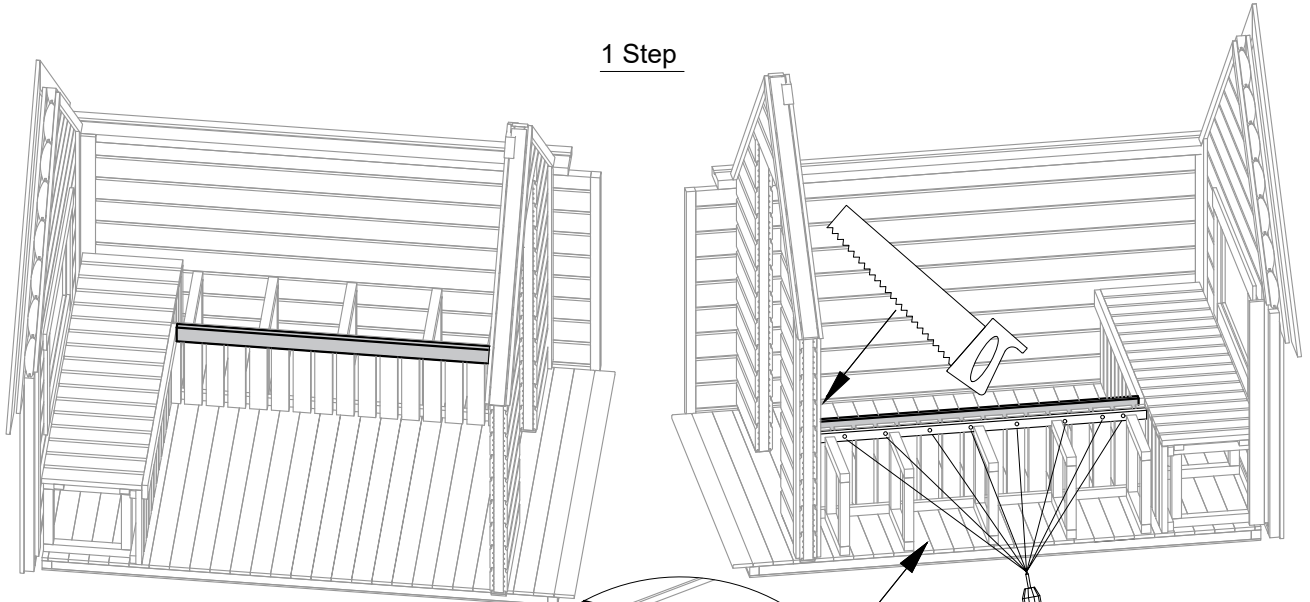
② x1
Gultas-virs-470x1555
or
Gultas-virs-470x2055



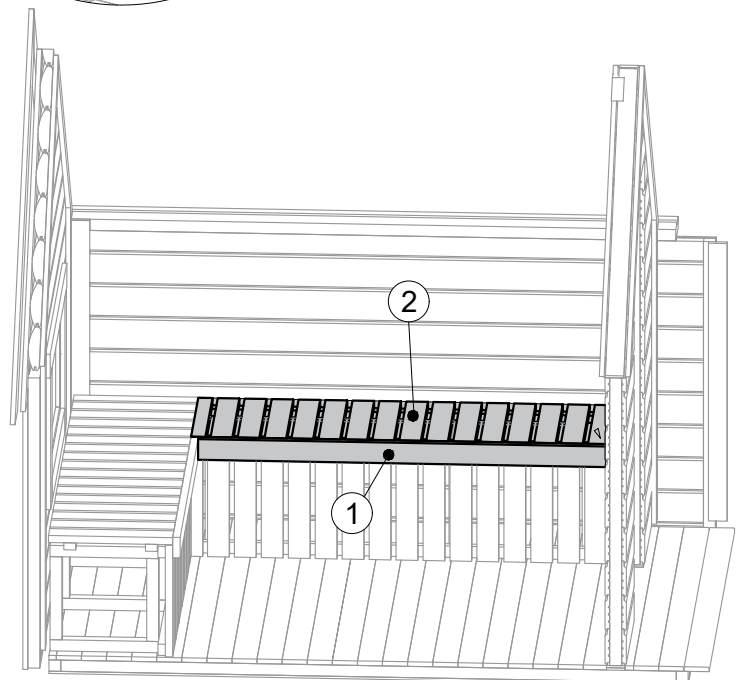
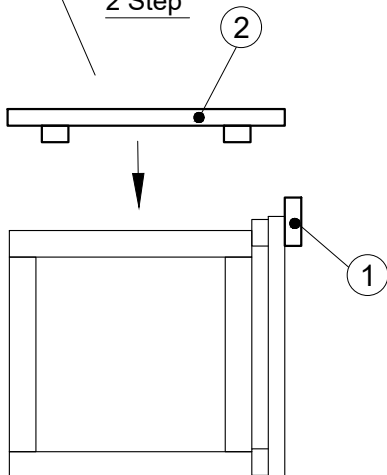
③ x10
T-GC-5x80

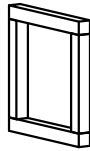
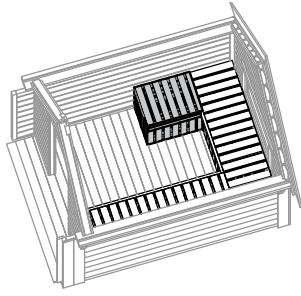


1 Step

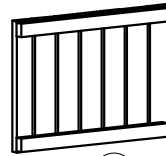


2 Step





① x3 or (2)
Gultas-koja-411x420



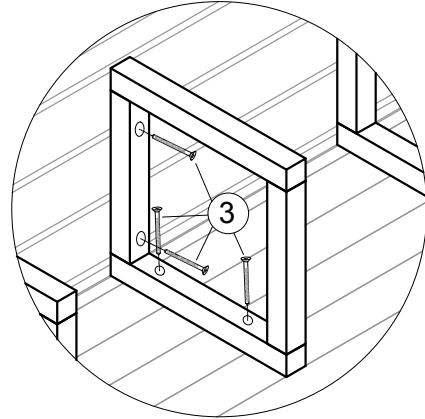
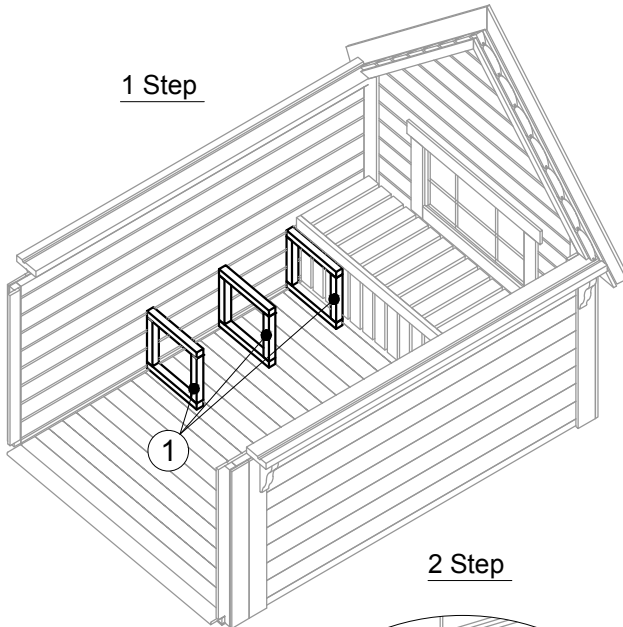
② x1
Gultas-son-444x612
or
Gultas-son-444x1112



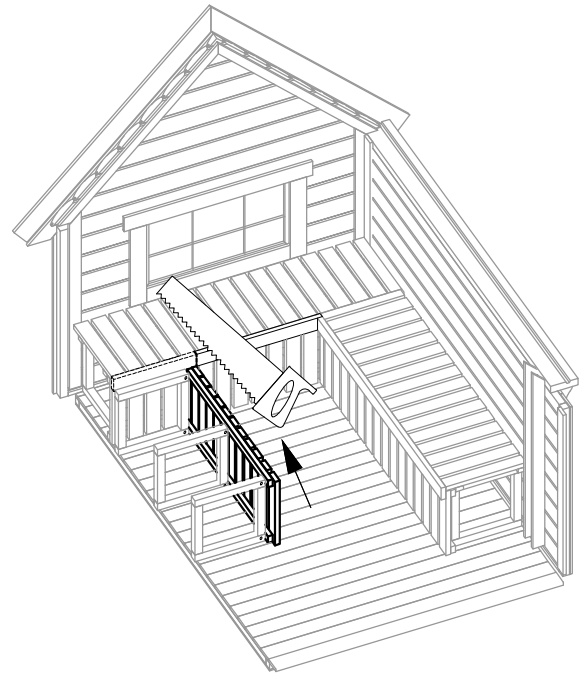
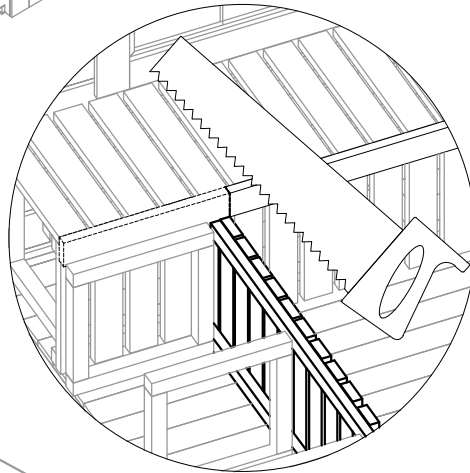
③ x18
T-GC-5x80

32.4 Extension SAUNA BENCHES

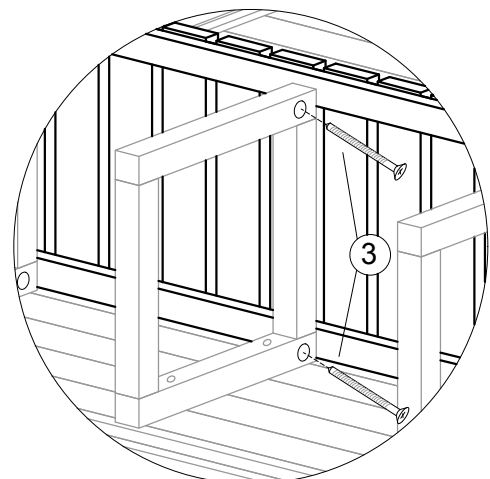
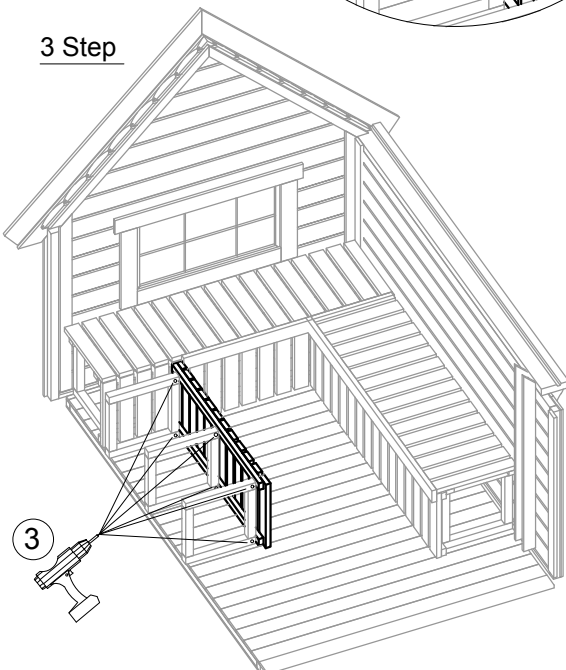
1 Step

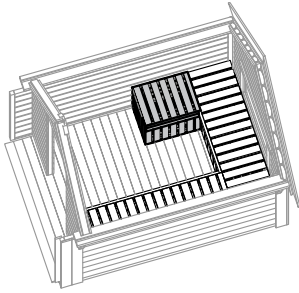


2 Step

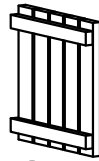


3 Step

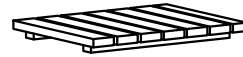




① x1
Mpl-28x82x612
or
Mpl-28x82x1112



② x1
Gultas-gal-440x444



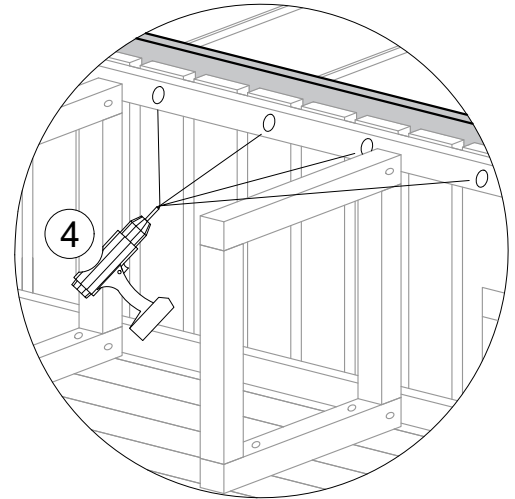
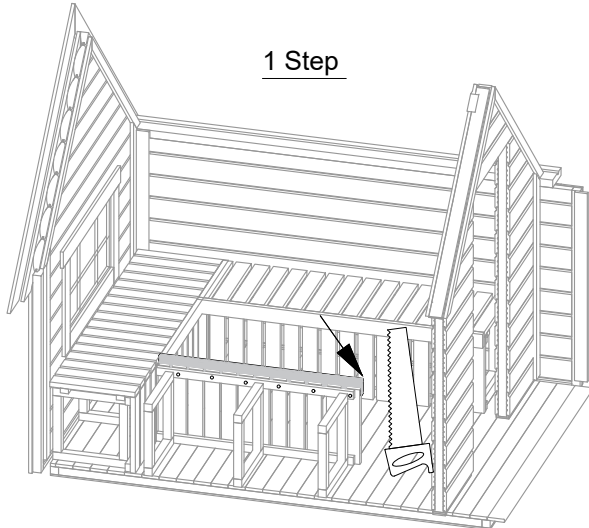
③ x1
Gultas-virs-470x612
or
Gultas-virs-470x1112



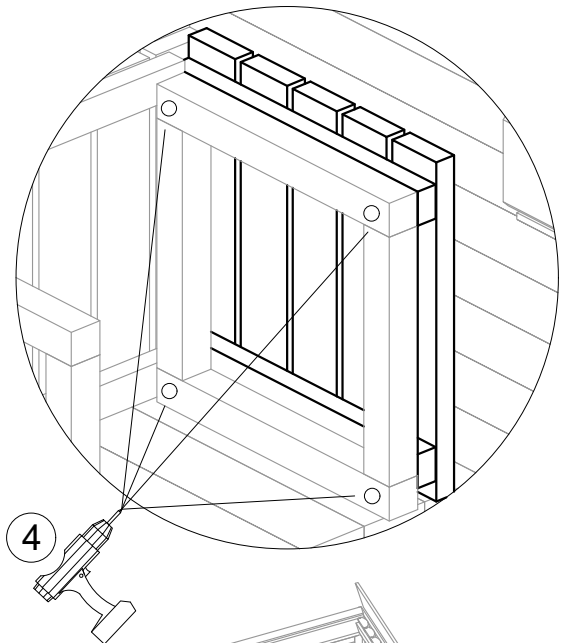
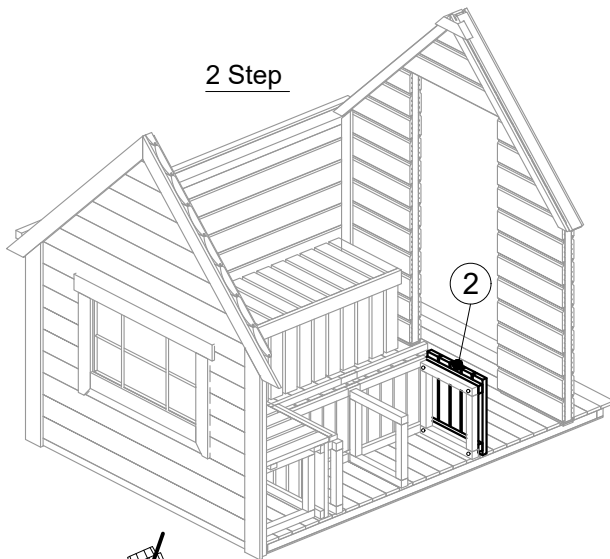
④ x10
T-GC-5x80

32.5 Extension SAUNA BENCHES

1 Step



2 Step



3 Step

