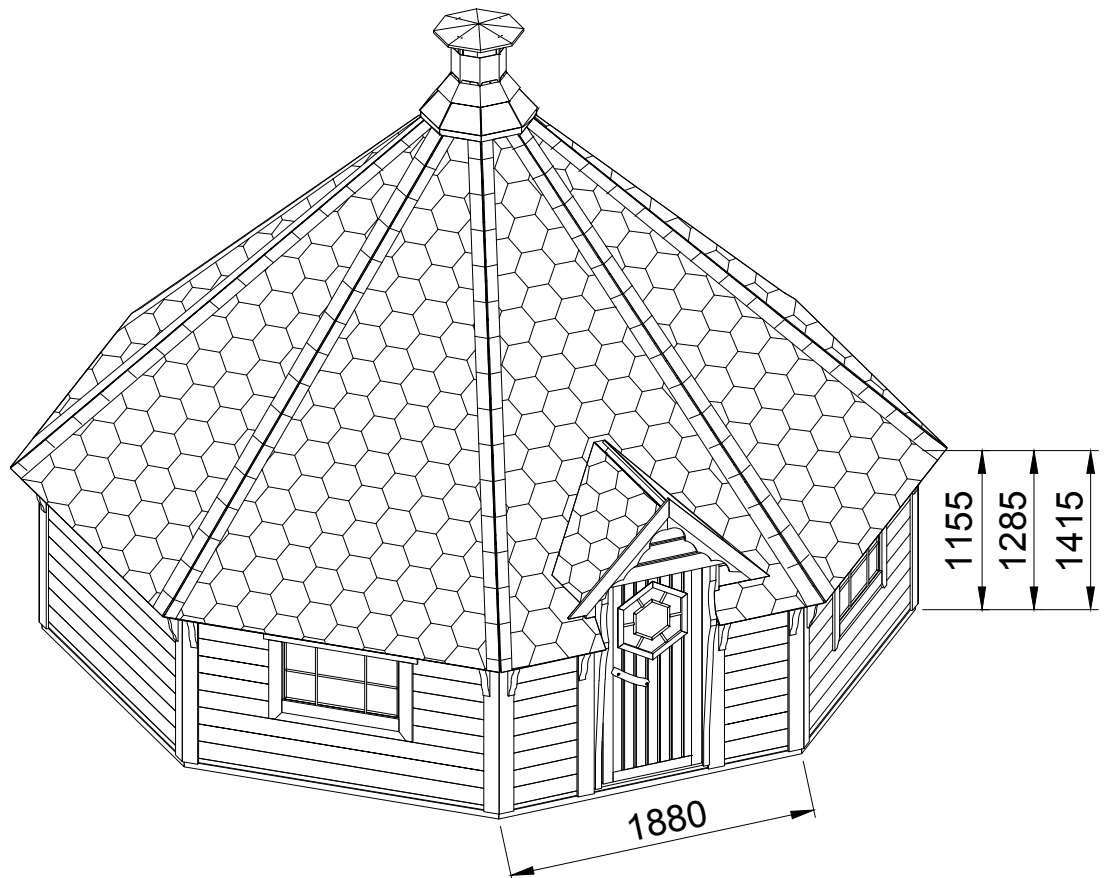
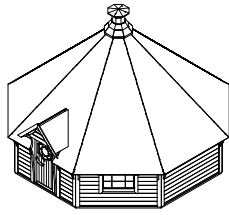


# GRILL / CAMPING/ SAUNA CABIN 16.5

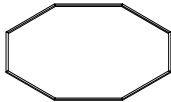


# GRILL / CAMPING/ SAUNA CABIN 16.5

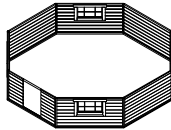
Grill/Camping cabin



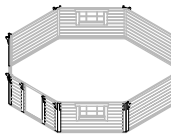
**1. Step:**  
wood ring



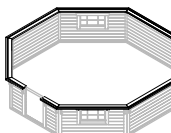
**2. Step:**  
walls



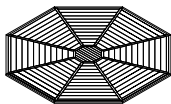
**3. Step:**  
decoration (support)



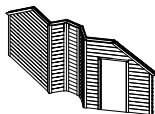
**4. Step:**  
roof support ring



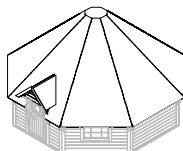
**5. Step:**  
floors



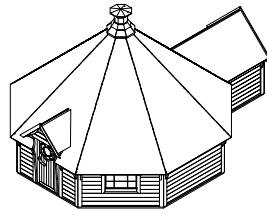
**6. Step:**  
inside wall



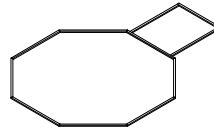
**7. Step:**  
roof



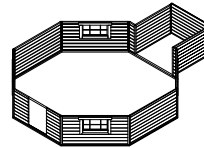
Grill+Extension



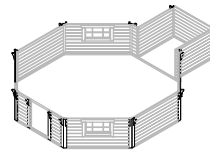
**1. Step:**  
wood ring



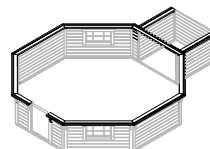
**2. Step:**  
walls



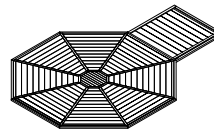
**3. Step:**  
decoration (support)



**4. Step:**  
roof support ring



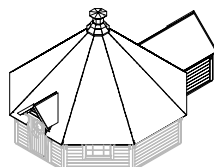
**5. Step:**  
floors



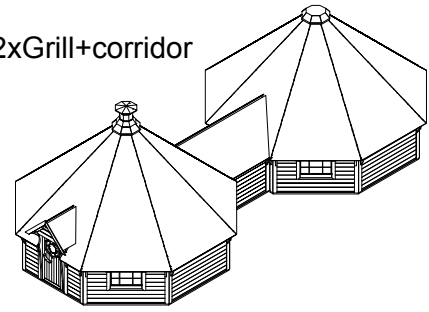
**6. Step:**  
inside wall



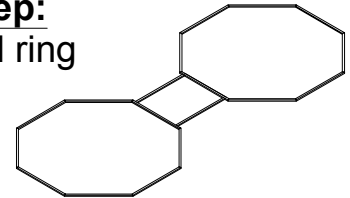
**7. Step:**  
roof



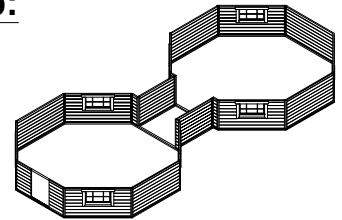
2xGrill+corridor



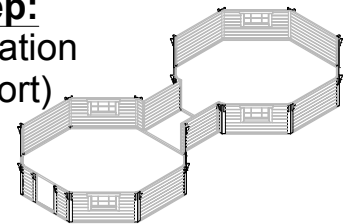
**1. Step:**  
wood ring



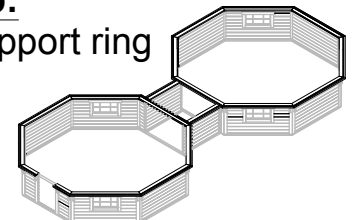
**2. Step:**  
walls



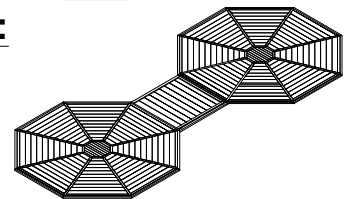
**3. Step:**  
decoration  
(support)



**4. Step:**  
roof support ring



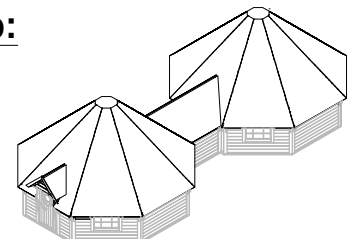
**5. Step:**  
floors



**6. Step:**  
inside wall



**7. Step:**  
roof



## Grill / Camping / Sauna cabin 16.5 Foundation

It is very important to have a proper foundation.

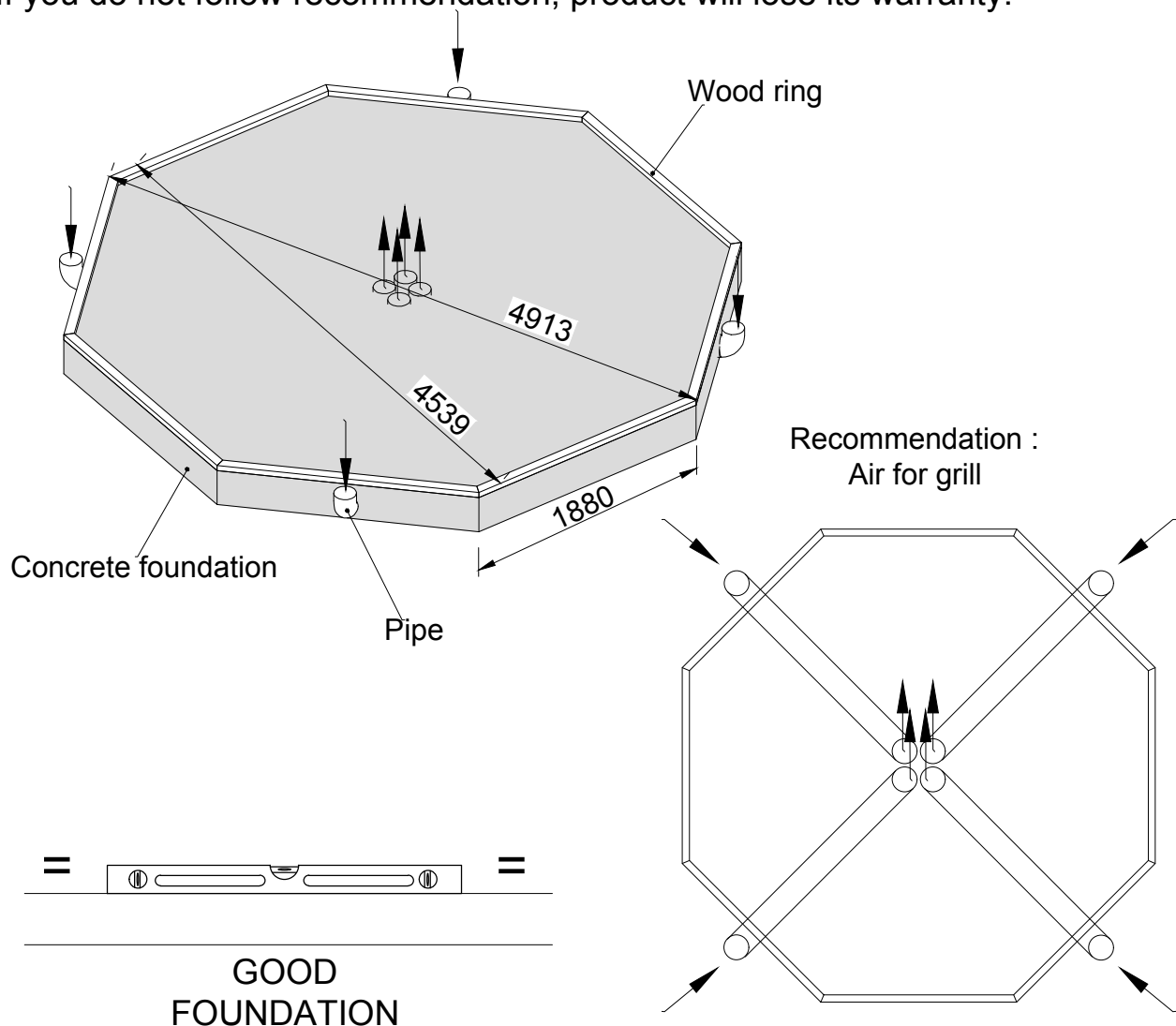
Therefore we recommend making the foundation according to the sketches here. First of all, foundation must be prepared according to the landscape and ground conditions.

The foundation under the product must be prepared specially, it must be homogeneous, tight and equal. It must be ensured that it will not change its properties. We recommend using concrete foundation. Before installation of product, we recommend to make hydro isolation of foundation.

Consult a local qualified builder or an engineer to prepare a proper foundation, which fits to your location.

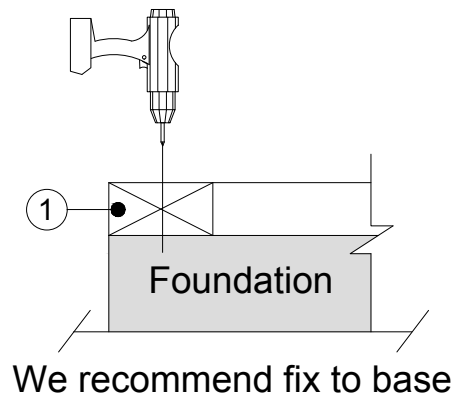
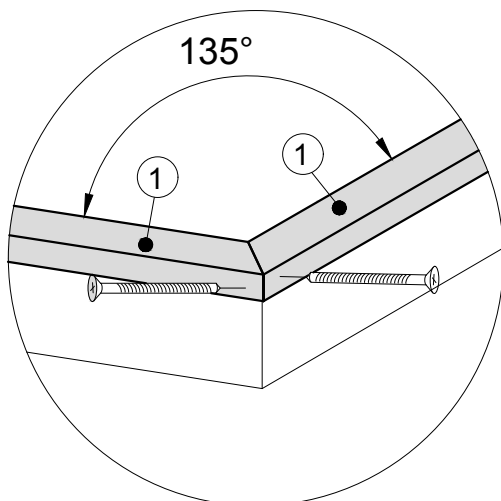
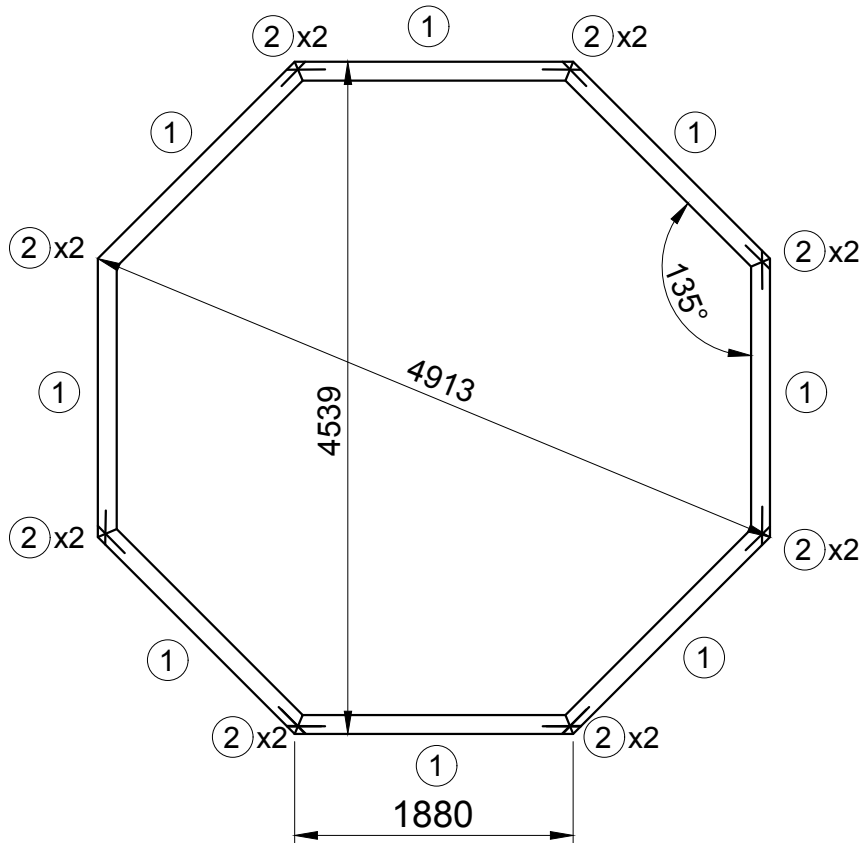
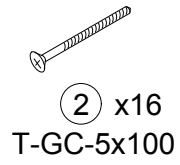
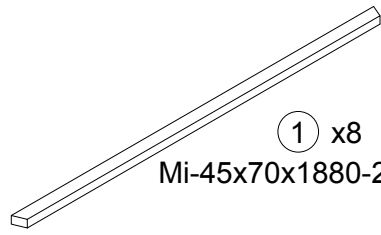
Due to improper foundation, cracks in the structures may occur. Due to uneven product seating, the geometric shape of the product may change, which can result in door / window twist, or/and gap may appear. And in the worst case product 's collapse.

If you do not follow recommendation, product will lose its warranty.



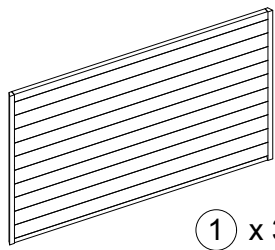
# 1. Grill / Camping / Sauna cabin 16.5

## Wood ring-foundation



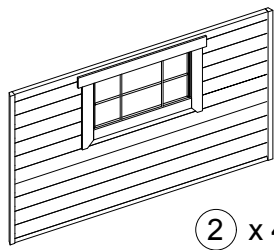
## 2. Grill / Camping / Sauna cabin 16.5

### WALLS CONNECTION



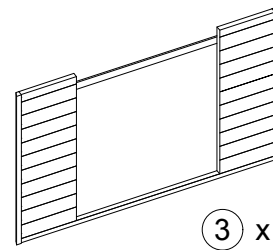
① x 3

GR16.5-S-1155x1880  
or  
GR16.5-S-1285x1880  
or  
GR16.5-S-1415x1880



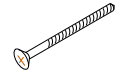
② x 4

GR16.5-SL-1155x1880  
or  
GR16.5-SL-1285x1880  
or  
GR16.5-SL-1415x1880



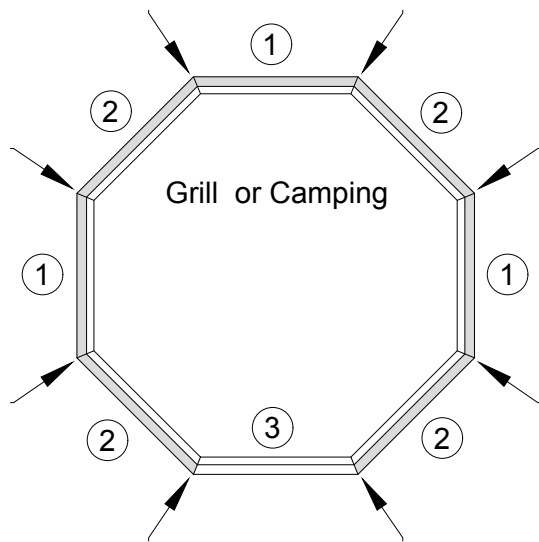
③ x 1

GR16.5-SD-1285x1880-A850 or ( A1070 )  
or  
GR16.5-SD-1415x1880-A850 or ( A1070 )

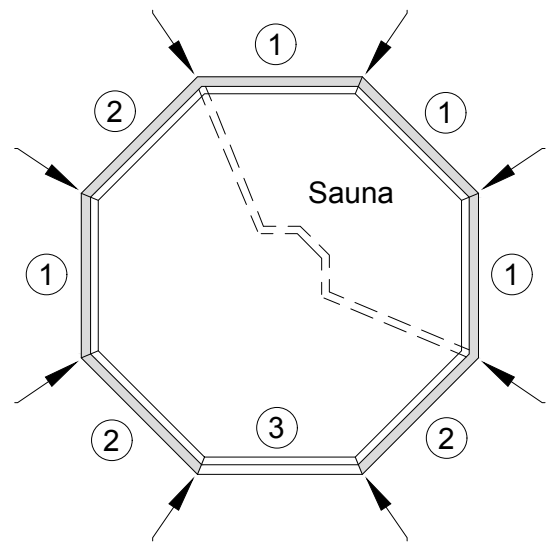


④ x64

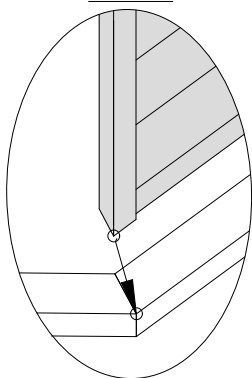
T-GC-5x100



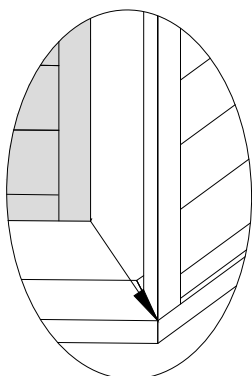
OR



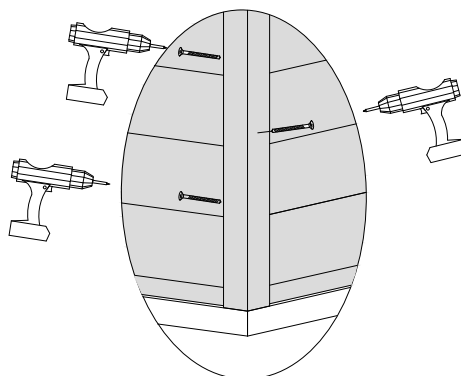
1 Step



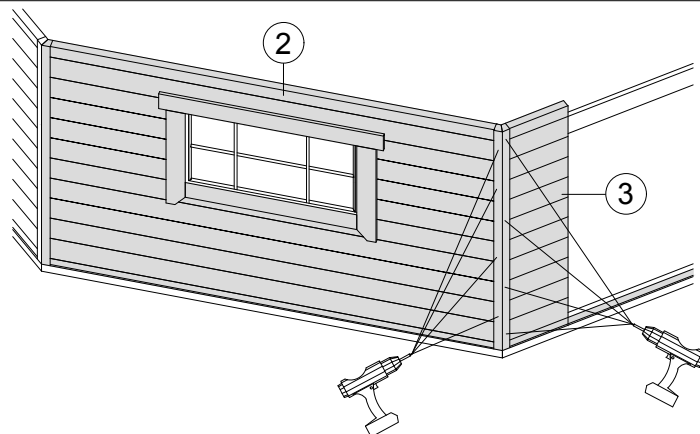
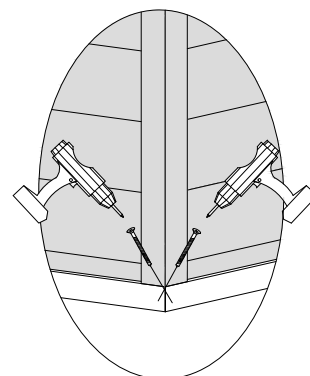
2 Step



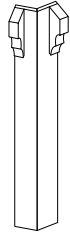
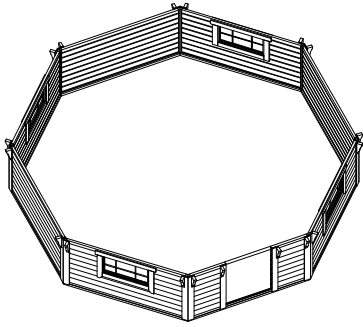
3 Step



4 Step



### 3. Grill / Camping / Sauna Cabin 16.5 DECORATION (SUPPORT) OUTSIDE



① x8

GR-8k-Apd-1155  
or  
GR-8k-Apd-1285  
or  
GR-8k-Apd-1415



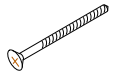
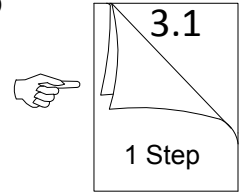
② x1

GR-Apd(k)-1155  
or  
GR-Apd(k)-1285  
or  
GR-Apd(k)-1415



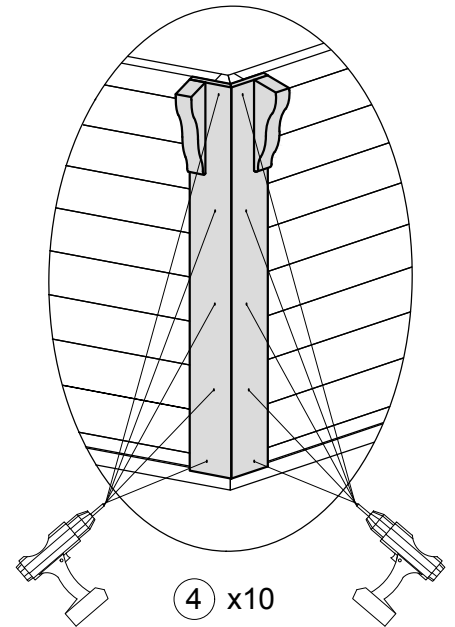
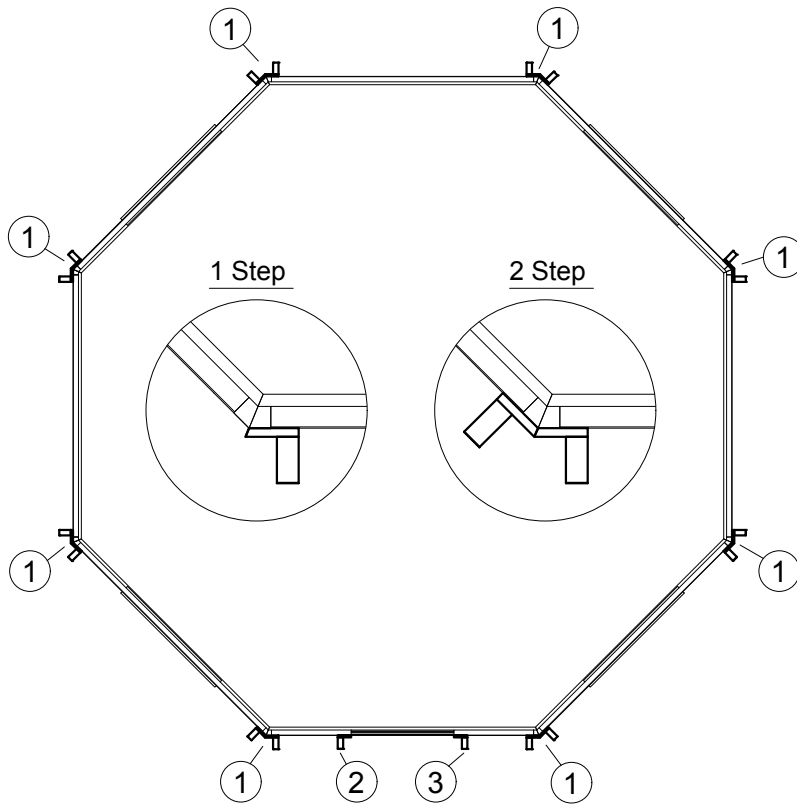
③ x1

GR-Apd(d)-1155  
or  
GR-Apd(d)-1285  
or  
GR-Apd(d)-1415

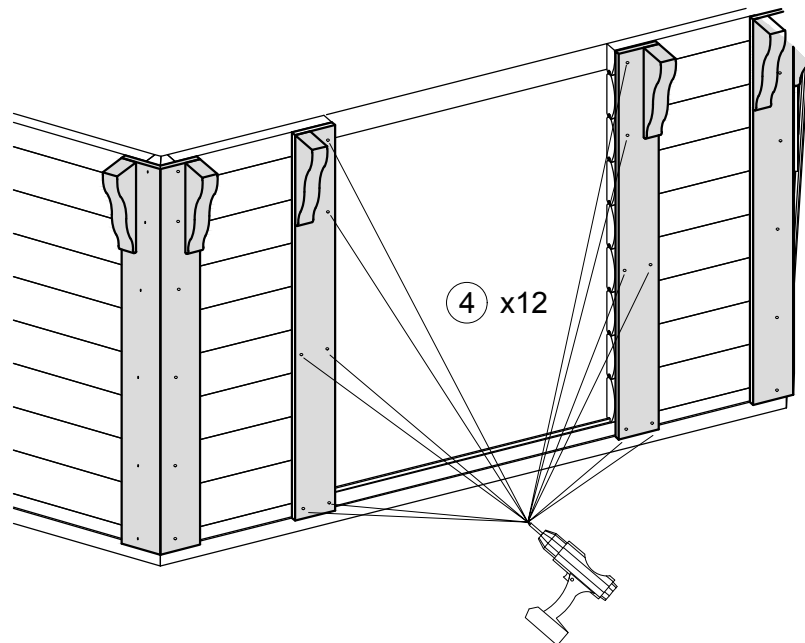


④ x92

T-BC-4x50

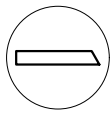


④ x10



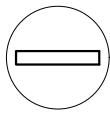
④ x12

### 3.1 Grill / Camping Cabin 16.5 DECORATION (SUPPORT) OUTSIDE



1 x16

M-18x95x1155-F  
or  
M-18x95x1285-F  
or  
M-18x95x1415-F



2 x2

M-18x95x1155  
or  
M-18x95x1285  
or  
M-18x95x1415



3 x18

M-45x95x270-CNC



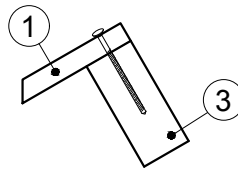
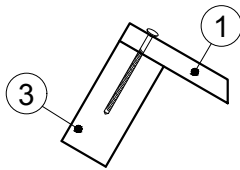
4 x18

T-BC-4x70

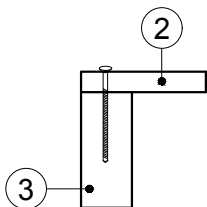
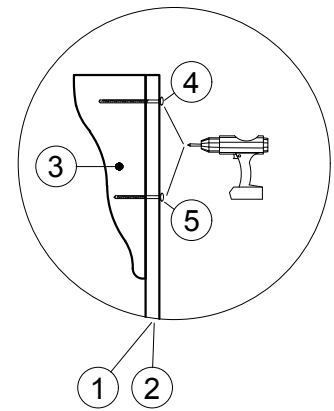


5 x18

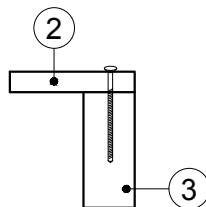
T-BC-4x50



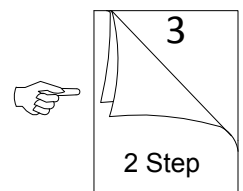
GR-8k-Apd-1155  
or  
GR-8k-Apd-1285  
or  
GR-8k-Apd-1415



GR-Apd(k)-1155  
or  
GR-Apd(k)-1285  
or  
GR-Apd(k)-1415

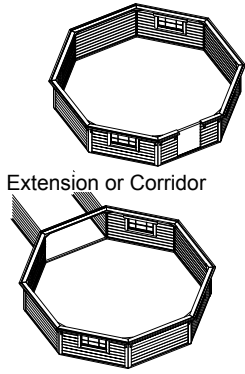


GR-Apd(d)-1155  
or  
GR-Apd(d)-1285  
or  
GR-Apd(d)-1415

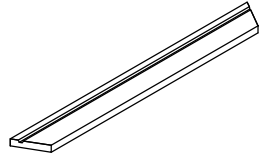


# 4. Grill / Camping / Sauna Cabin 16.5

## ROOF SUPPORT RING



Extension or Corridor



1 x7 or 8

M-45x195x2004-F



2 x1

M-45x195x577-F(k)

or

M-45x195x467-F(k)



3 x1

M-45x195x577-F(d)

or

M-45x195x467-F(d)



4 x8

M-45x70x338-F



5 x73

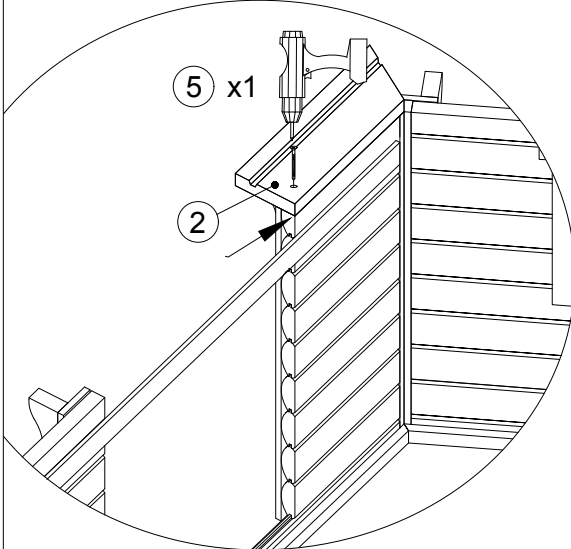
T-GC-5x100



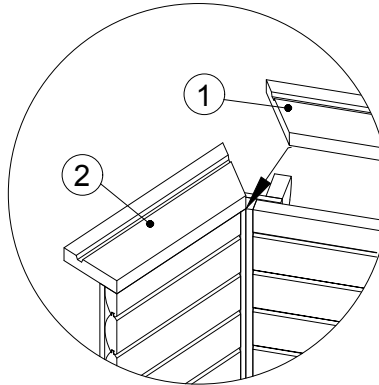
6 x16

T-GC-5x80

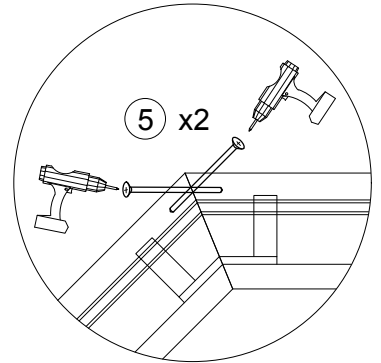
1 Step



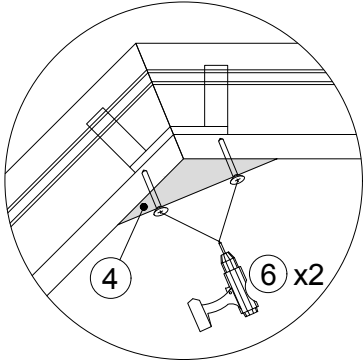
2 Step



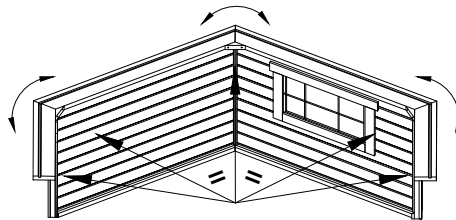
3 Step



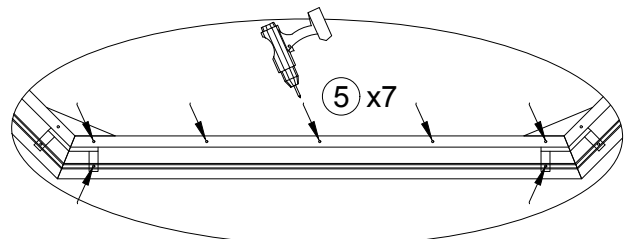
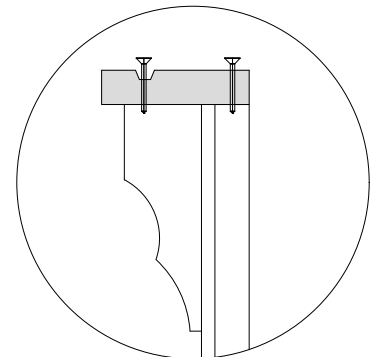
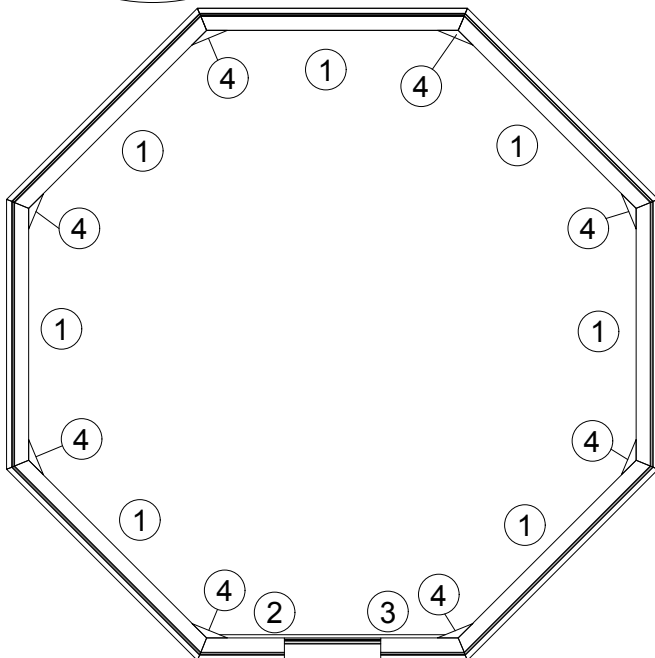
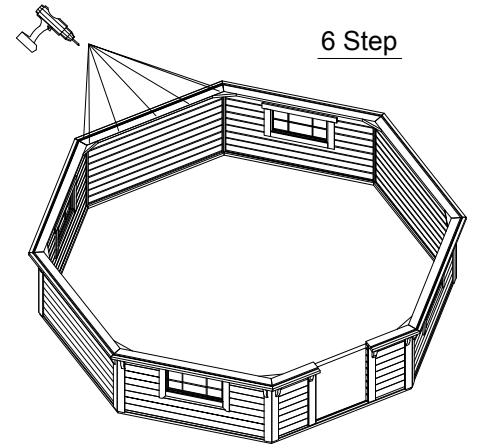
4 Step



5 Step

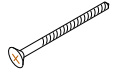
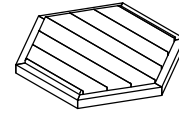
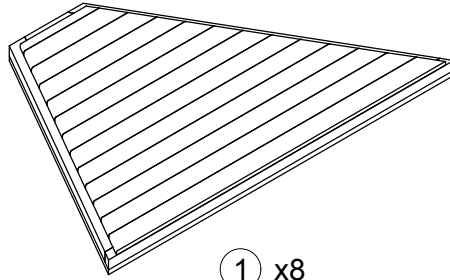
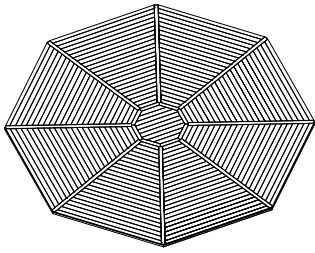


6 Step



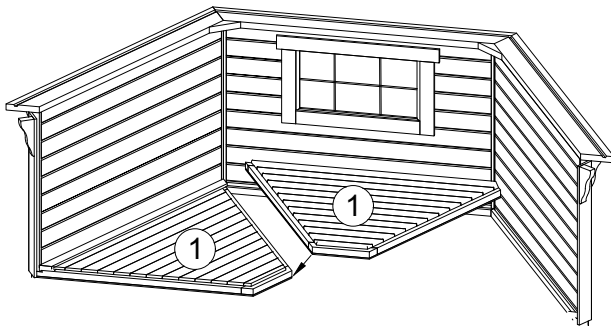


# 5. Grill / Camping / Sauna Cabin 16.5 FLOORS

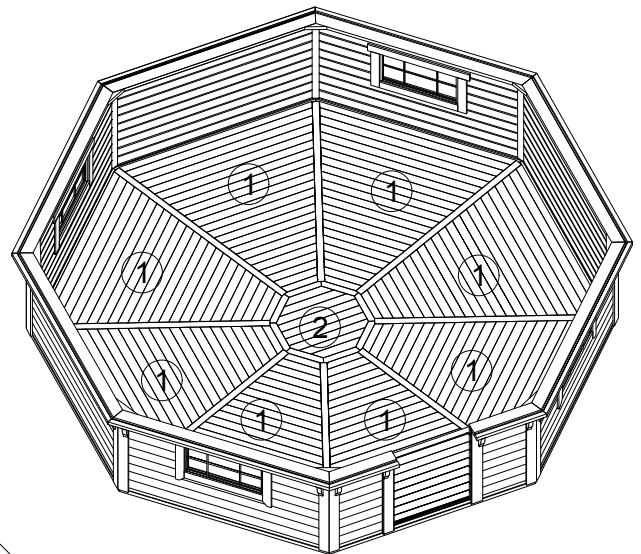


- |                          |                        |             |
|--------------------------|------------------------|-------------|
| ① x8                     | ② x1                   | ③ x56       |
| GR16.5-Grind-1731x1818   | GR-8k-Grind-927x1003   | T-GC-3.5x45 |
| or                       | or                     |             |
| GR16.5-I-Grind-1731x1818 | GR-8k-I-Grind-927x1003 |             |
| or                       | or                     |             |
| GR16.5-Spunt-1731x1818   | GR-8k-Spunt-927x1003   |             |
| or                       | or                     |             |
| GR16.5-I-Spunt-1731x1818 | GR-8k-I-Spunt-927x1003 |             |

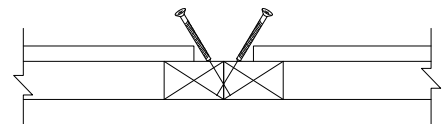
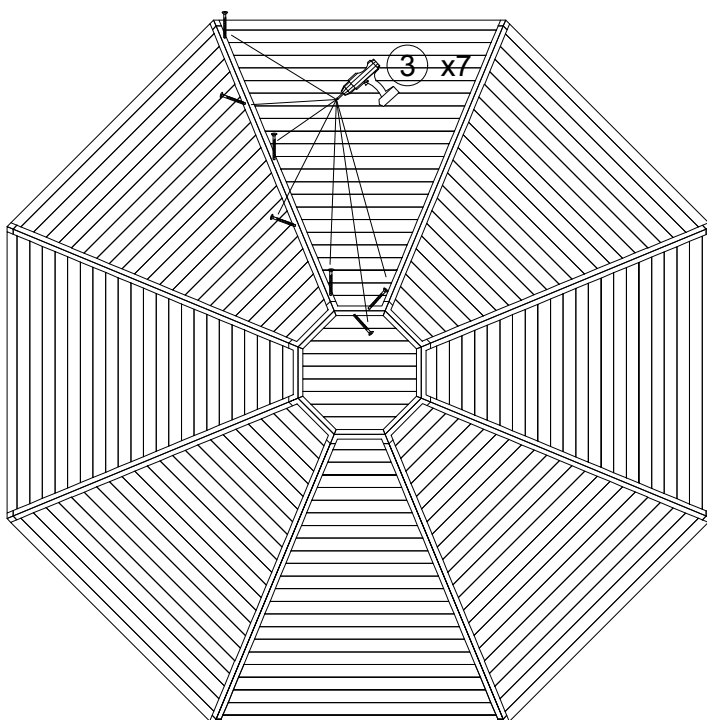
1 Step



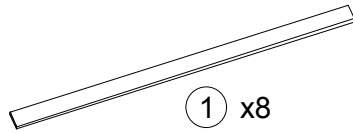
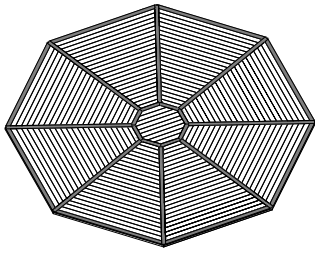
2 Step



3 Step



## 6. Grill / Camping / Sauna Cabin 16.5 FLOORS FINISHING BOARDS



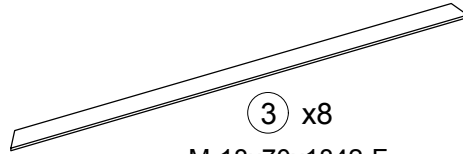
① x8

M-18x70x1834  
or  
Spunt-28x70x1834



② x8

M-18x70x412-F  
or  
Spunt-28x70x412-F



③ x8

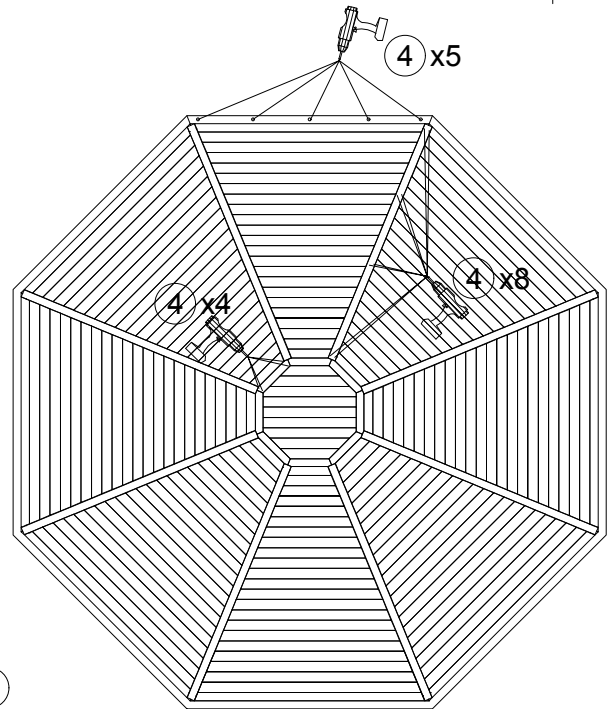
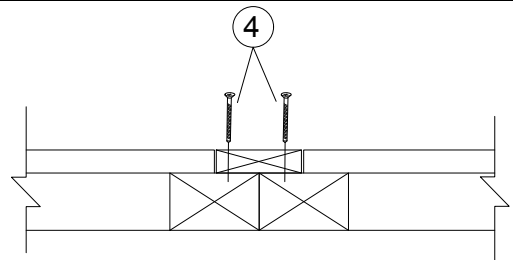
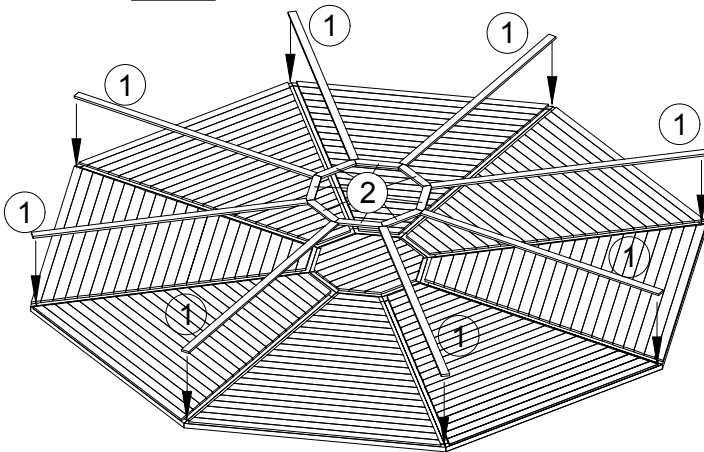
M-18x70x1842-F



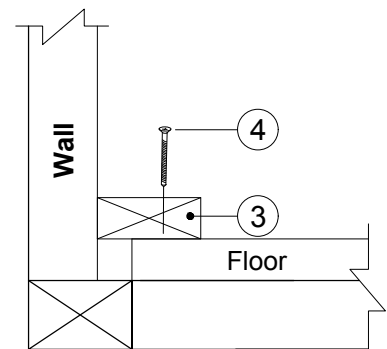
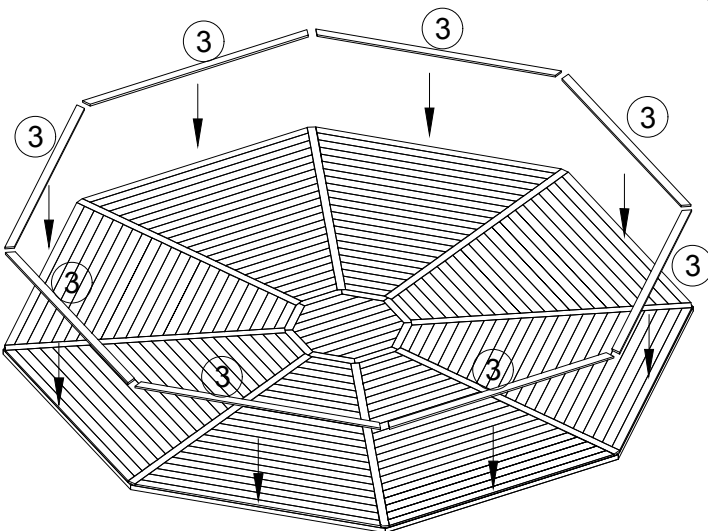
④ x136

T-GC-3.5x45

1 Step

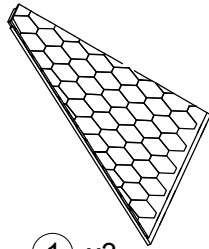


2 Step



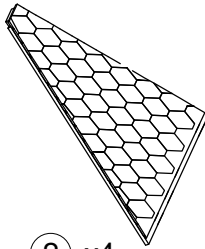
# 7. Sauna Cabin 16.5 with changing room

## ROOF



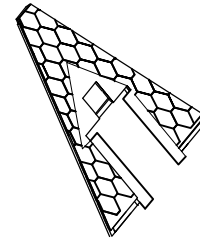
① x3

GR16.5-I-Stog-1983x3000



② x4

GR16.5-Stog-1983x3000

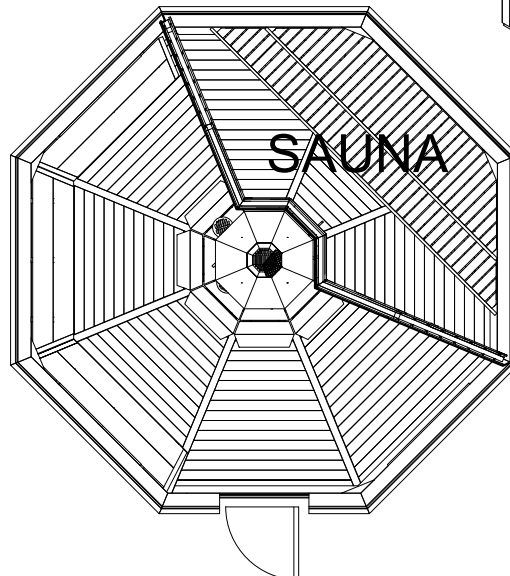
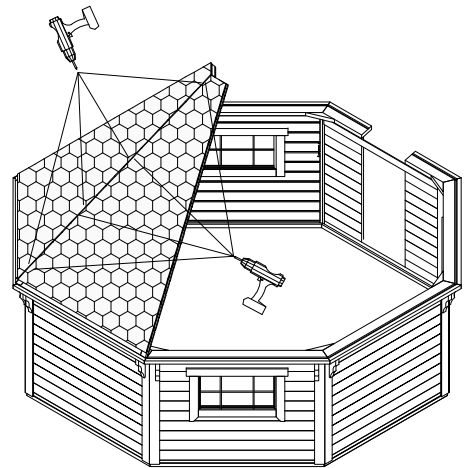
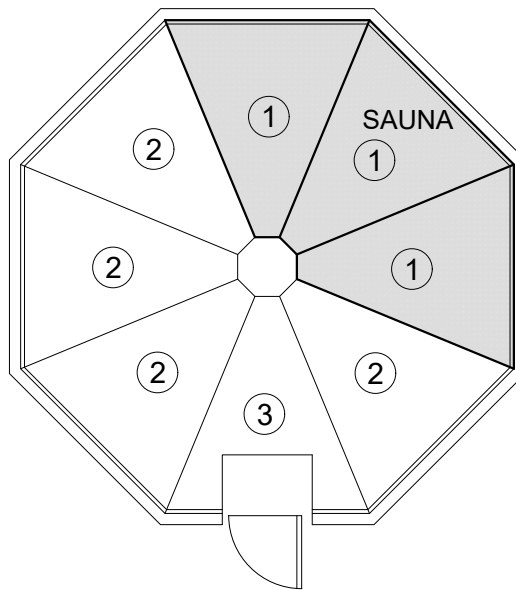
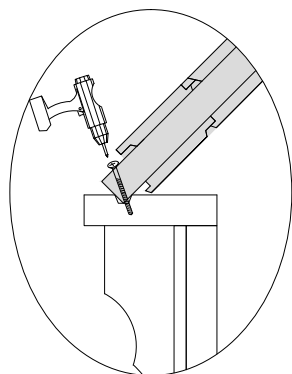
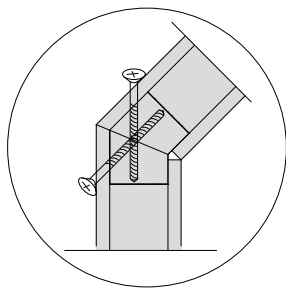
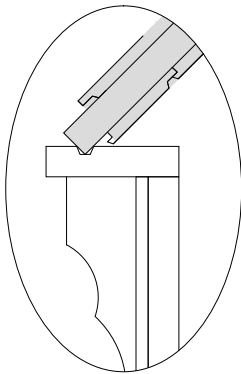


③ x1

GR16.5-StogD-1983x3000-A850 or A1070

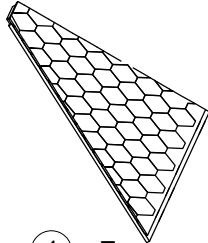
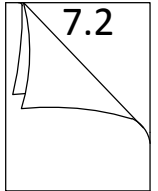
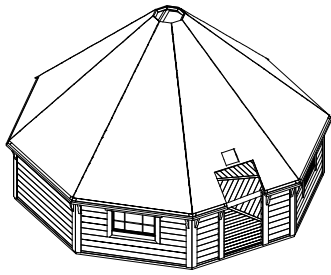


⑤ x104  
T-GC-5x80



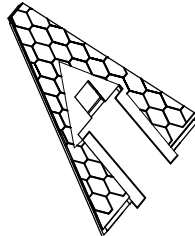
# 7.1 Grill / Camping / Sauna Cabin 16.5

## ROOF



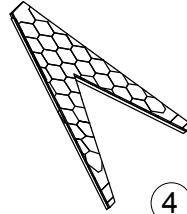
① x7

GR16.5-Stog-1983x3000  
or  
GR16.5-I-Stog-1983x3000



② x1

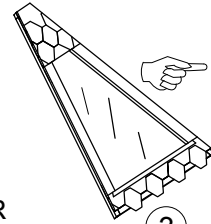
GR16.5-StogD-1983x3000-A850 or A1070  
or  
GR16.5-I-StogD-1983x3000-A850 or 1070



④

GR16.5-StogEX-1983x3000  
or  
GR16.5-I-StogEX-1983x3000

OR



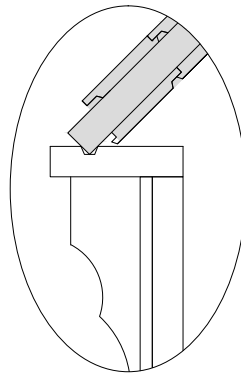
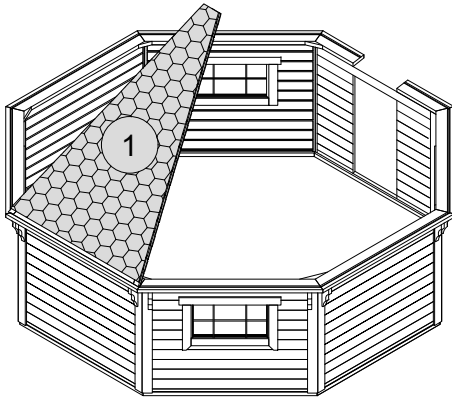
③

GR16.5-StogL-1983x3000  
or  
GR16.5-I-StogL-1983x3000

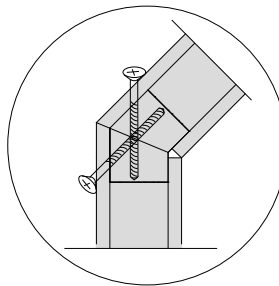
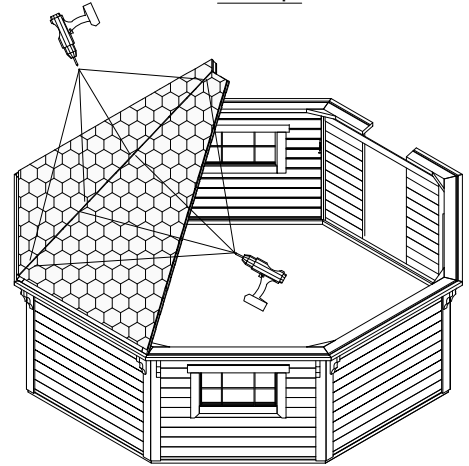


⑤ x104  
T-GC-5x80

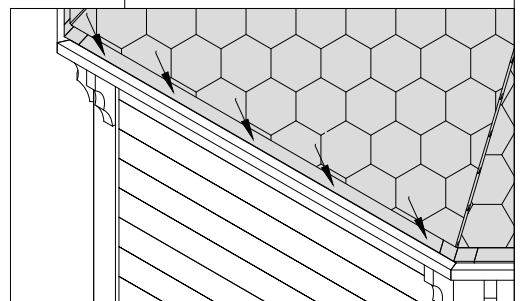
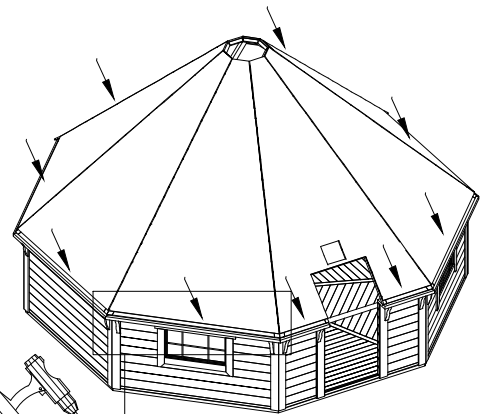
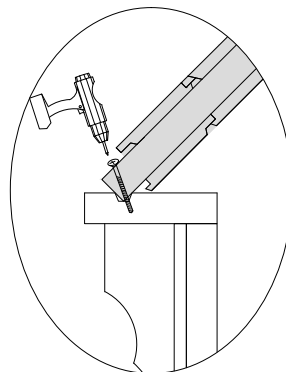
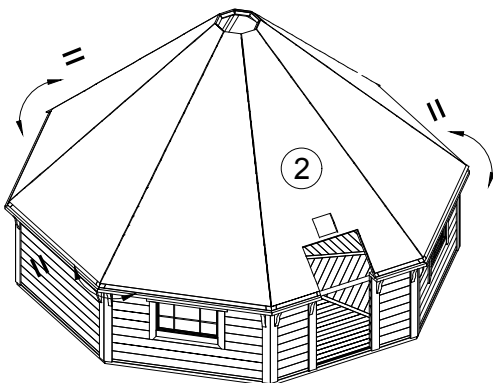
### 1 Step



### 2 Step

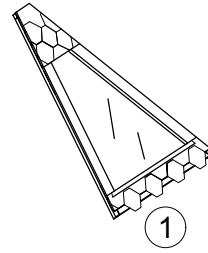
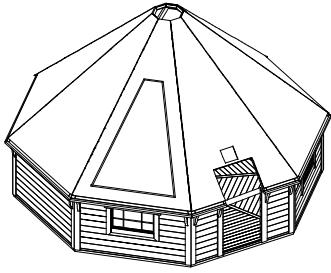


### 3 Step

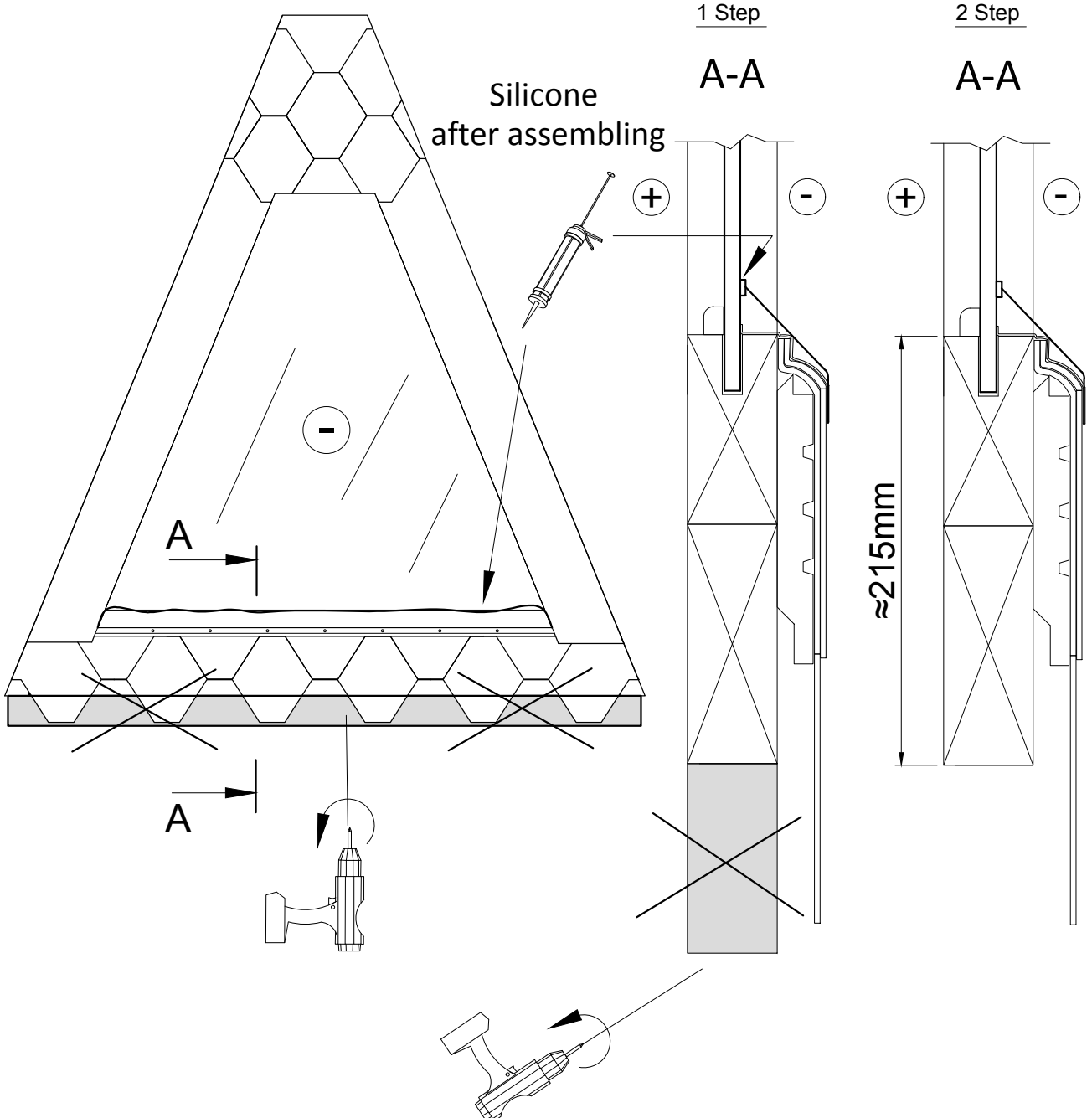


# 7.2 Grill / Camping / Sauna Cabin 16.5

## ROOF

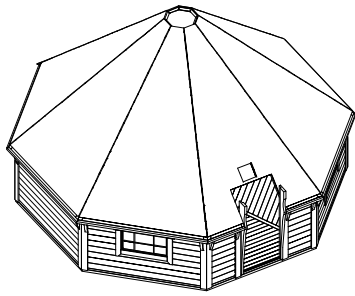


GR16.5-StogL-1983x3000  
or  
GR16.5-I-StogL-1983x3000



# 8. Grill / Camping / Sauna Cabin 16.5

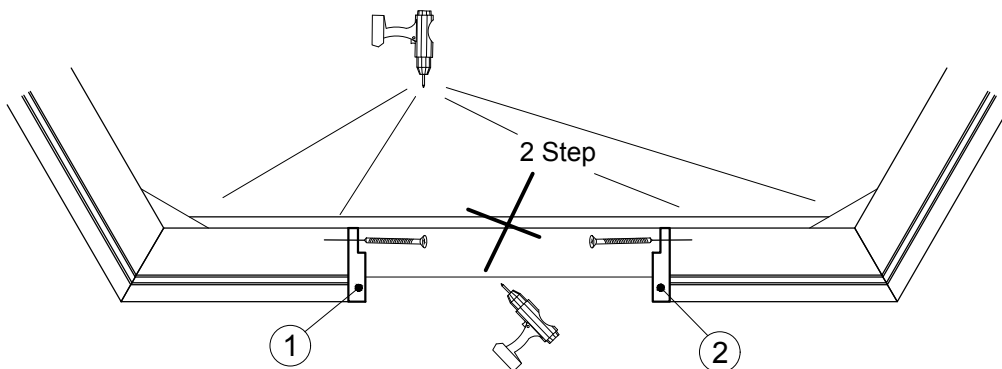
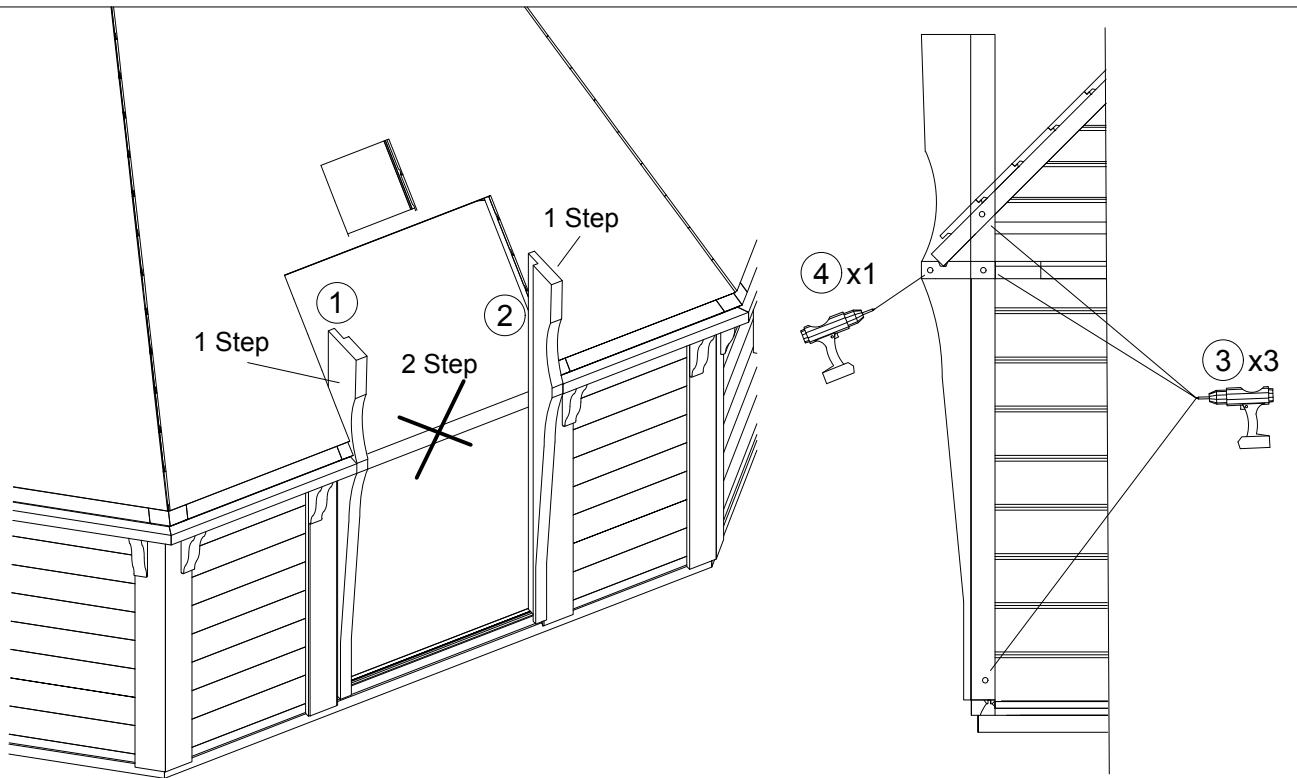
## ENTRANCE SUPPORT



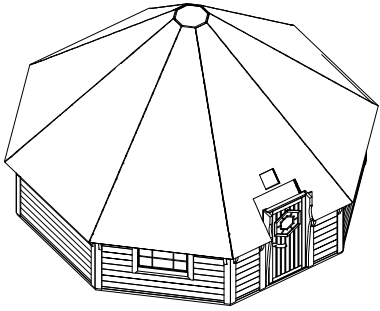
M-45x195x1630-CNC(k)  
or  
M-45x195x1760-CNC(k)  
or  
M-45x195x1890-CNC(k)



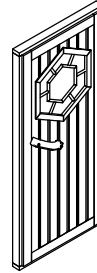
M-45x195x1630-CNC(k)  
or  
M-45x195x1760-CNC(d)  
or  
M-45x195x1890-CNC(d)



# 9. Grill / Camping / Sauna Cabin 16.5 OUTSIDE DOOR



① x1  
PUS00013 (782x1630)  
or  
PUS00060 (782x1760)  
or  
PUS00317 (782x1890)



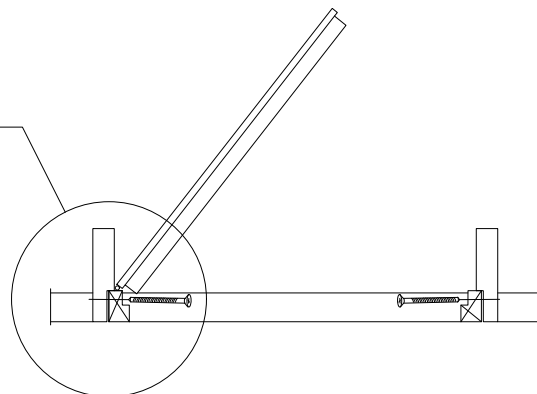
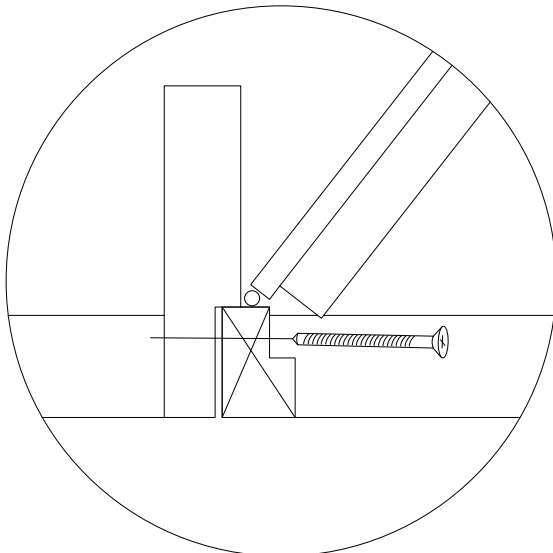
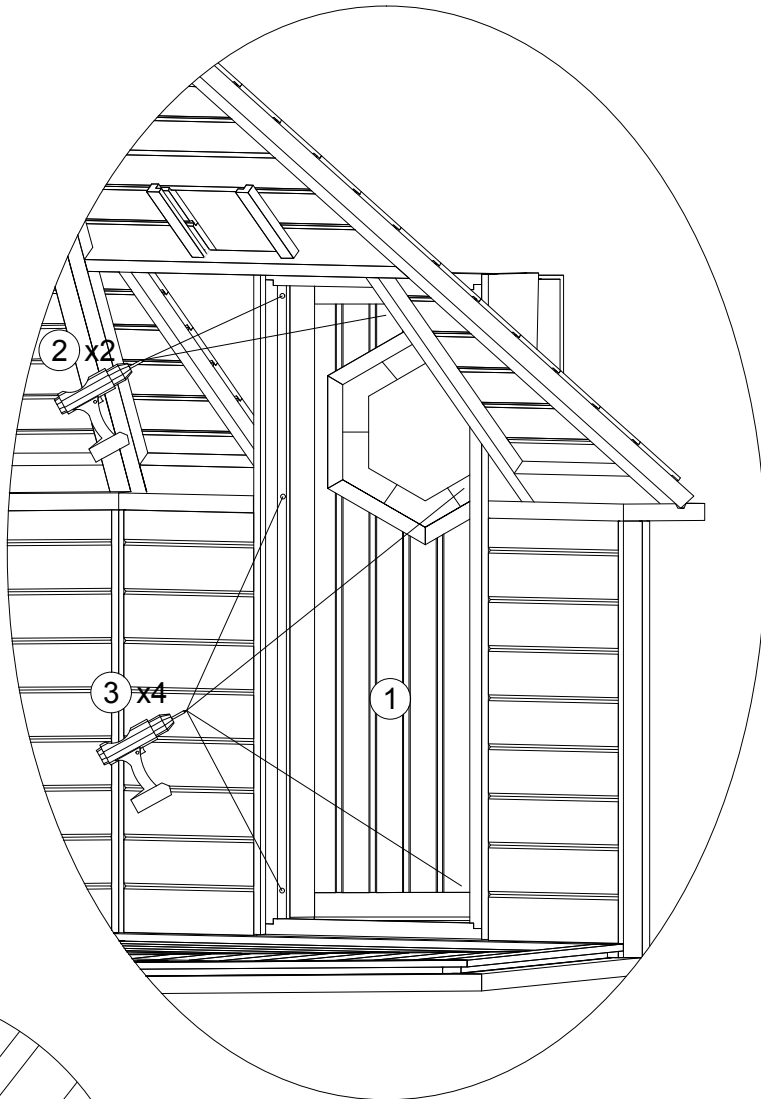
PUS00321 (1000x1630)  
or  
PUS00322 (1000x1760)



② x2  
T-BC-4x50



③ x4  
T-GC-5x100



# 9.1 Grill / Camping / Sauna Cabin 16.5

## INSIDE FINISHING BOARD

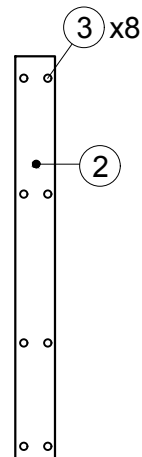
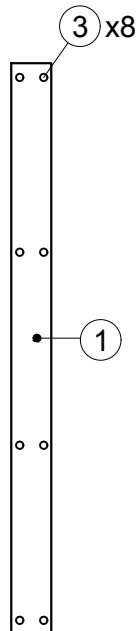
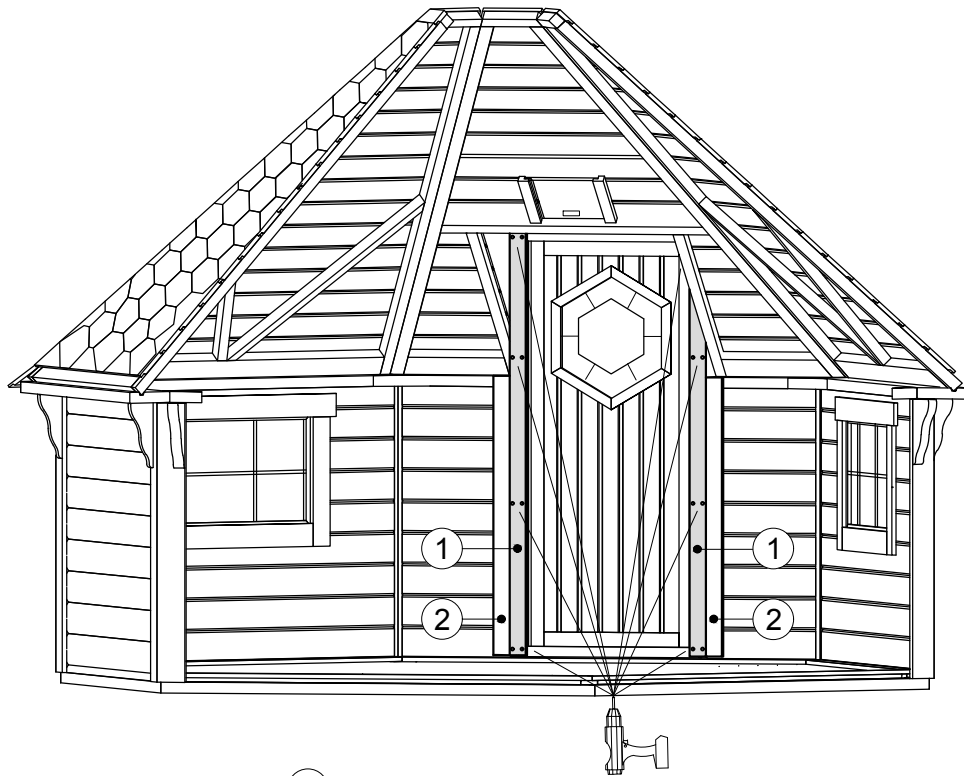
① x2  
M-18x70x1624  
or  
M-18x70x1754  
or  
M-18x70x1884



② x2  
M-18x70x1150  
or  
M-18x70x1280  
or  
M-18x70x1410



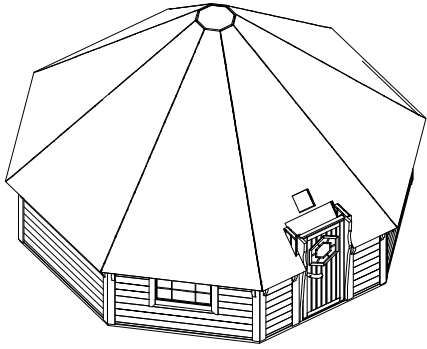
③ x32  
T-GC-3.5x45



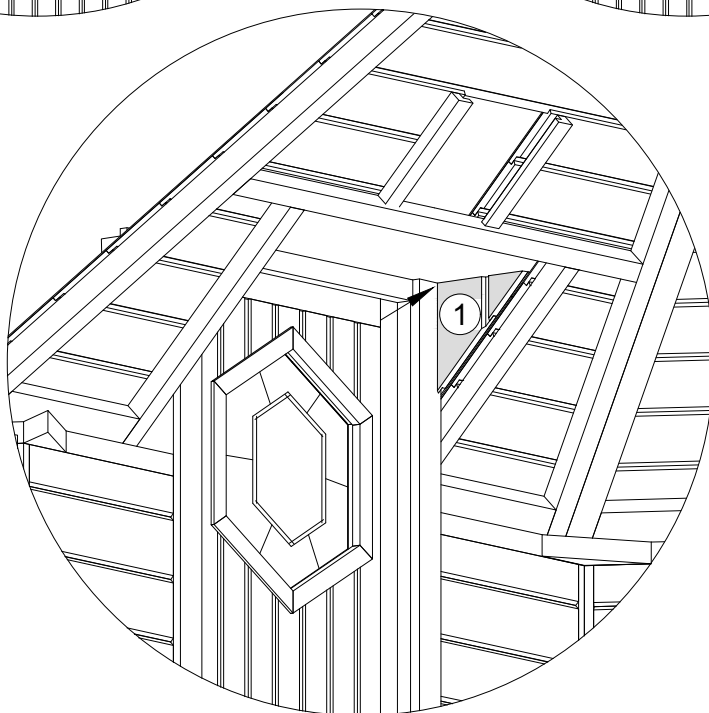
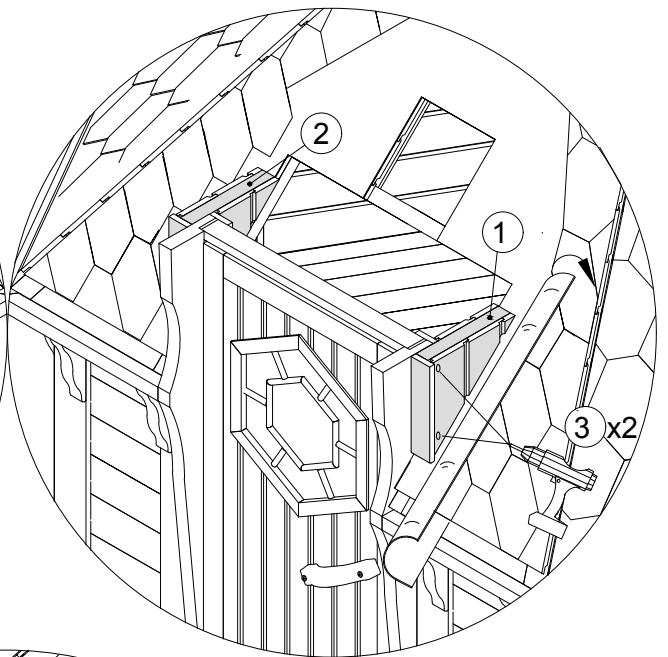
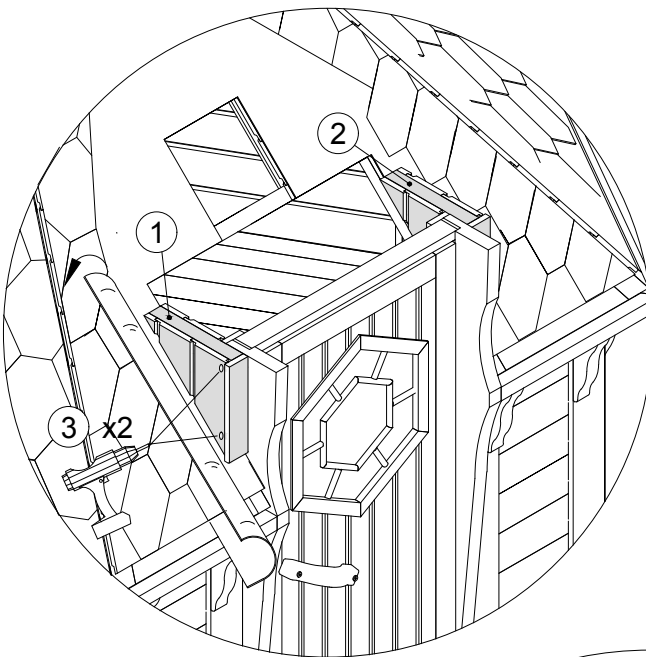


# 10. Grill / Camping Cabin 16.5

## ENTRANCE ASSEMBLY

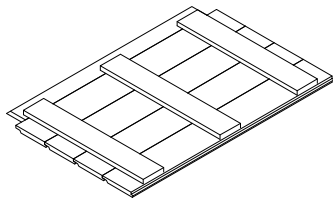


- ① x1  
GR-trikamp-313x331-(k)
- ① x1  
M-45X136X271-F
- OR
- ② x1  
GR-trikamp-313x331-(d)
- ② x1  
M-45X136X271-F
- ③ x4  
T-GC-5x80



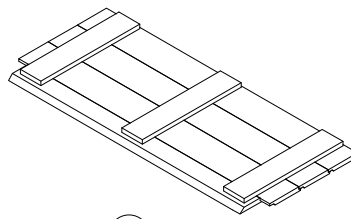
# 10.1 Grill / Camping / Sauna Cabin 16.5

## ENTRANCE ASSEMBLY



① x1  
GR-lubos-636x939

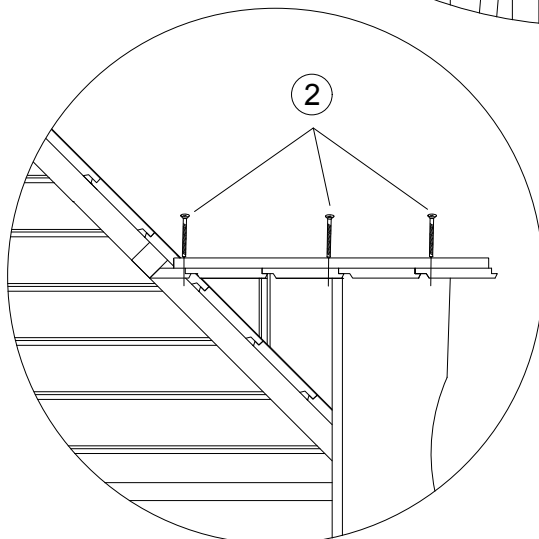
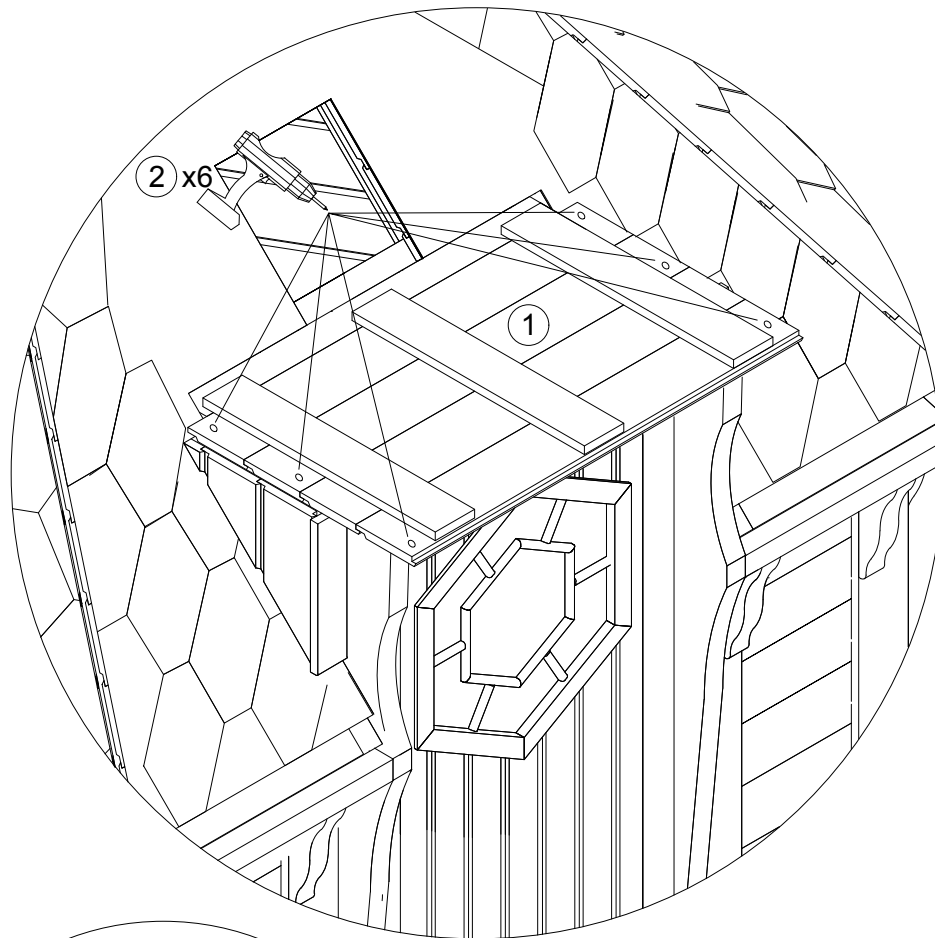
OR



① x1  
GR-lubos-507x1159

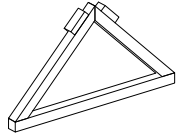


② x6  
T-GC-4x70

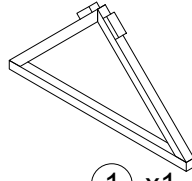


# 10.2 Grill / Camping / Sauna Cabin 16.5

## ENTRANCE ASSEMBLY

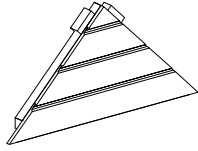


① x1  
GR-Stog-trik-453x815

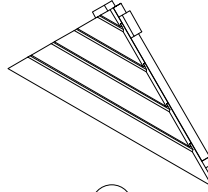


① x1  
GR-Stog-trik-563x1035

OR



② x1  
GR-Pr-trik-491x981



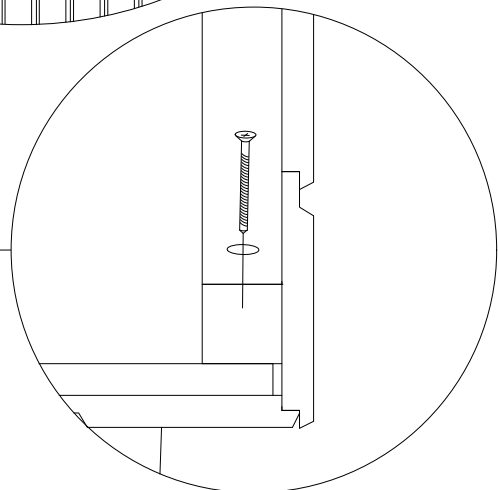
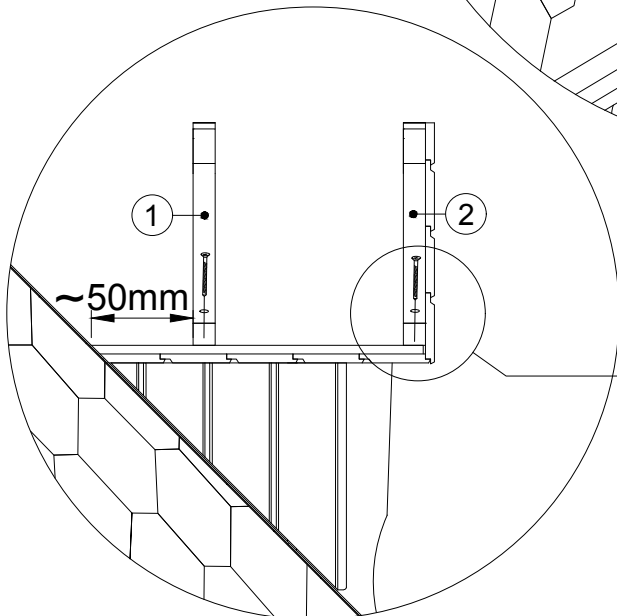
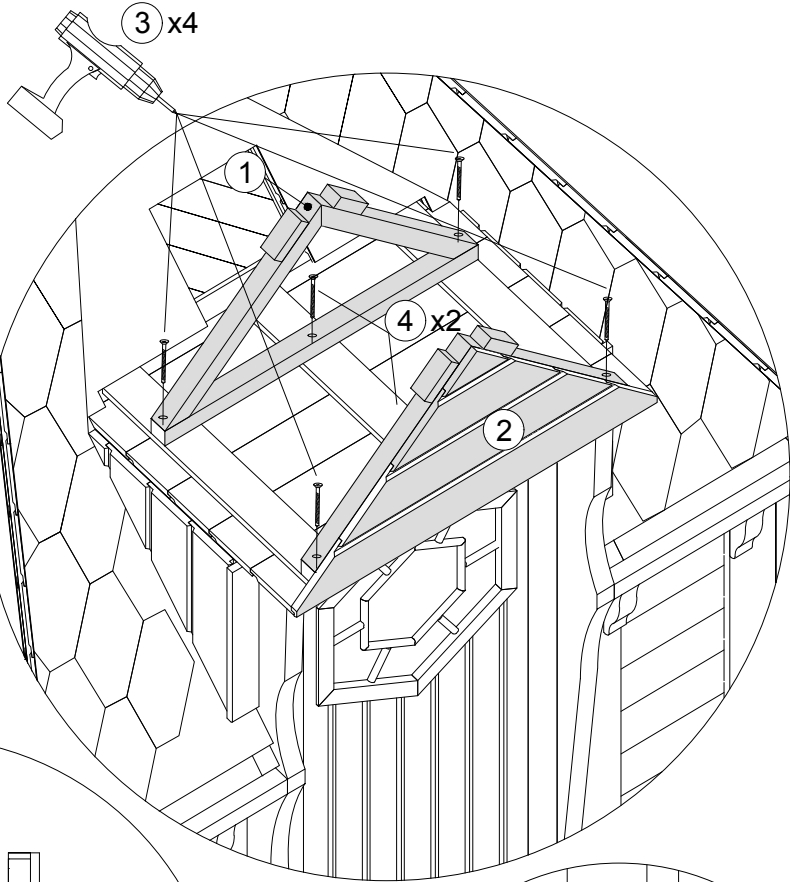
② x1  
GR-Pr-trik-601x1202



③ x4  
T-GC-5x100

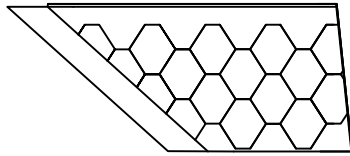


④ x2  
T-GC-4x70



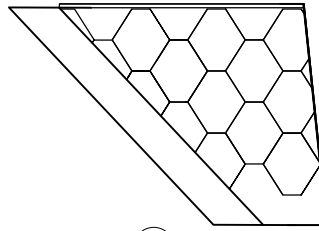
# 10.3 Grill / Camping / Sauna Cabin 16.5

## ENTRANCE ASSEMBLY



① x1

GR-Stog-845x1090-(k)



① x1

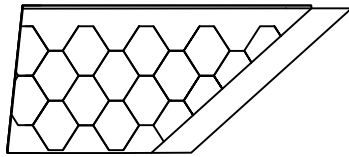
GR-Stog-1001x1070-(k)

OR



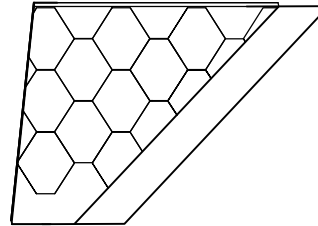
③ x8

T-GC-5x100



② x1

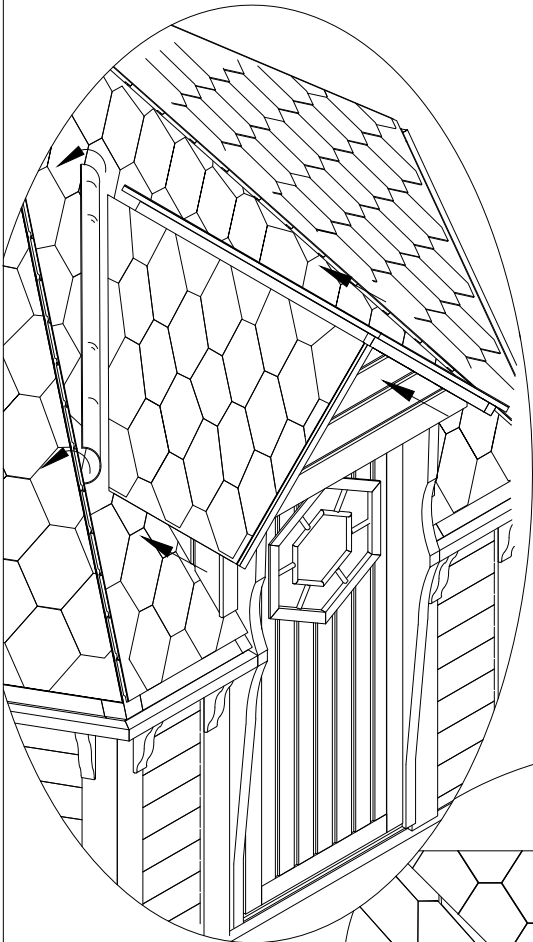
GR-Stog-845x1090-(d)



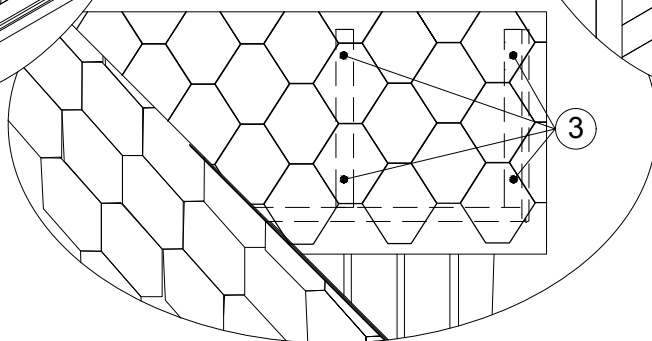
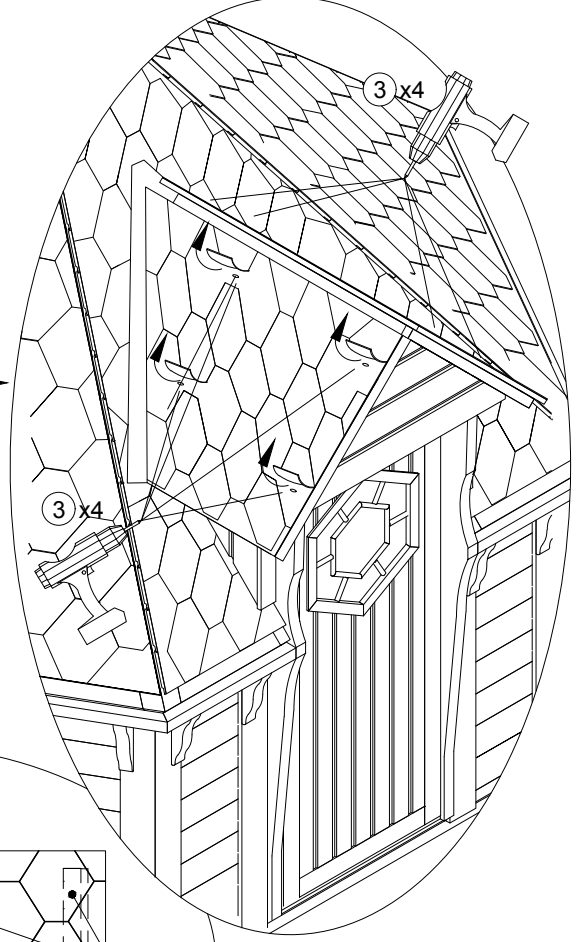
② x1

GR-Stog-1001x1070-(d)

1 Step

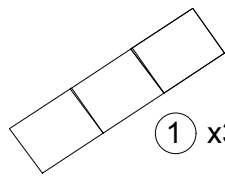


2 Step



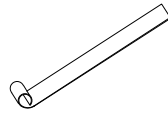
# 10.4 Grill / Camping / Sauna Cabin 16.5

## ENTRANCE ASSEMBLY



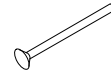
① x3

Bitumines-  
cerpes-3x250x1000



② x2

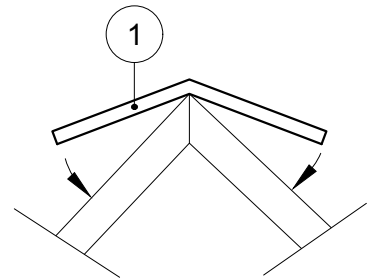
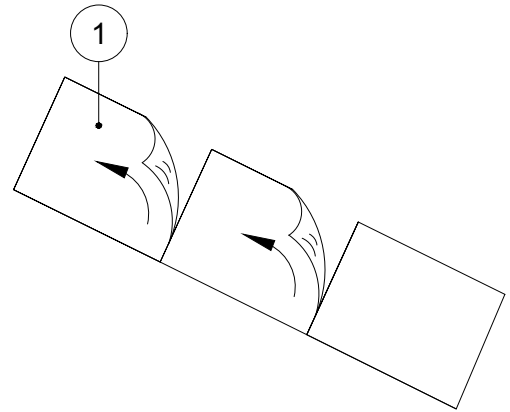
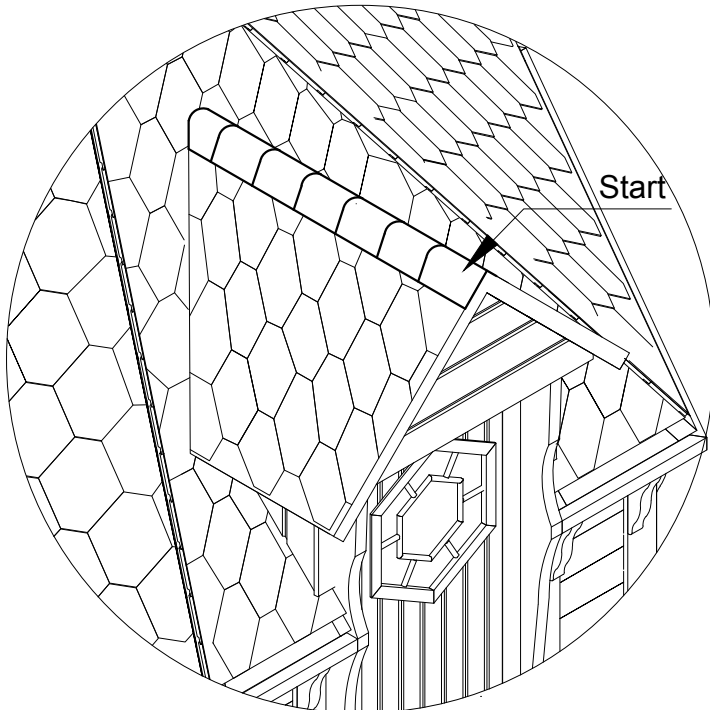
Bitumine-  
juosta-3x70x1360



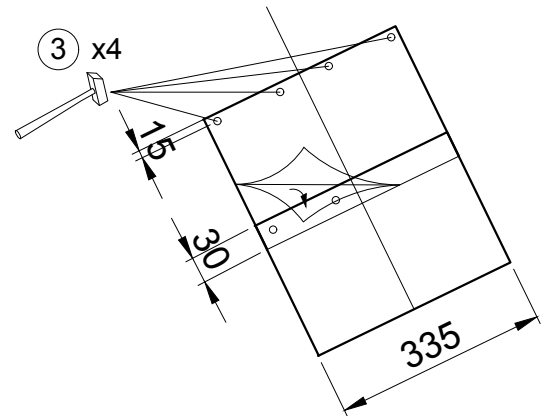
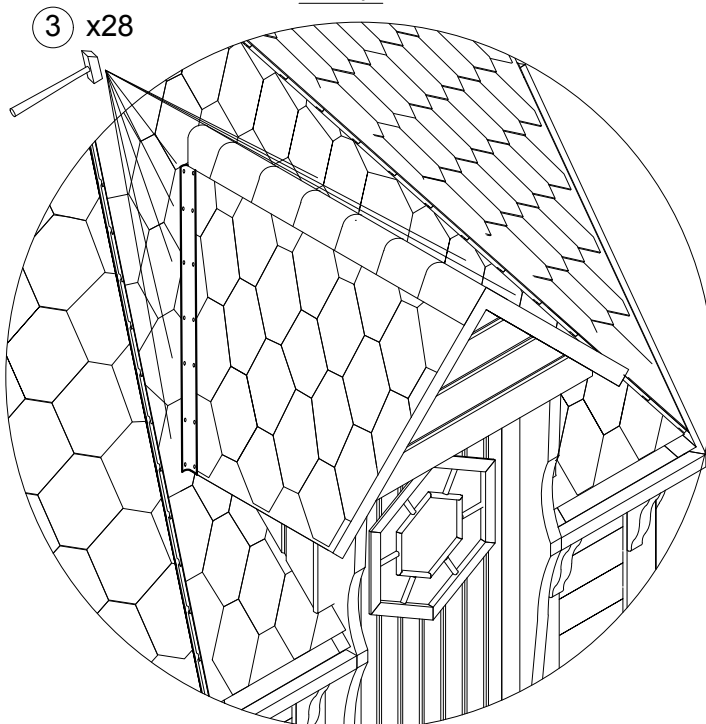
③ x 64

T-V-2x20

### 1 Step

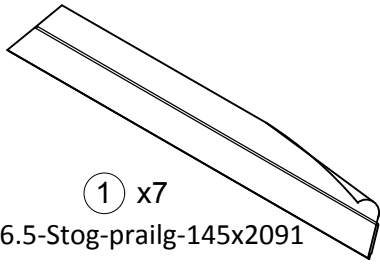


### 2 Step

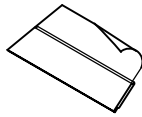


# 11. Grill / Camping / Sauna Cabin 16.5

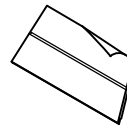
## ROOF FINISHING



① x7  
GR16.5-Stog-prailg-145x2091



② x1  
GR16.5-Stog-prailg-145x591-(k)-A850  
or  
GR16.5-Stog-prailg-145x481-(k)-A1070

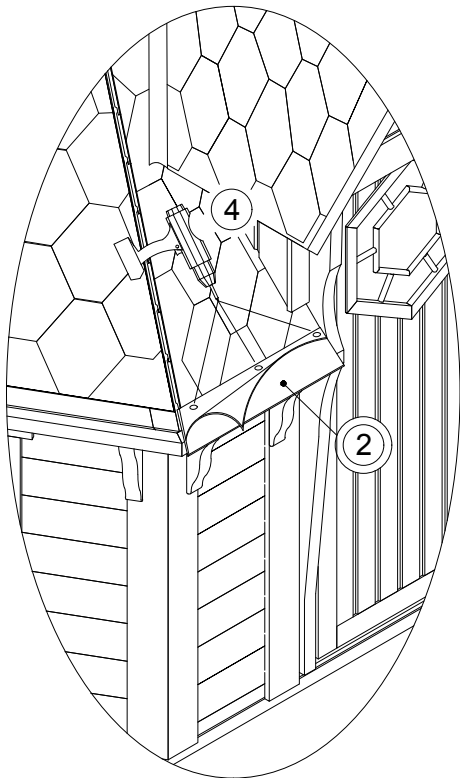


③ x1  
GR16.5-Stog-prailg-145x591-(d)- A850  
or  
GR16.5-Stog-prailg-145x481-(d)- A1070

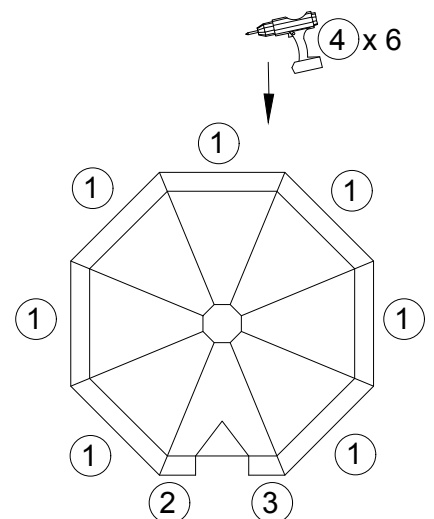
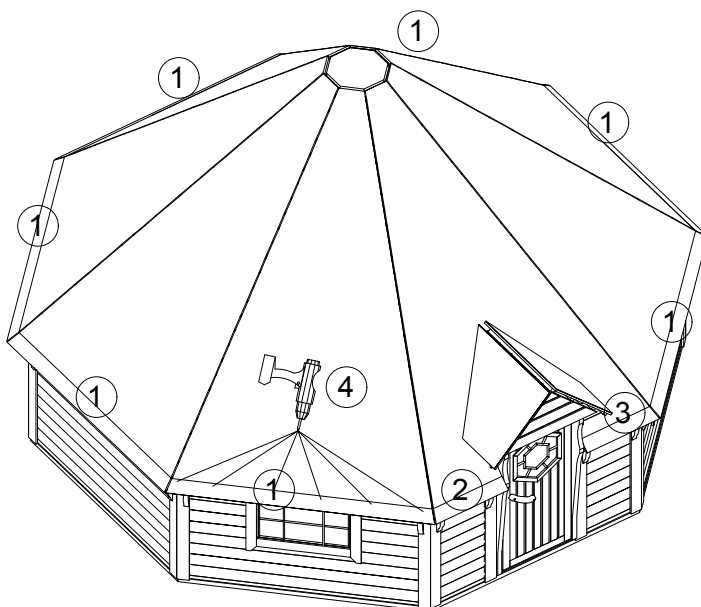
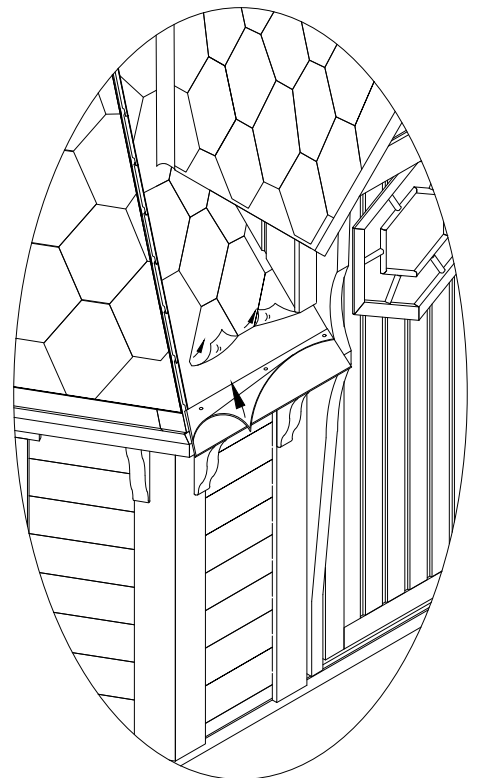
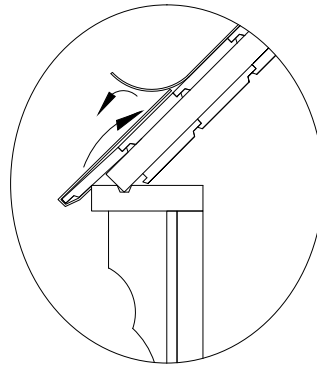
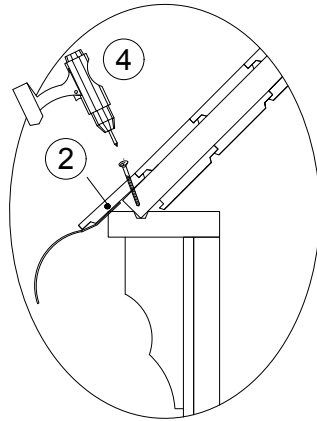


④ x48  
T-GC-4x50

### 1 Step

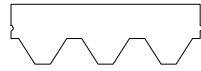


### 2 Step



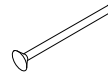
# 11.1 Grill / Camping / Sauna Cabin 16.5

## ROOF FINISHING



① x24

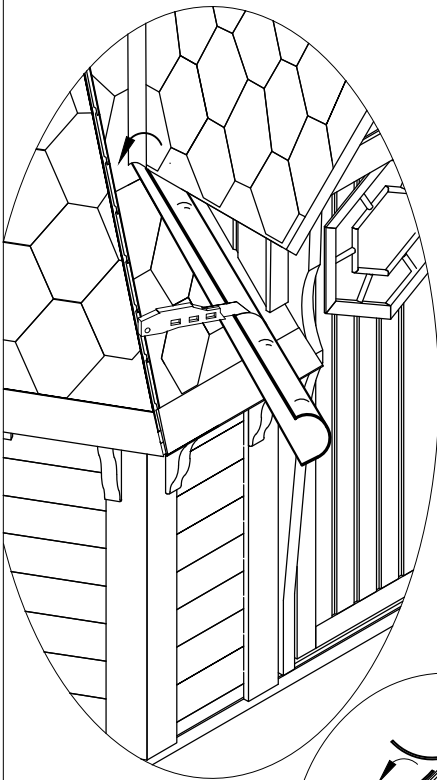
Bitumines-cerpes-3x317x1000



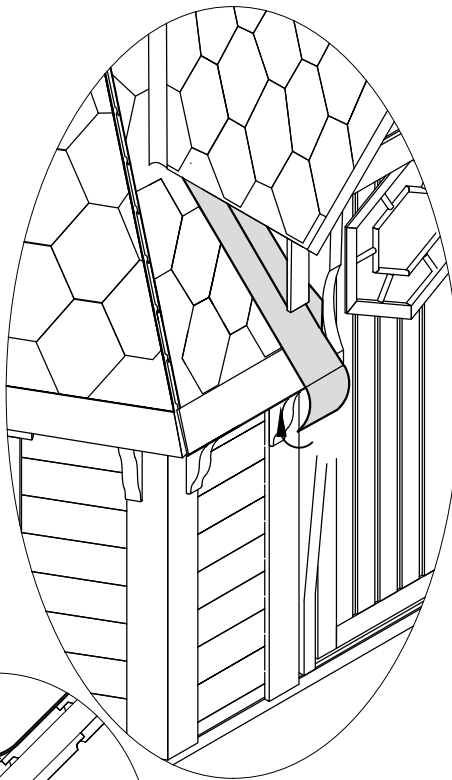
② x 150

T-V-2x20

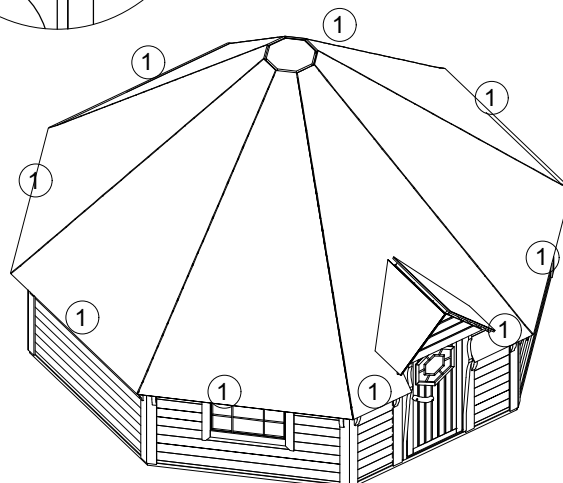
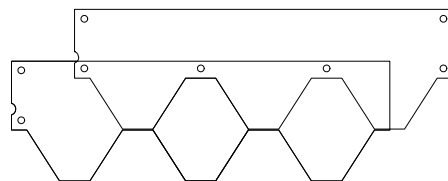
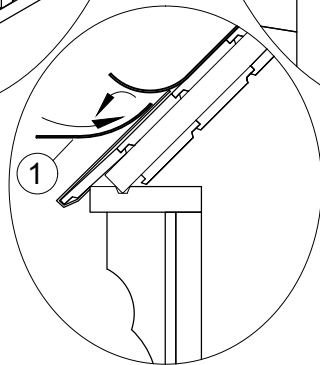
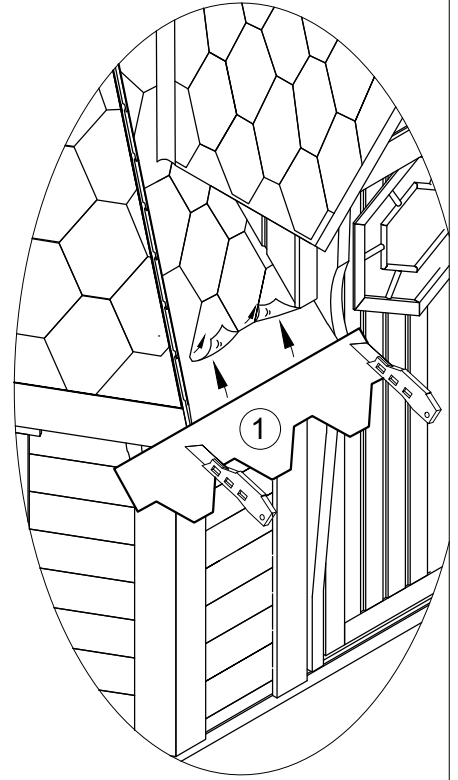
1 Step



2 Step

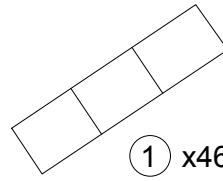
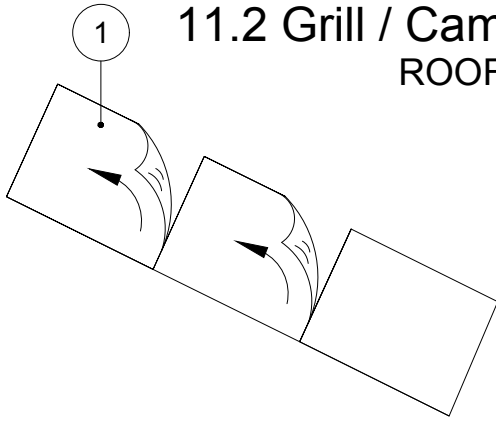


3 Step

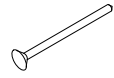


# 11.2 Grill / Camping / Sauna Cabin 16.5

## ROOF FINISHING

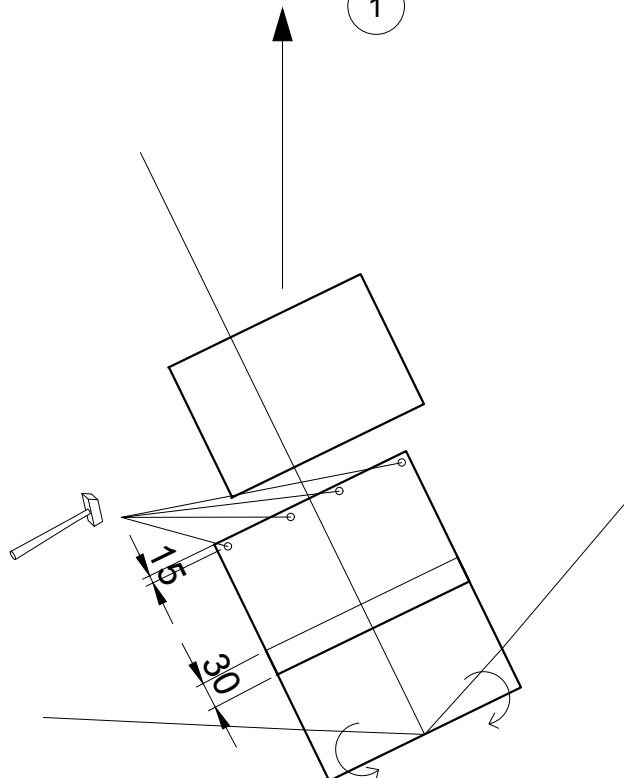
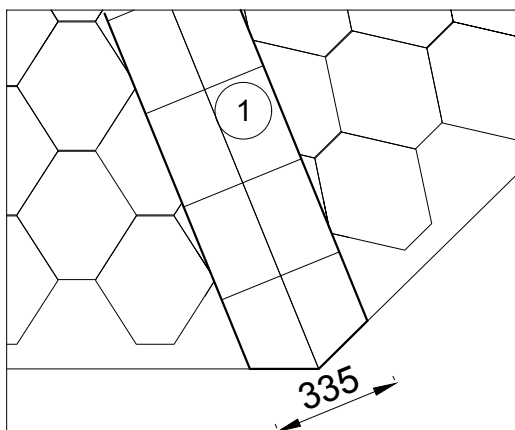
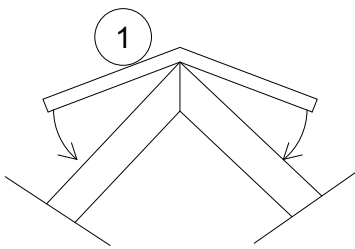
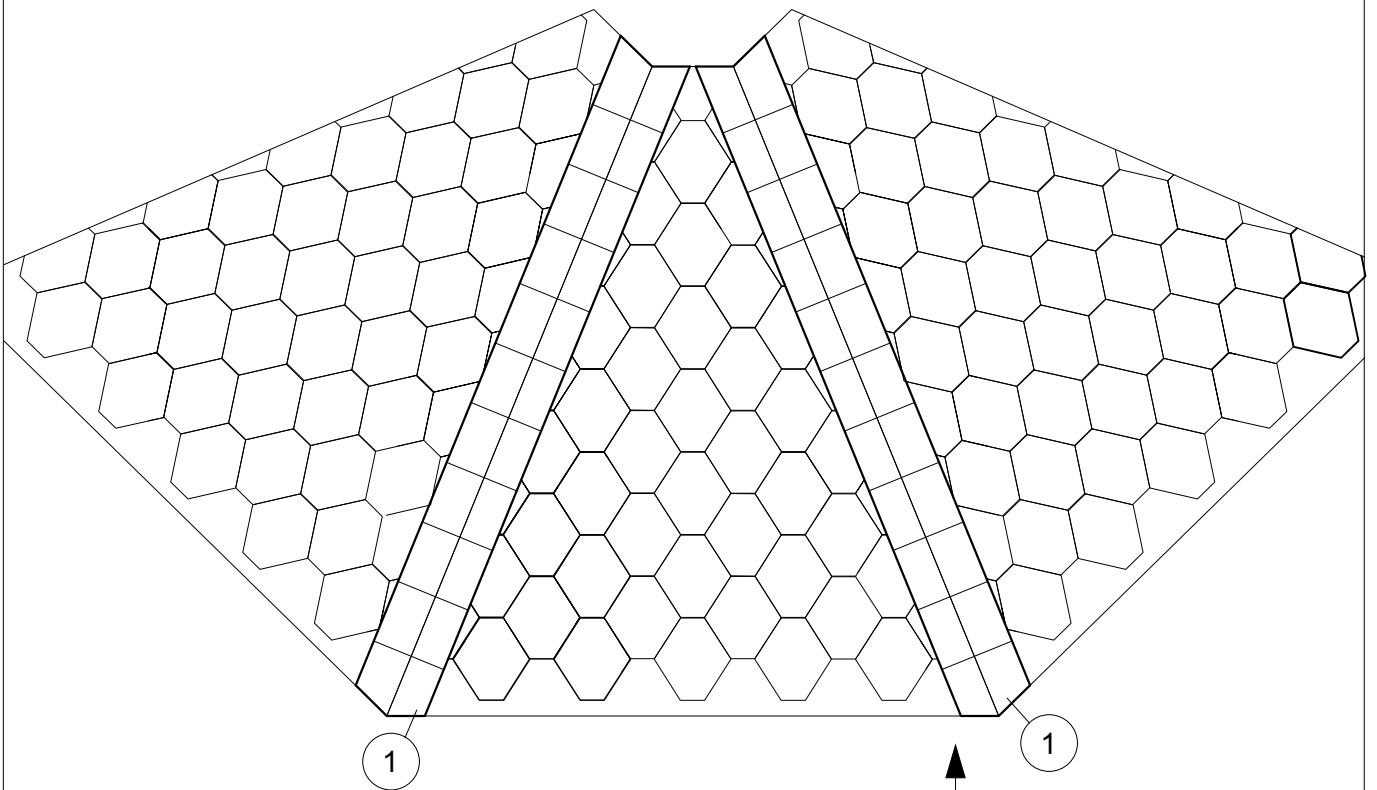


Bitumines-cerpes-3x250x1000



x 560

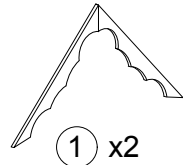
T-V-2x20



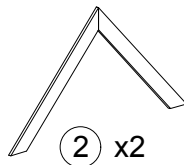


## 12. Grill / Camping / Sauna Cabin 16.5

### OUTSIDE FINISHING BOARD



M-18x95x820-CNC  
or  
M-18x95x981-CNC

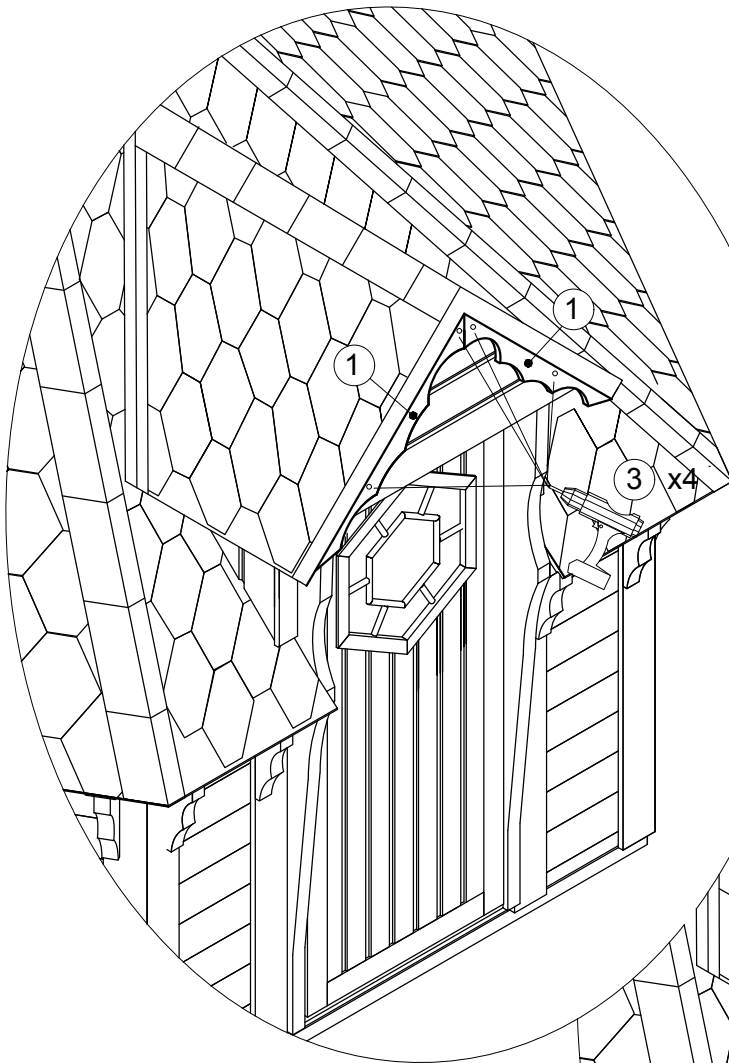


M-18x95x1050-F  
or  
M-18x95x1211-F

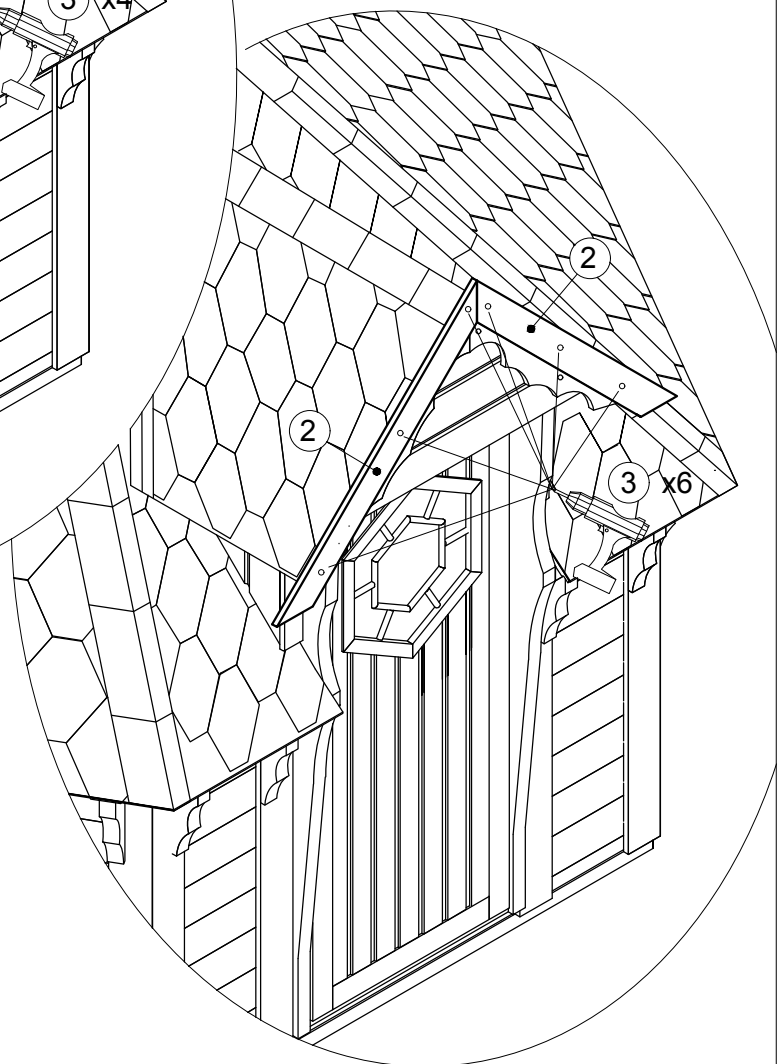


T-GC-3.5x45

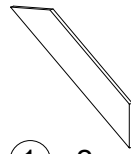
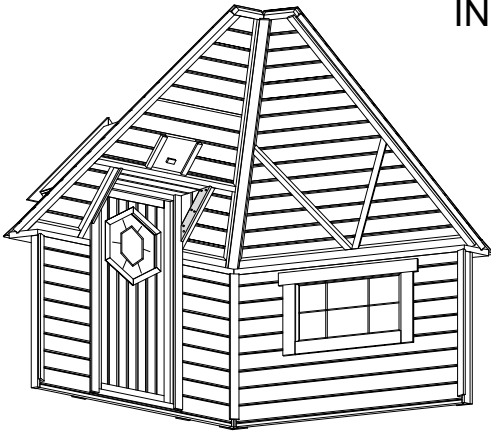
#### 1 Step



#### 2 Step

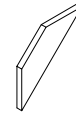


### 13. Grill / Camping / Sauna Cabin 16.5 INSIDE FINISHING BOARD



① x2  
M-18x83x488-F

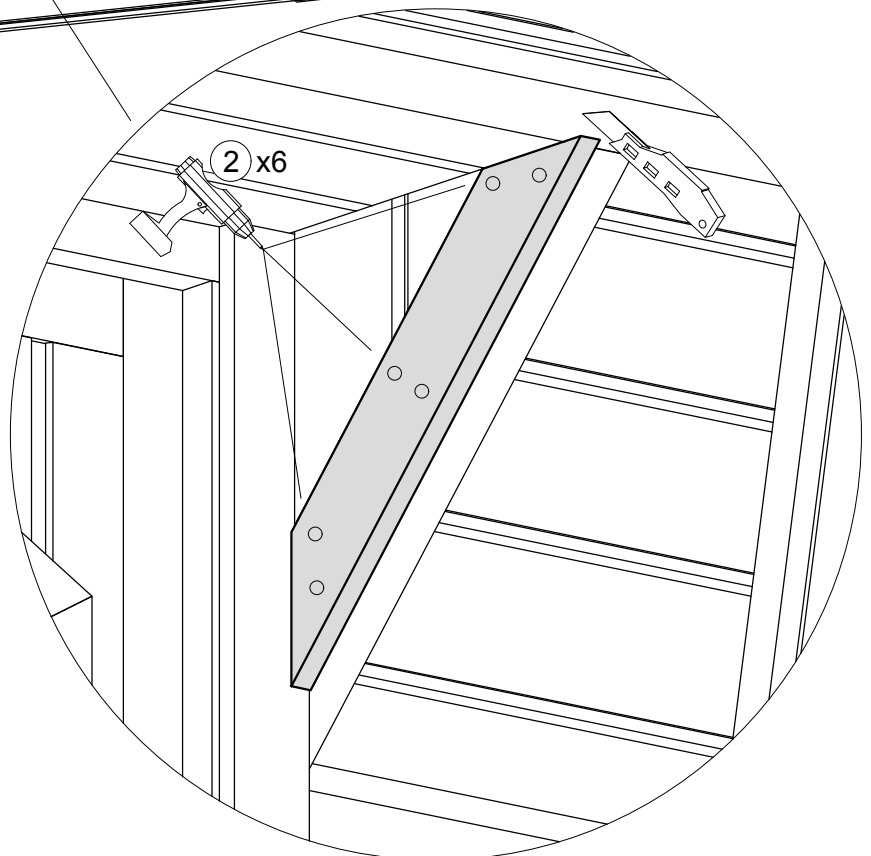
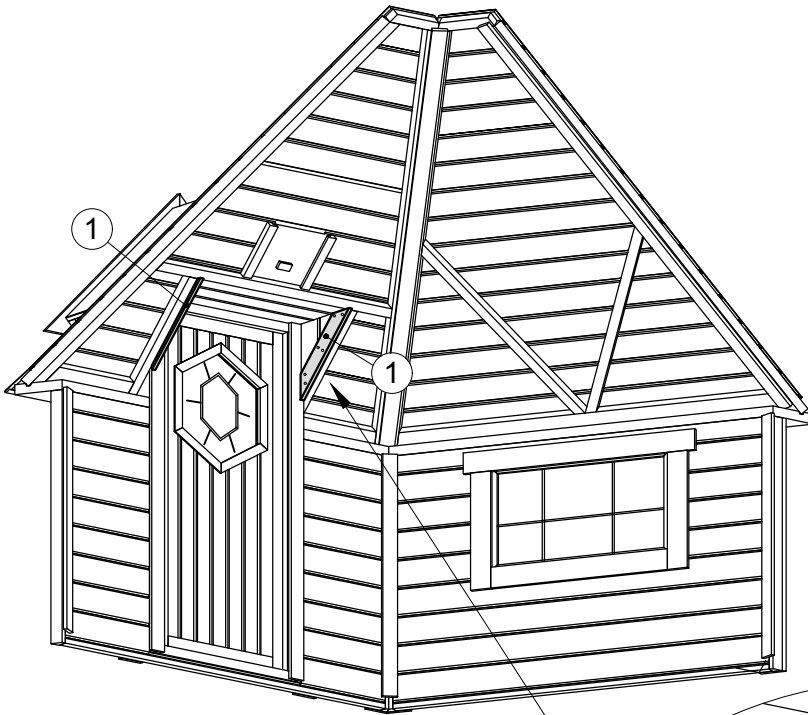
OR



① x2  
M-18x95x318-F



② x12  
T-GC-3.5x45



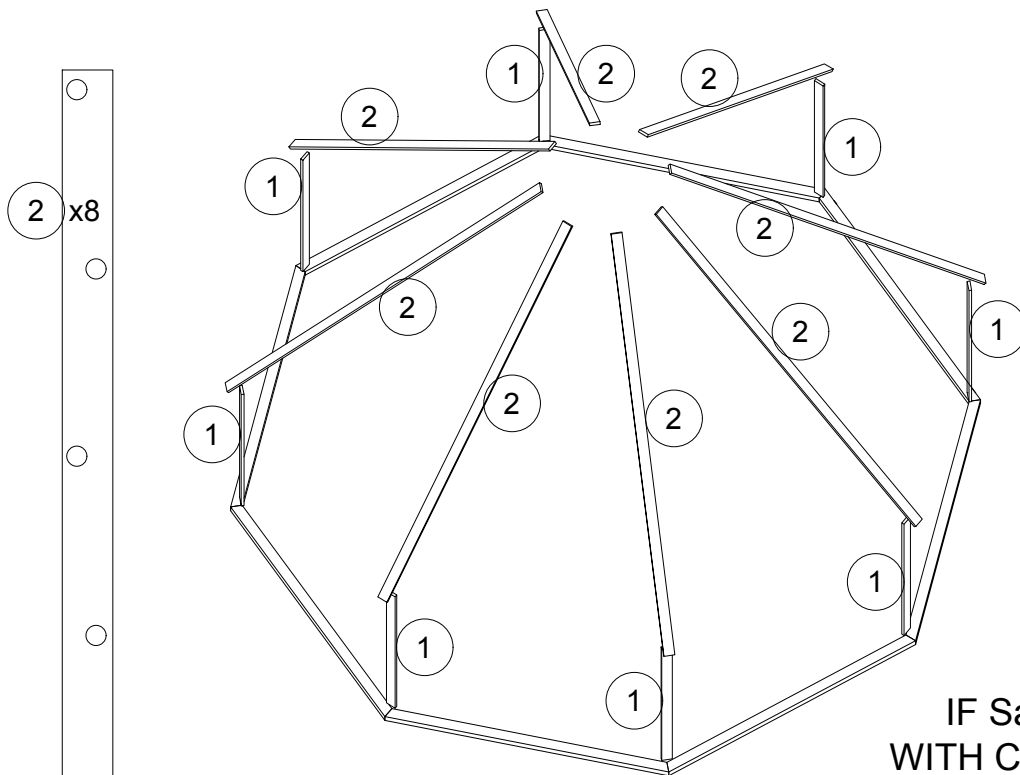
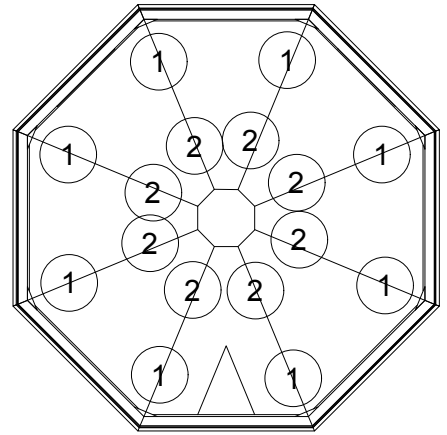
# 13.1 Grill / Camping Cabin 16.5

## INSIDE FINISHING BOARD

① x8  
 M-18x70x1105  
 or  
 M-18x70x1235  
 or  
 M-18x70x1365

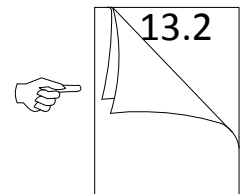
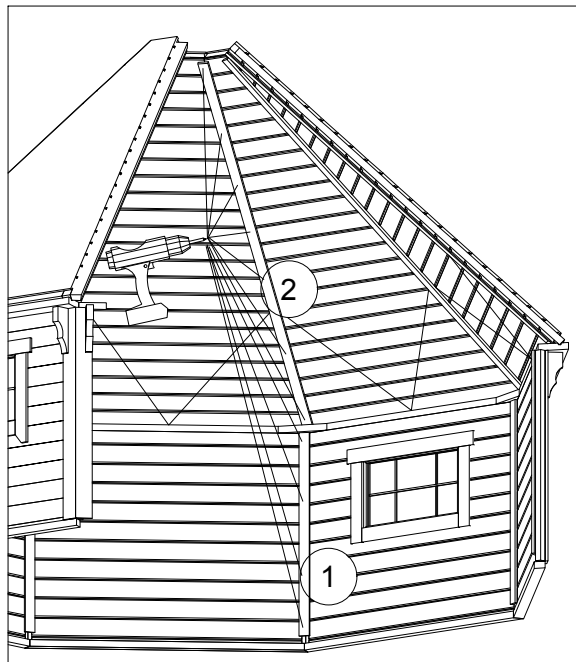
② x8  
 M-18x70x3040

③ x150  
 T-GC-3.5X45



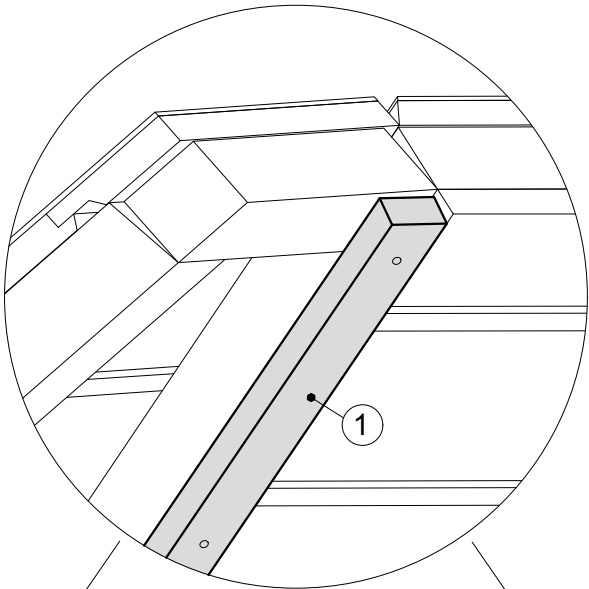
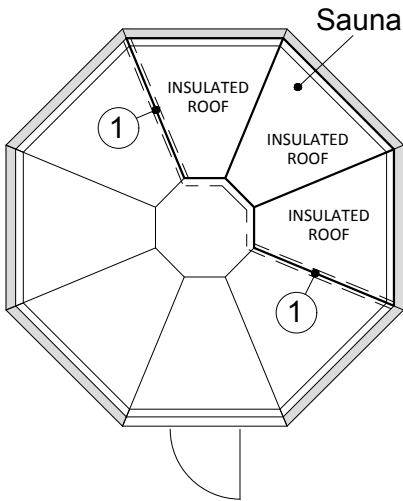
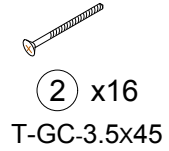
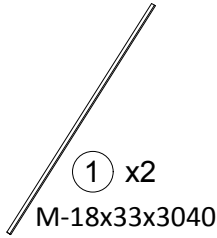
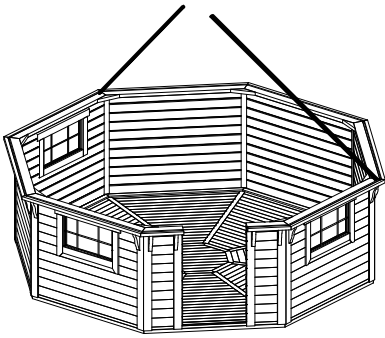
IF Sauna Cabin 16.5  
 WITH CHANGING ROOM

① x5

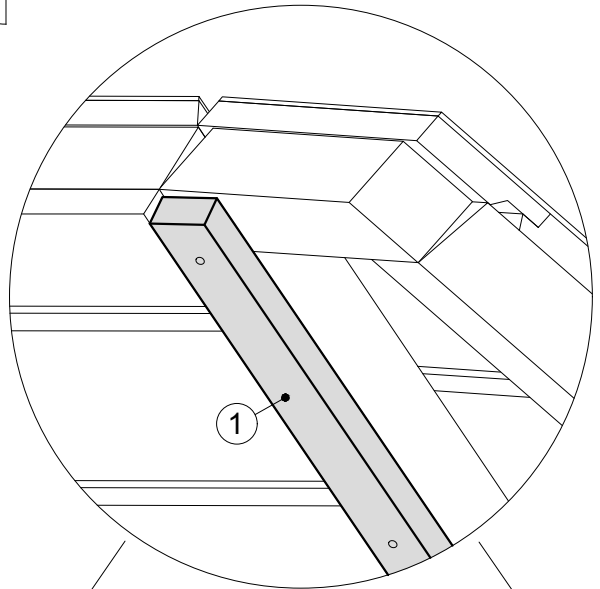


# 13.2 Sauna Cabin 16.5

## INSIDE FINISHING BOARD

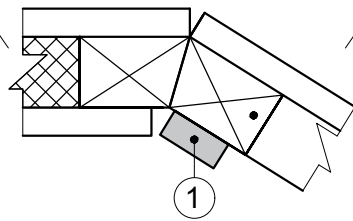
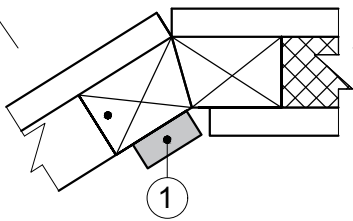


COLD ROOF



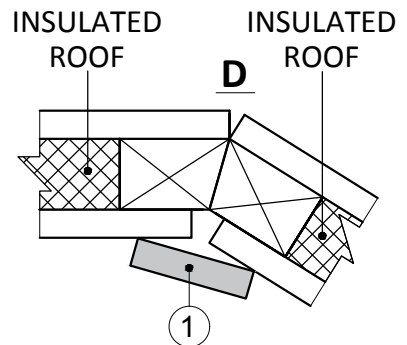
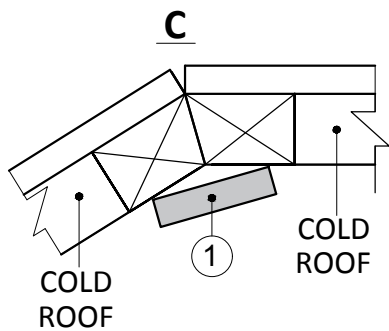
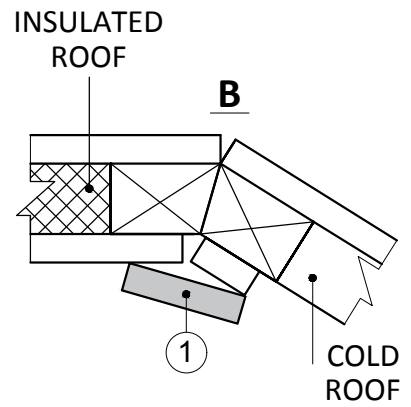
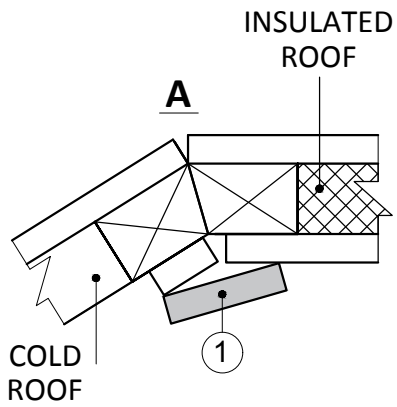
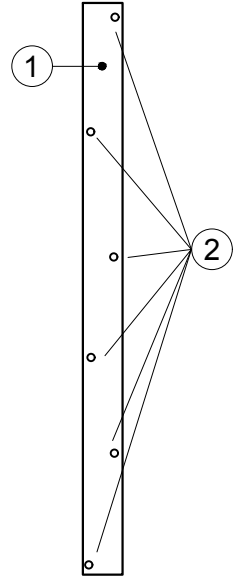
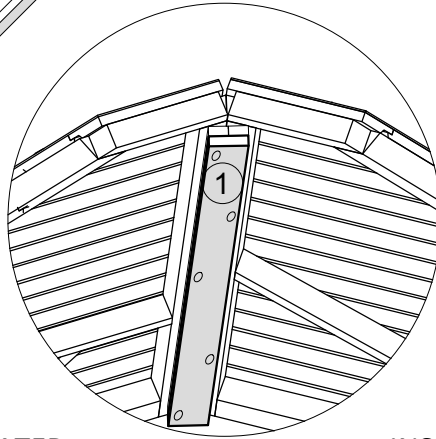
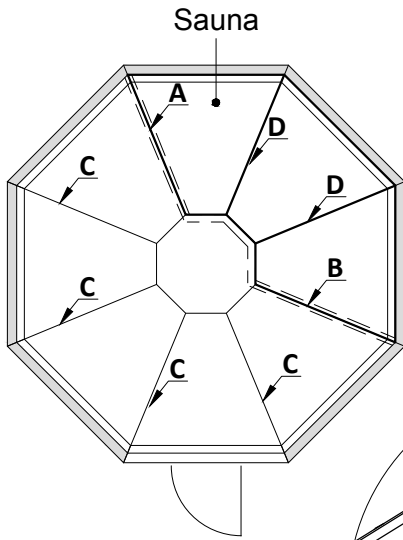
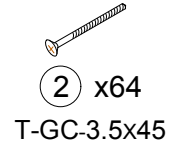
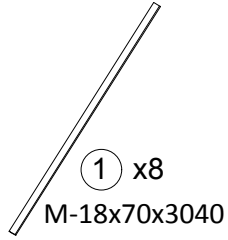
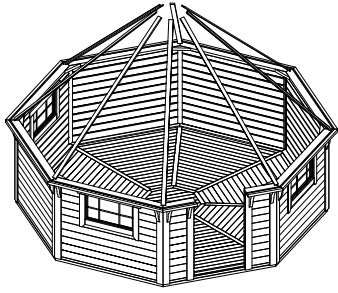
INSULATED ROOF

COLD ROOF

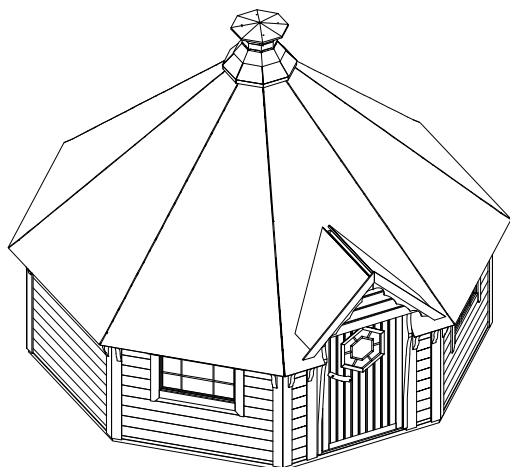


# 13.3 Sauna Cabin 16.5

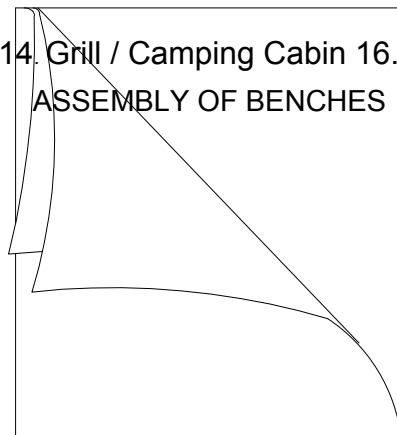
## INSIDE FINISHING BOARD



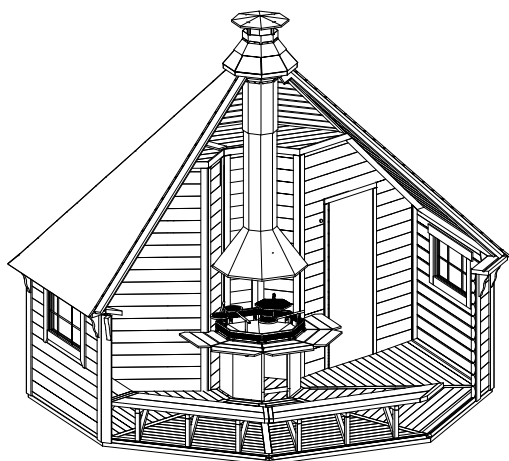
## GRILL / CAMPING CABIN 16.5



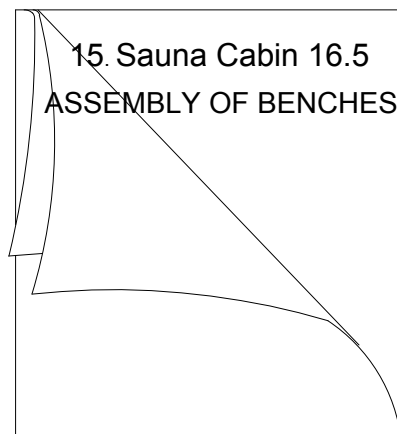
14. Grill / Camping Cabin 16.5  
ASSEMBLY OF BENCHES



## SAUNA CABIN 16.5 WITH CHANGING ROOM

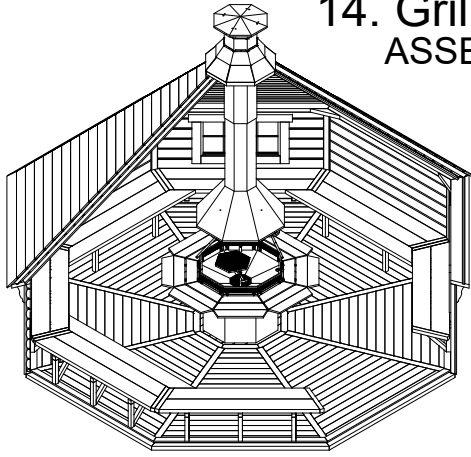


15. Sauna Cabin 16.5  
ASSEMBLY OF BENCHES

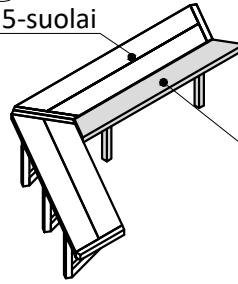


# 14. Grill / Camping Cabin 16.5

## ASSEMBLY OF BENCHES



① x7  
GR16.5-suolai



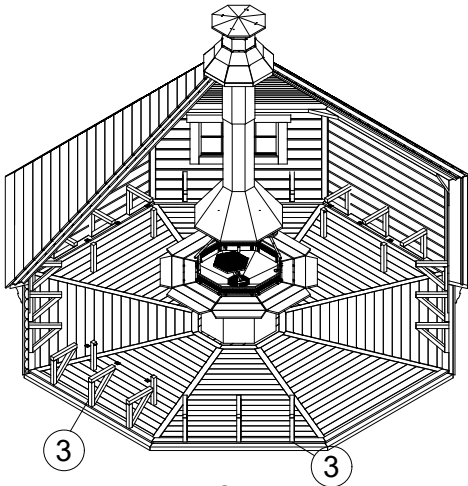
② x2  
GR16.5-suolu-  
praplatinimas

③ x21  
GR-suolu-  
kojos

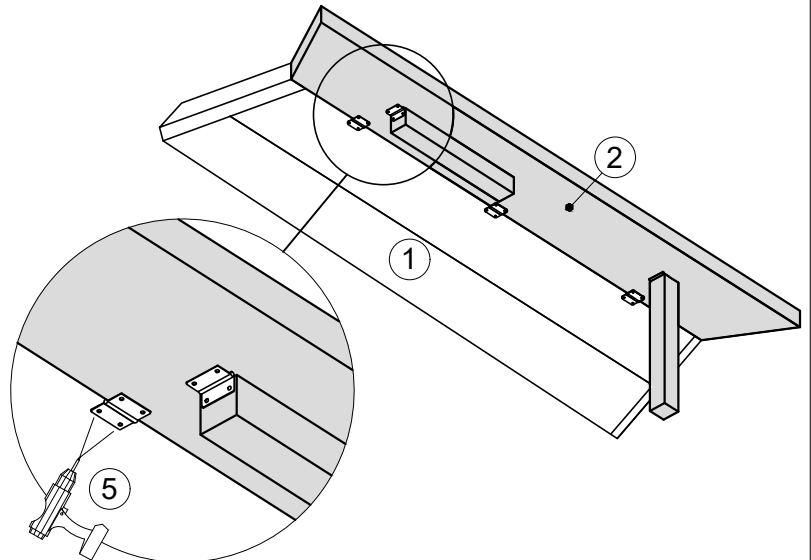
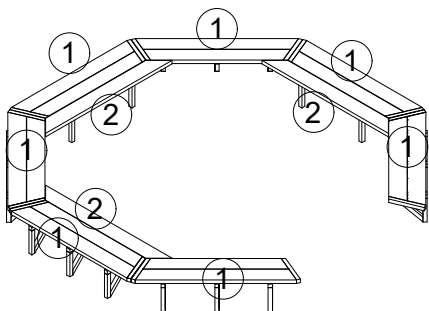
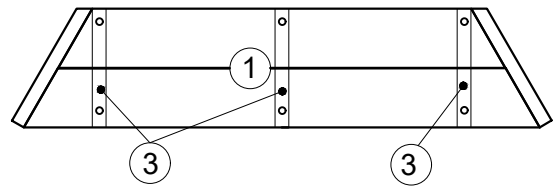
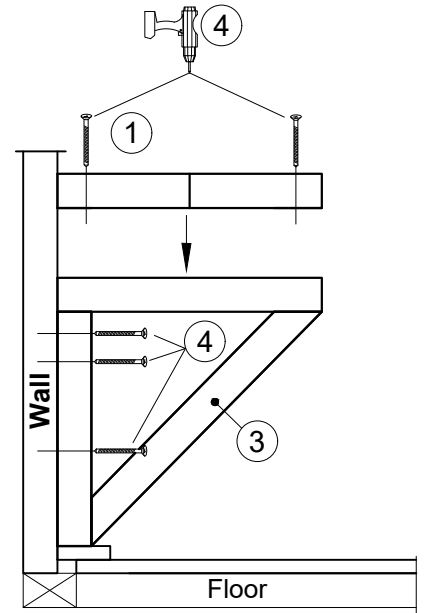
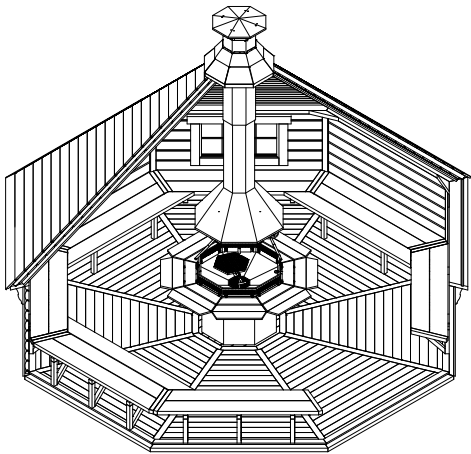
④ x105  
T-GC-6x80

⑤ x14  
T-GC-3x30

1 Step

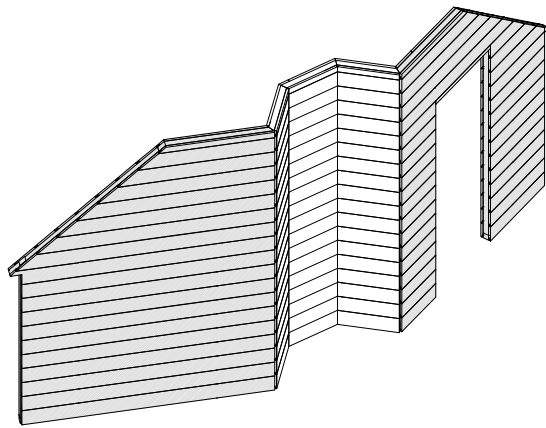



2 Step

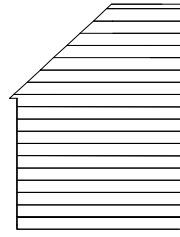


# 15. Sauna Cabin 16.5 with changing room

## INSIDE WALL ASSEMBLY

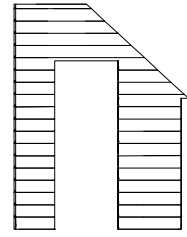


 **3** x16  
T-GC-5x100



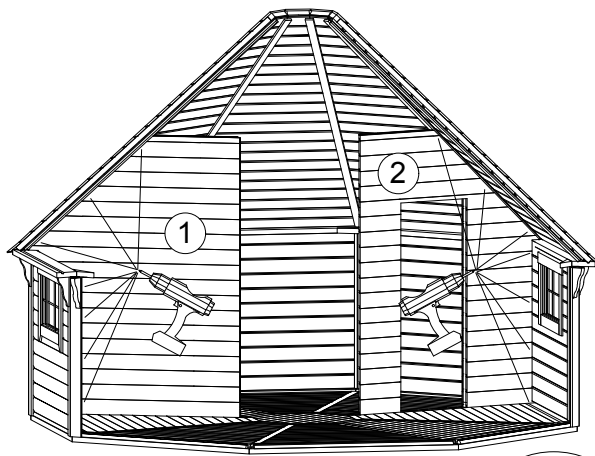
**1** x 1

S16.5-Pertv-1902x2480

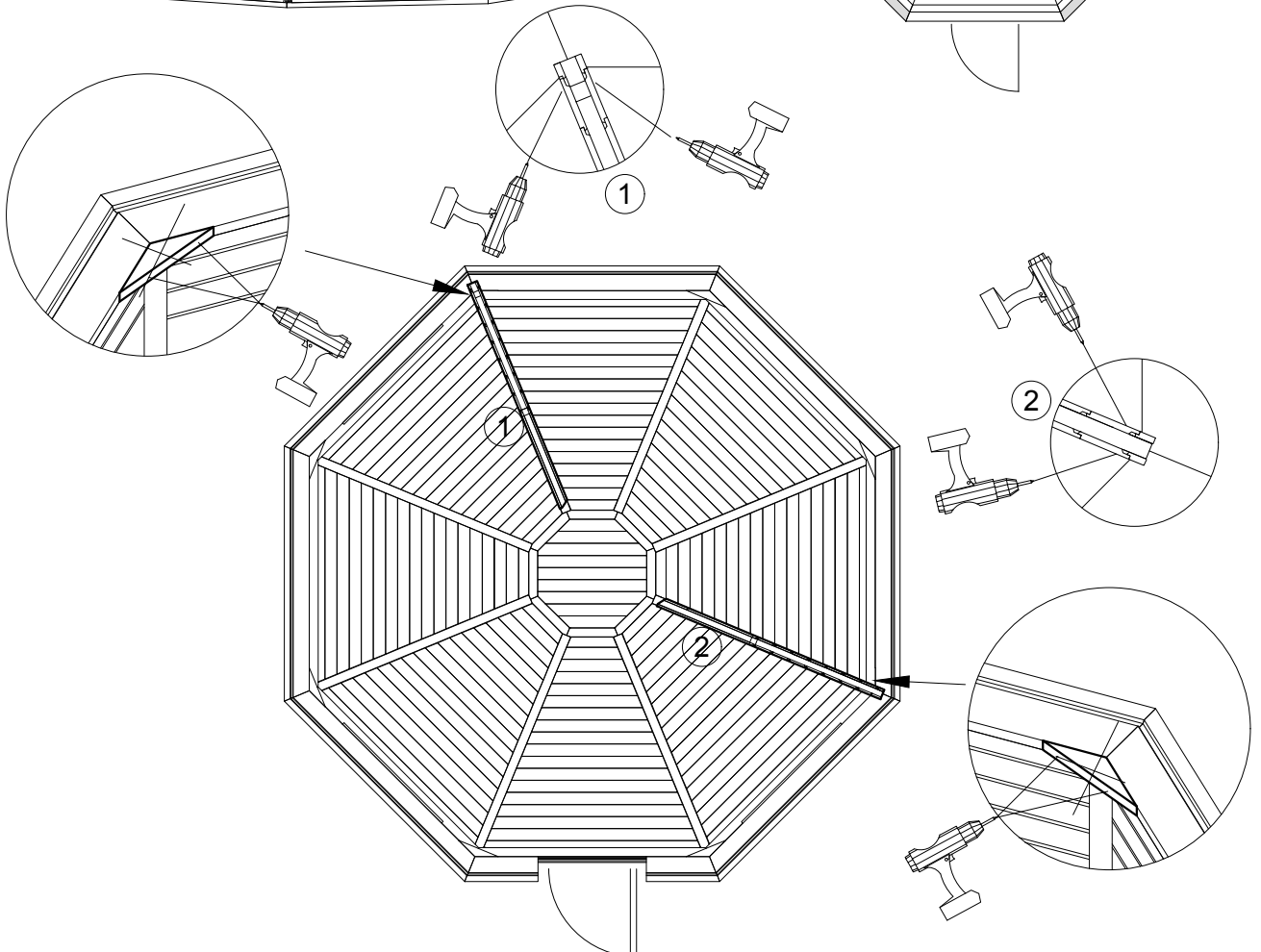
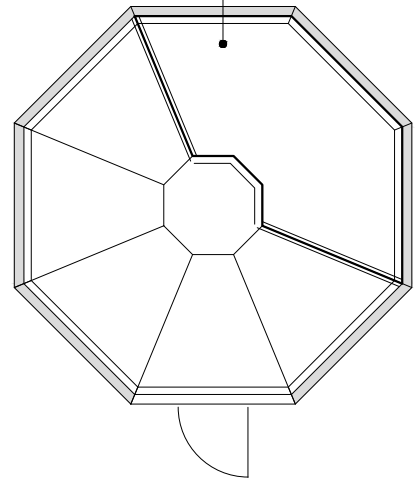


**2** x 1

S16.5-PertvD-1902x2480



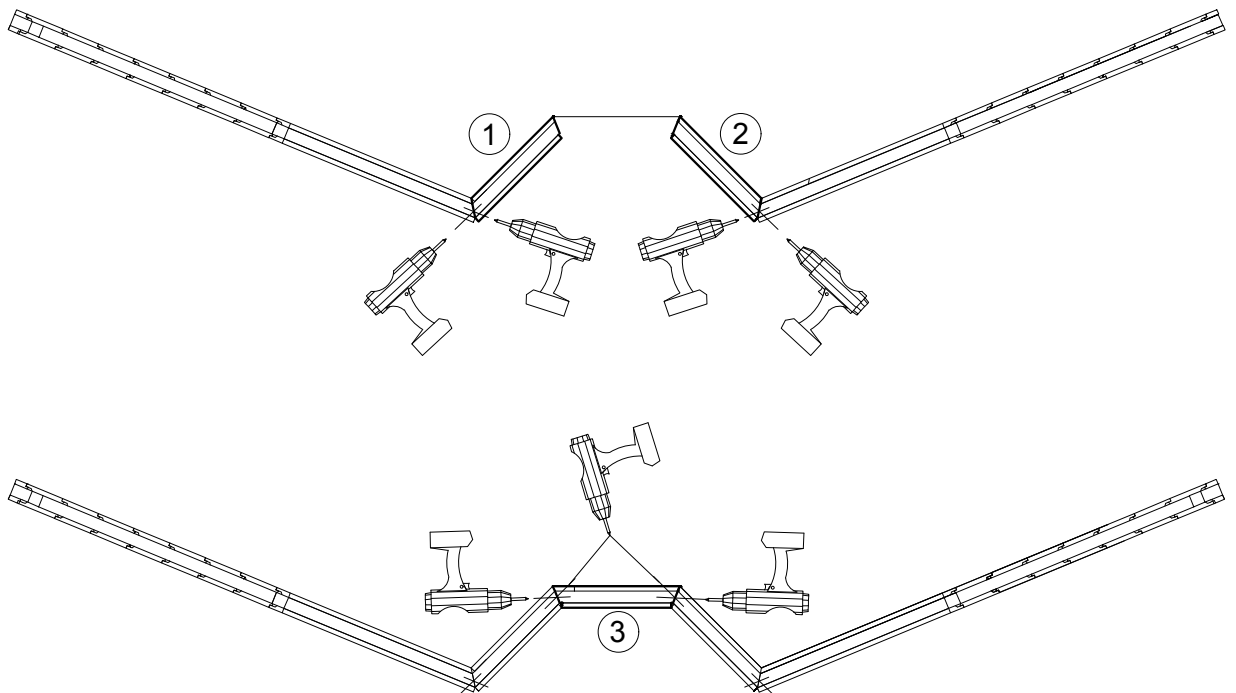
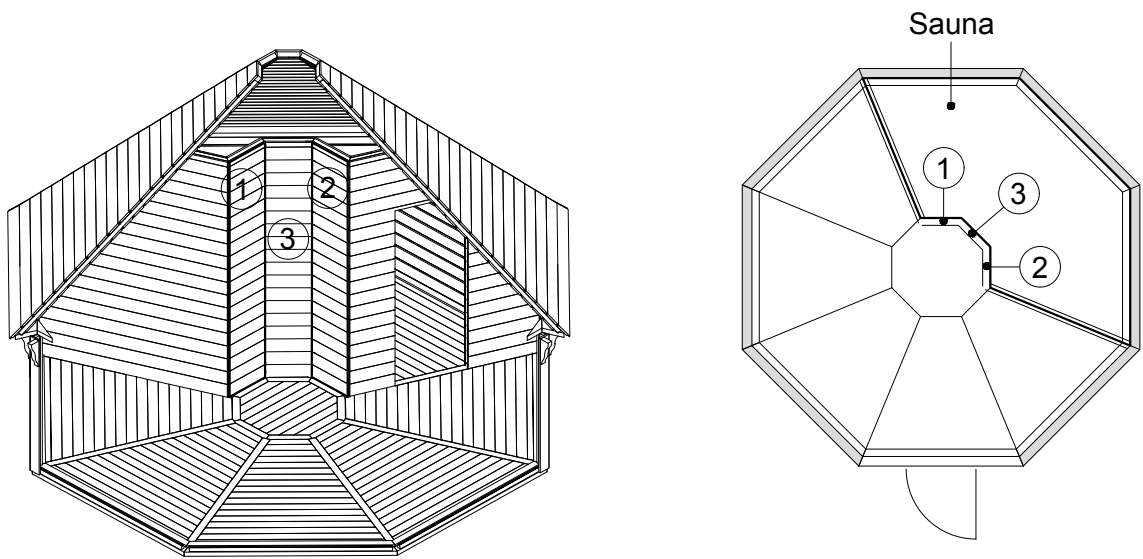
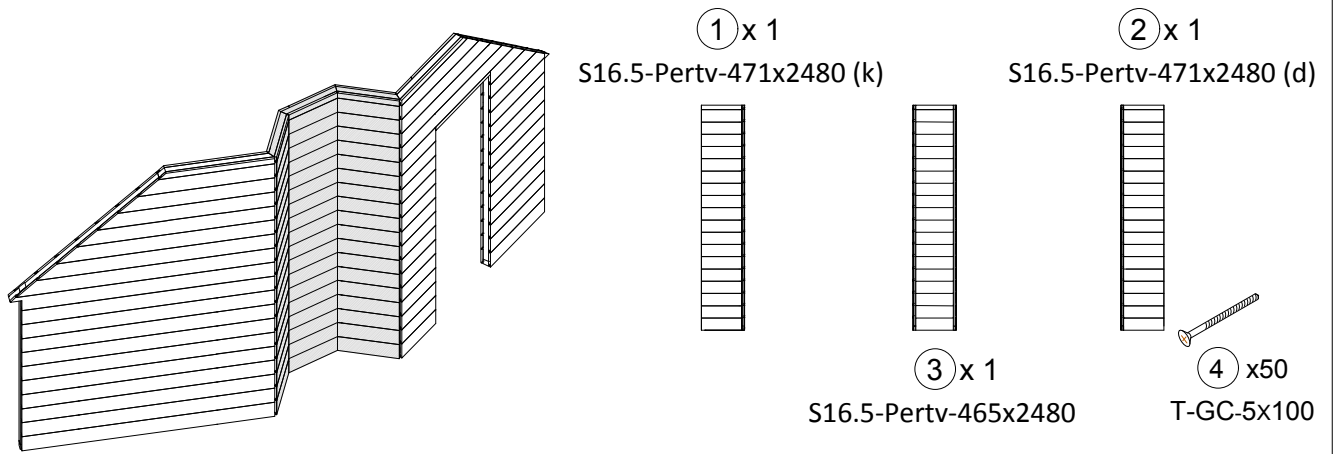
Sauna





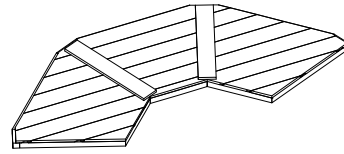
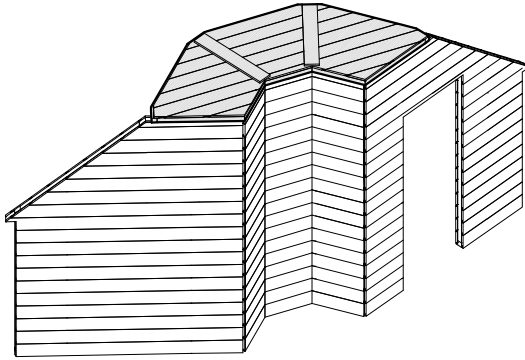
# 15.1 Sauna Cabin 16.5 with changing room

## INSIDE WALL ASSEMBLY



# 16. Sauna Cabin 16.5 with changing room

## CEILING ASSEMBLY



① x 1

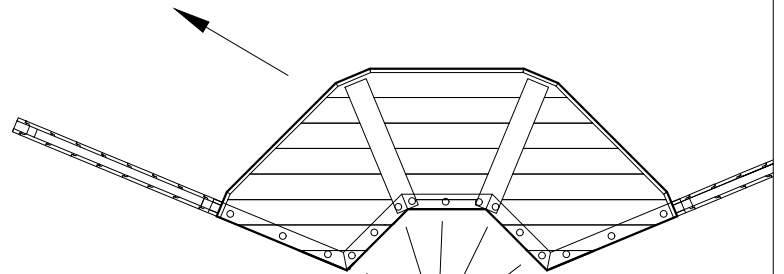
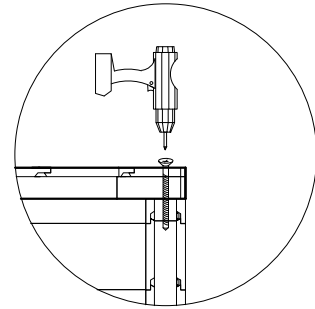
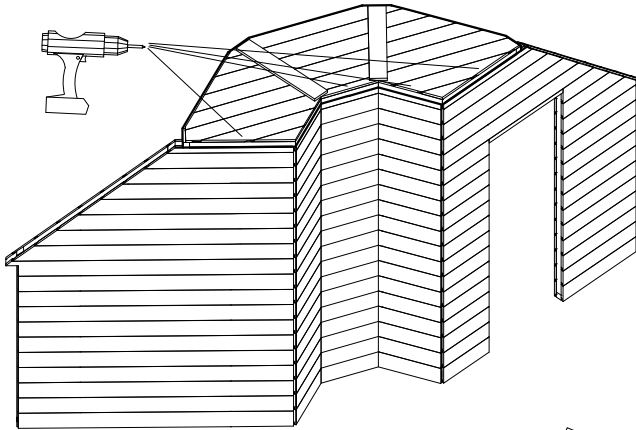
SGR16.5-Lubos-1066x2436



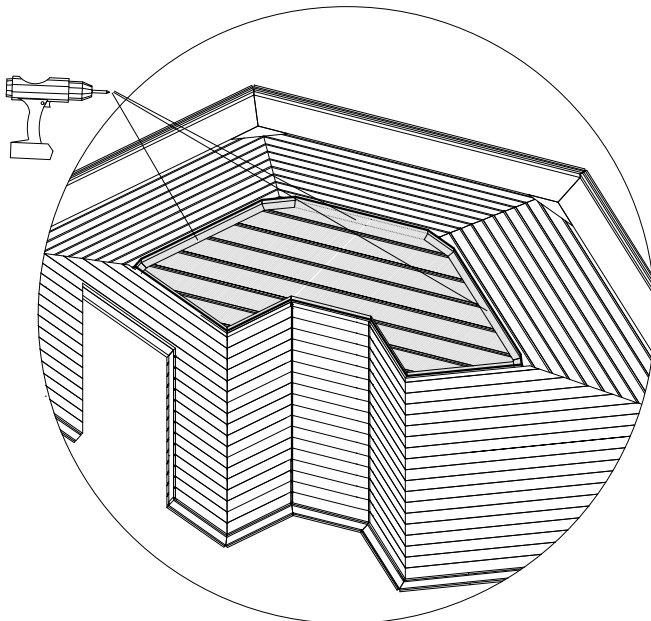
② x30

T-GC-5x100

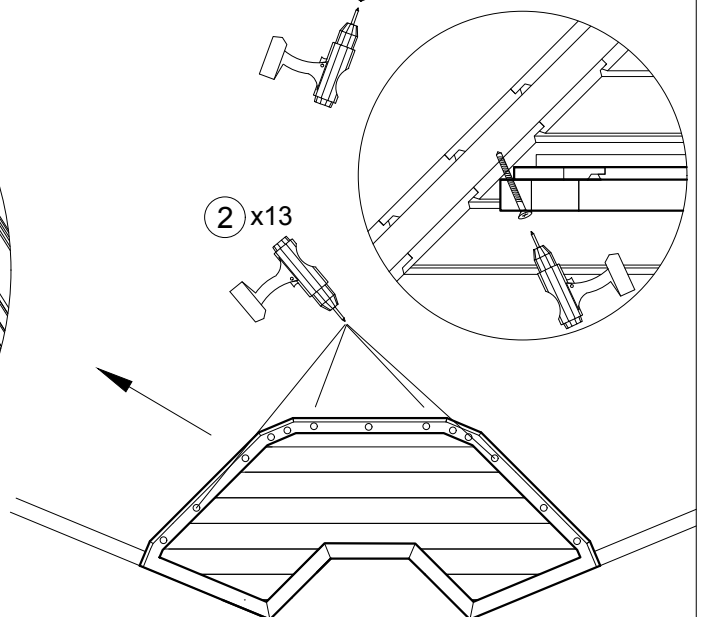
1 Step



2 Step

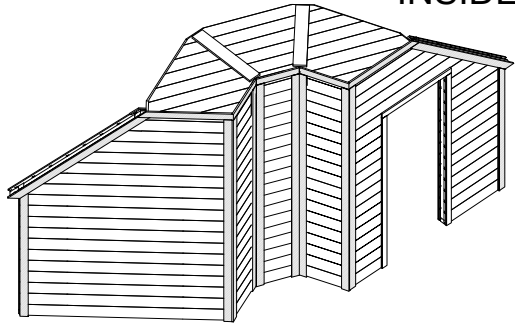


② x13

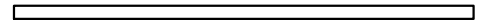


# 17. Sauna Cabin 16.5 with changing room

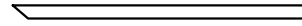
## INSIDE WALL FINISHING BOARD



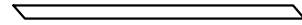
① x8  
M-18x70x2473



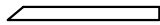
② x4  
M-18x70x1511-F



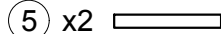
③ x2  
M-18x70x1590-F



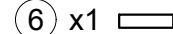
④ x2  
M-18x70x813-F



⑤ x2  
M-18x70x470



⑥ x1  
M-18x70x393



⑦ x8  
M-18x70x2410



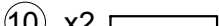
⑧ x2  
M-18x70x1515-F



⑨ x2  
M-18x70x824-F



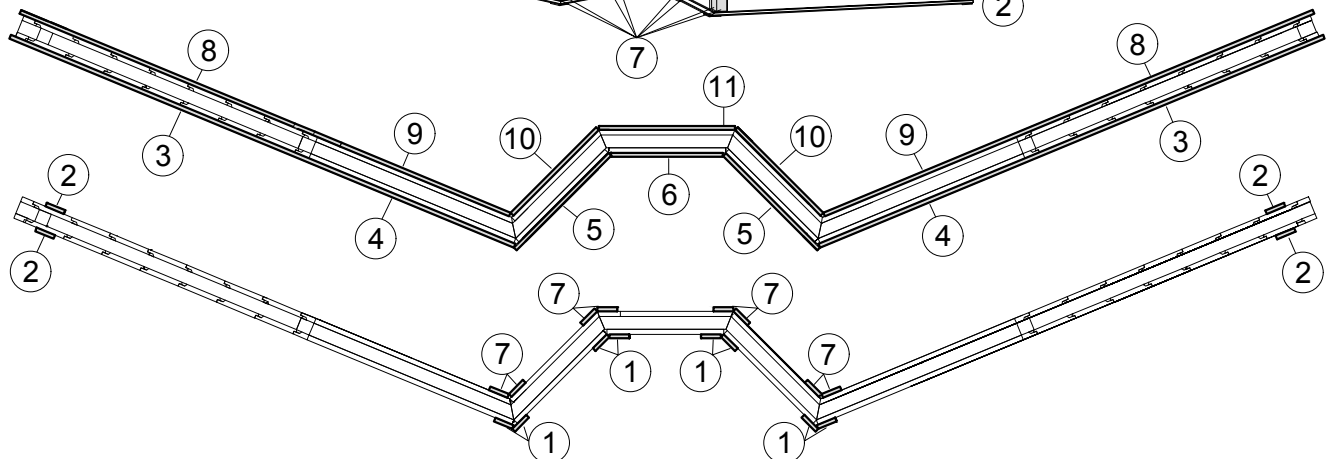
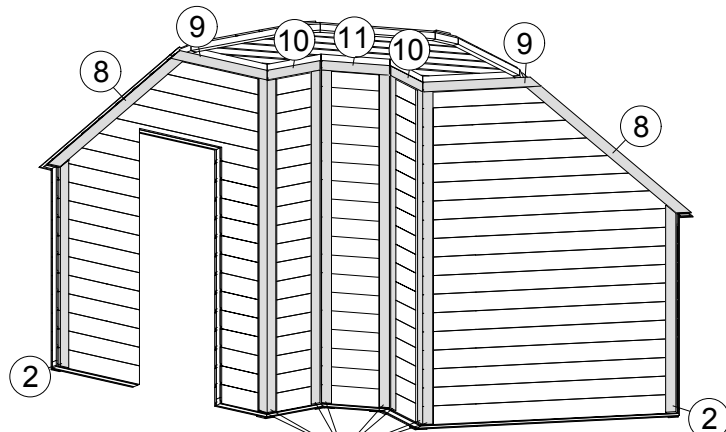
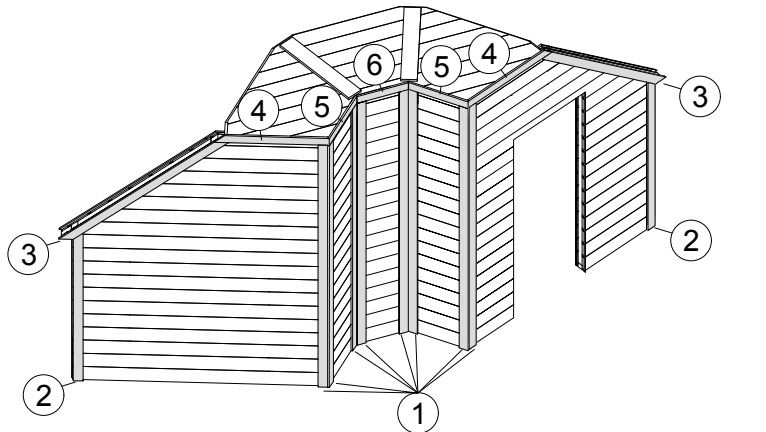
⑩ x2  
M-18x70x426



⑪ x1  
M-18x70x480

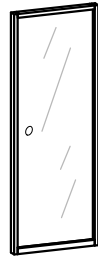
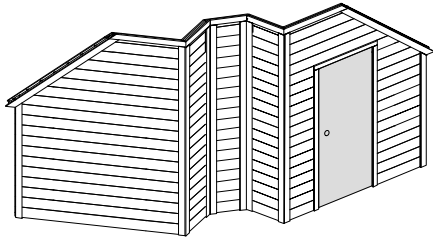


⑫ x244  
T-GC-3.5x45



# 18. Sauna Cabin 16.5 with changing room

## INSIDE DOOR AND FINISHING BOARD



① x1  
PUS00233

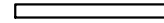
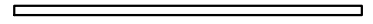
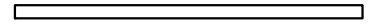
② x3  
M-18x70x1840

③ x1  
M-18x50x1840

④ x2  
M-18x70x810

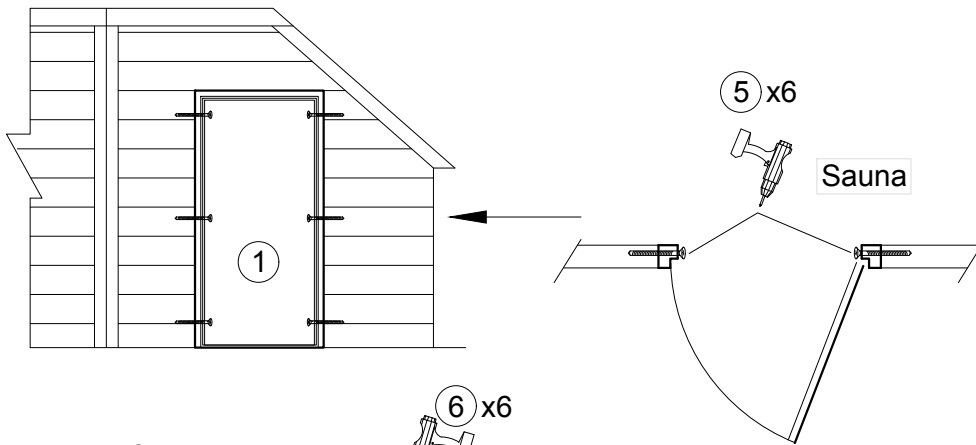


⑤ x6  
T-GC-5x100

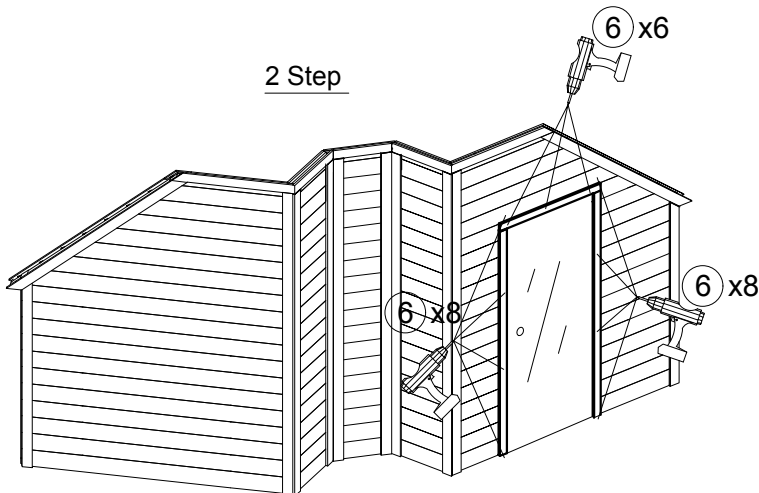


⑥ x48  
T-GC-3.5x45

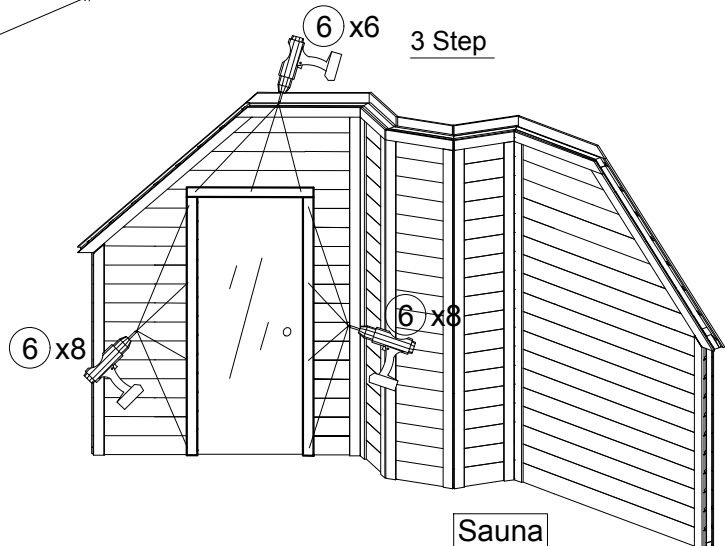
### 1 Step



### 2 Step



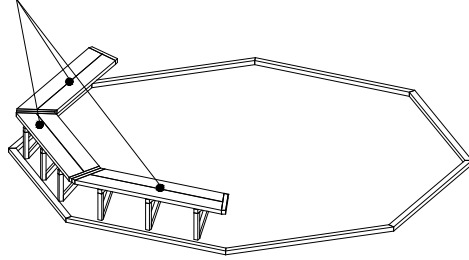
### 3 Step



# 19. Sauna Cabin 16.5 with changing room

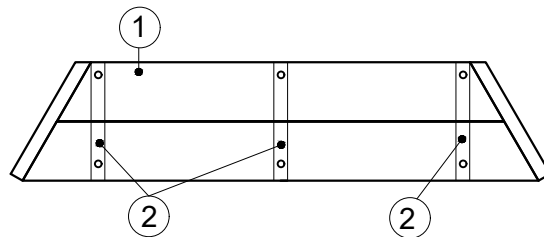
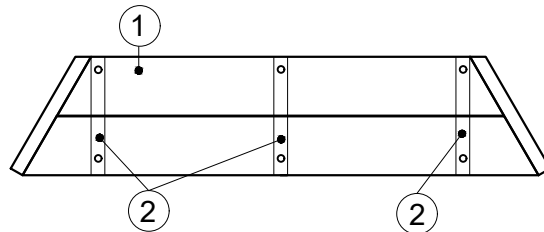
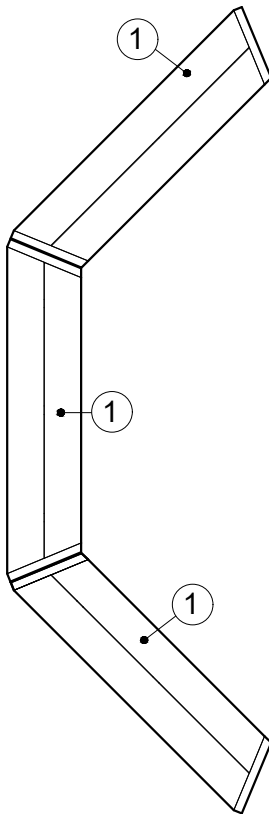
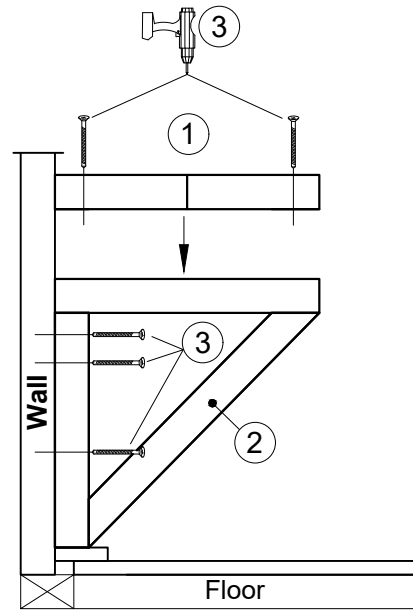
## ASSEMBLY OF BENCHES

① x3  
GRS16.5-suolai



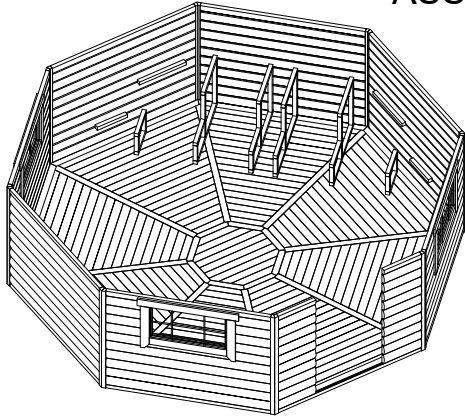
② x9  
GR-suolu-kojos

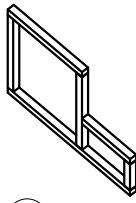
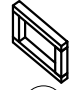



③ x45  
T-GC-6x80

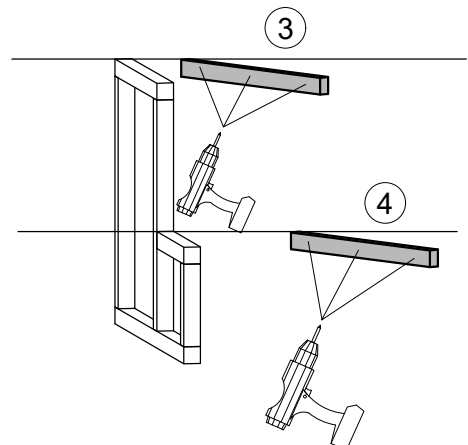
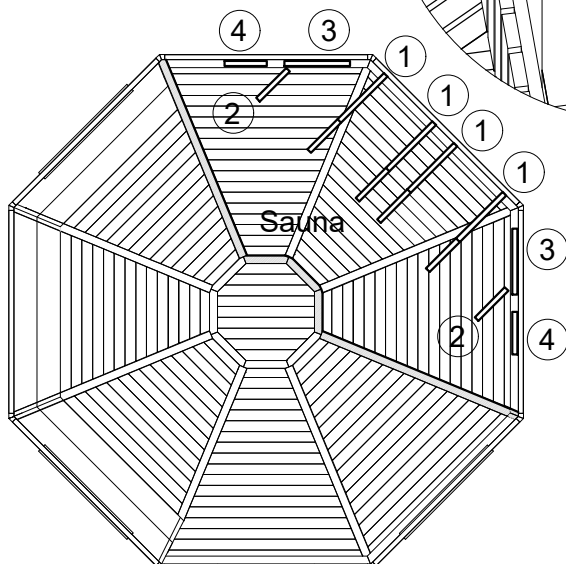
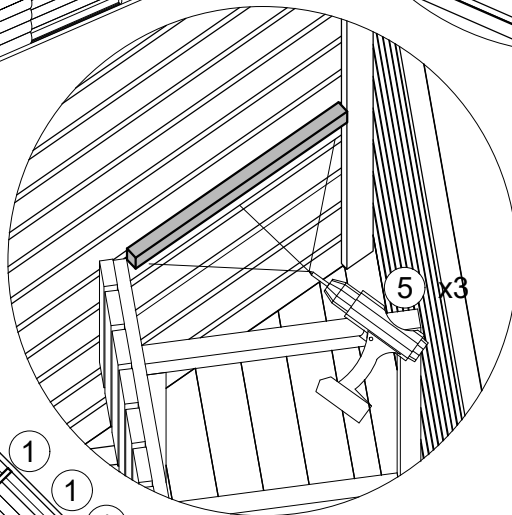
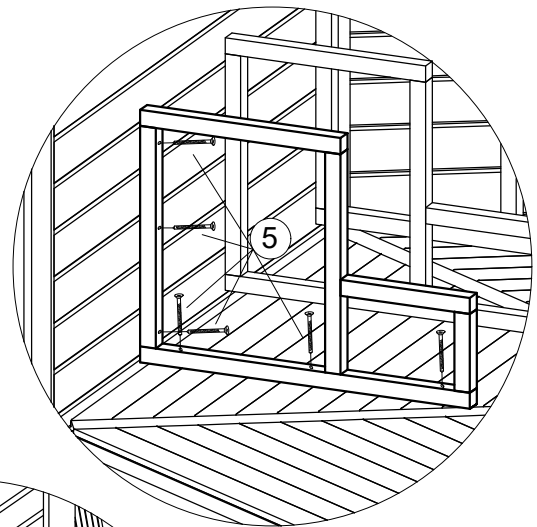
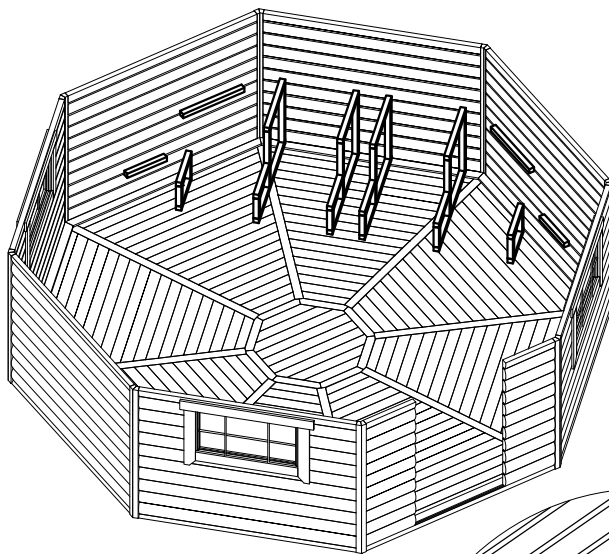


# 20. Sauna Cabin 16.5 with changing room

## ASSEMBLY OF BENCHES

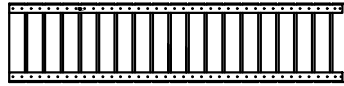
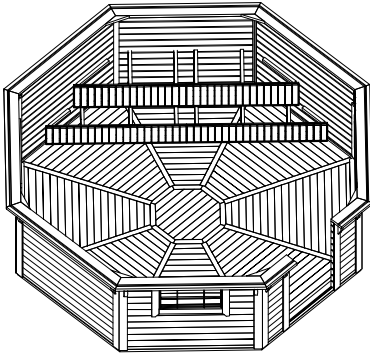


-   
**1** x4  
 S-koja-954x705
-   
**2** x2  
 S-koja-310x374
-   
**3** x2  
 M-45x45x374
-   
**4** x2  
 M-45x45x580
-   
**5** x28  
 T-GC-6x80

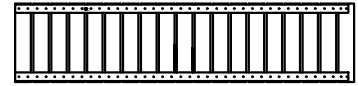


# 20.1 Sauna Cabin 16.5 with changing room

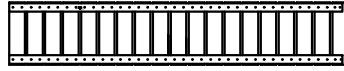
## SAUNA BENCHES



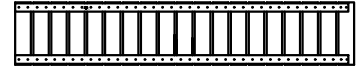
① x1  
S16.5-gultas-1487x415



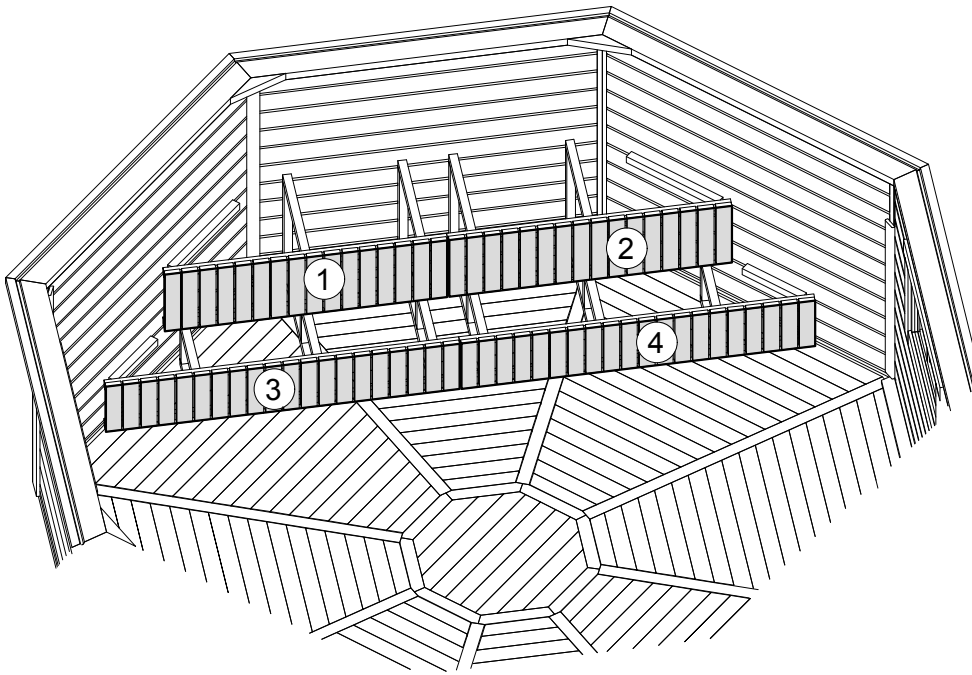
② x1  
S16.5-gultas-1487x415



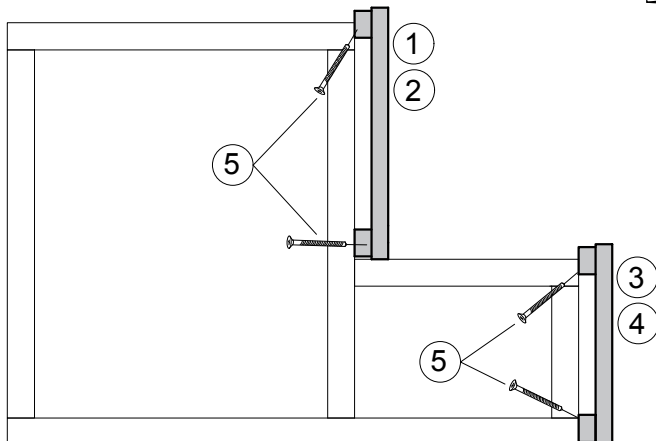
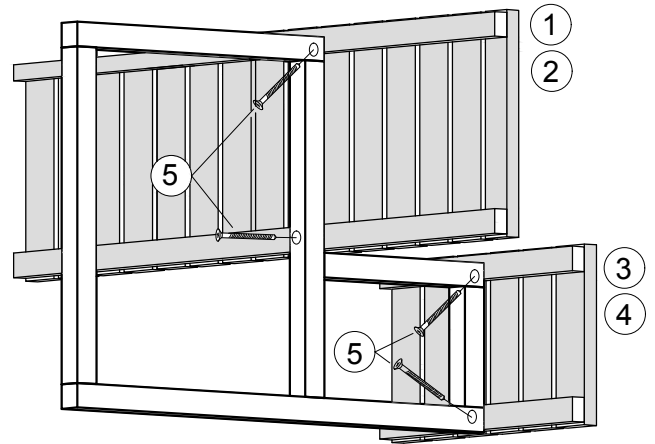
③ x1  
S16.5-gultas-1859x330



④ x1  
S16.5-gultas-1859x330

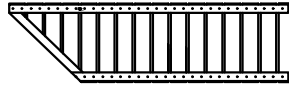
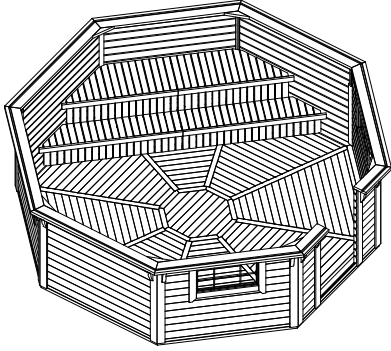


⑤ x24  
T-GC-5x80

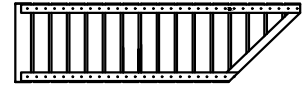


# 20.2 Sauna Cabin 16.5 with changing room

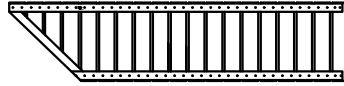
## SAUNA BENCHES



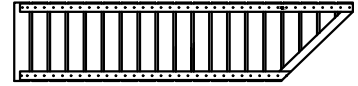
① x1  
S16.5-gultas-628x1481



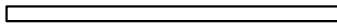
② x1  
S16.5-gultas-628x1481



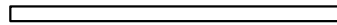
③ x1  
S16.5-gultas-373x1854



④ x1  
S16.5-gultas-373x1854



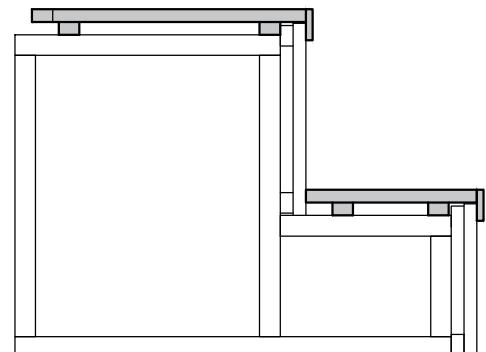
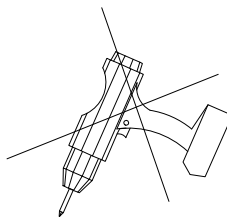
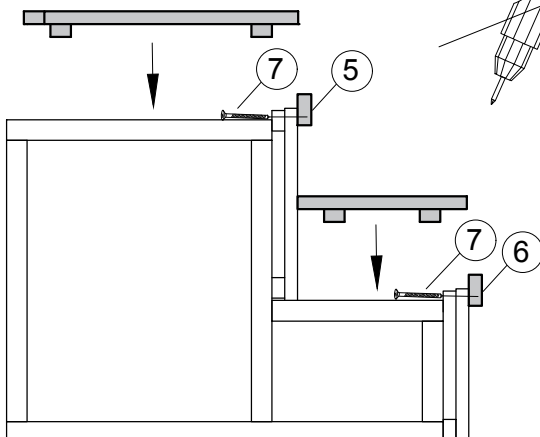
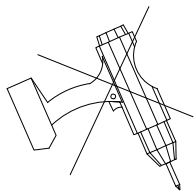
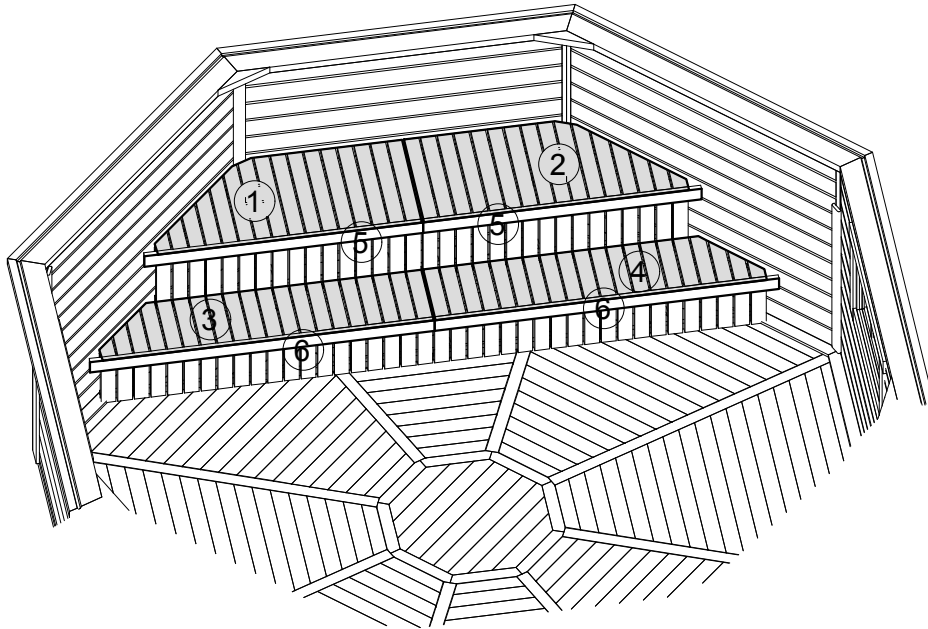
⑤ x1  
Mpl-28x82x1558



⑥ x1  
Mpl-28x82x1926



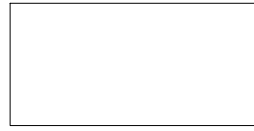
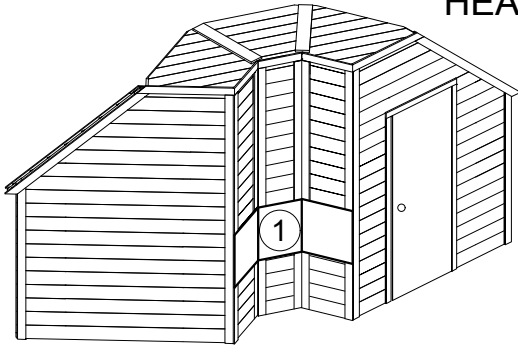
⑦ x30  
T-GC-5x80





# 21. Sauna Cabin 16.5 with changing room

## HEAT- RESISTANT PLATES

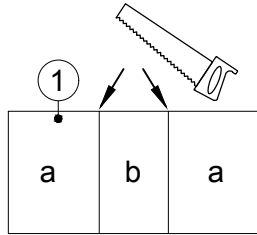


① x2  
HEAT- RESISTANT  
PLATE

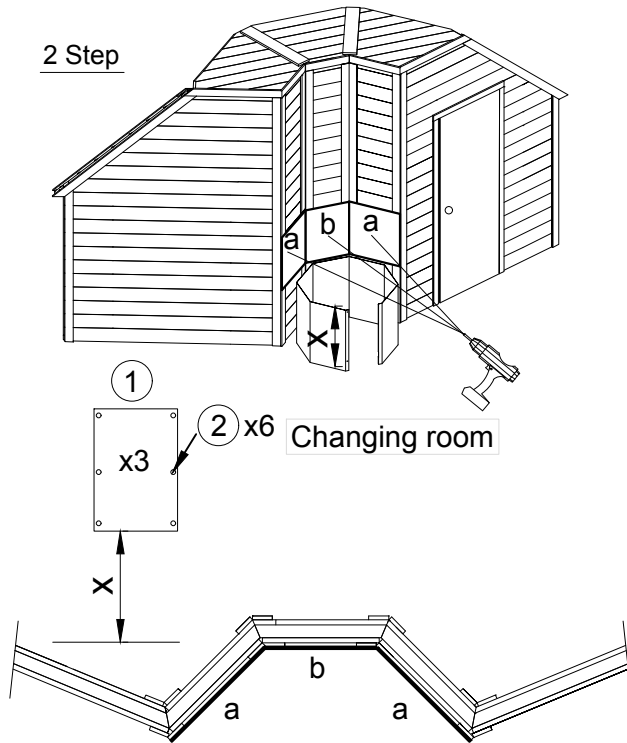


② x28  
T-GC-3.5x45

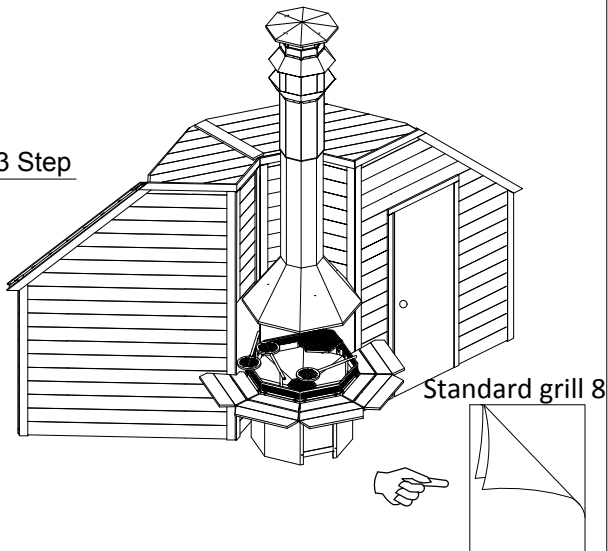
1 Step



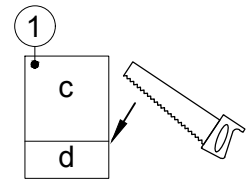
2 Step



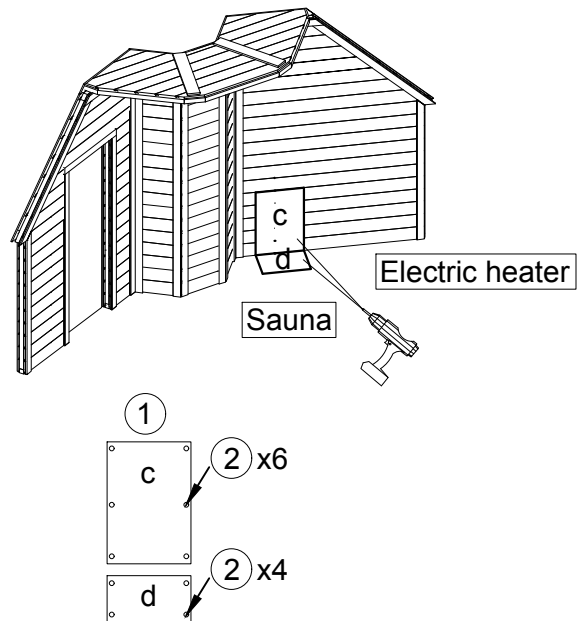
3 Step



1 Step



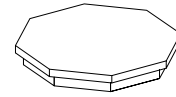
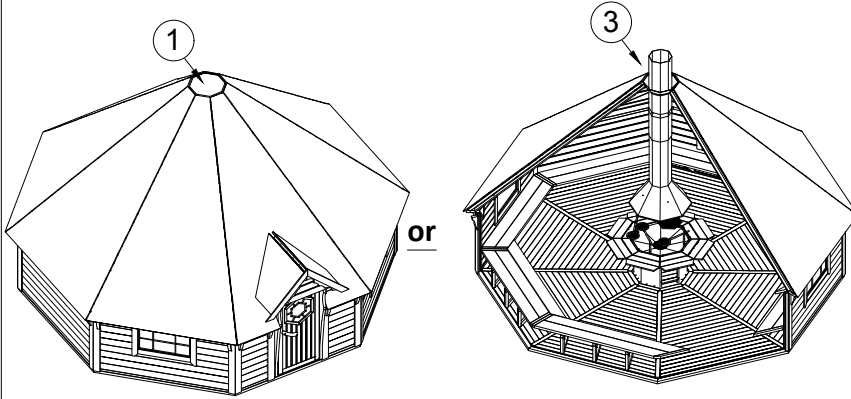
2 Step



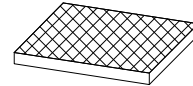
**ATTENTION !**

FOLLOW THE MANUFACTURER'S  
RECOMENDATIONS WHEN INSTALLING  
THE SAUNA HEATER

## 22. Grill / Camping / Sauna Cabin 16.5

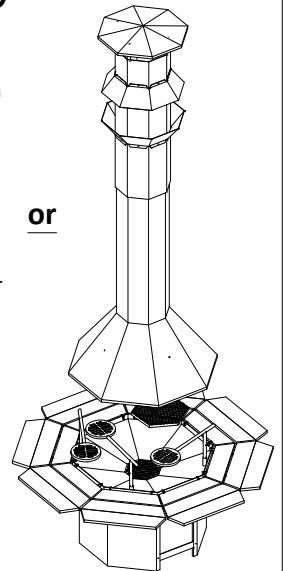


① x1  
GR8k-Stog-  
dangtis-511x554



If insulated roof

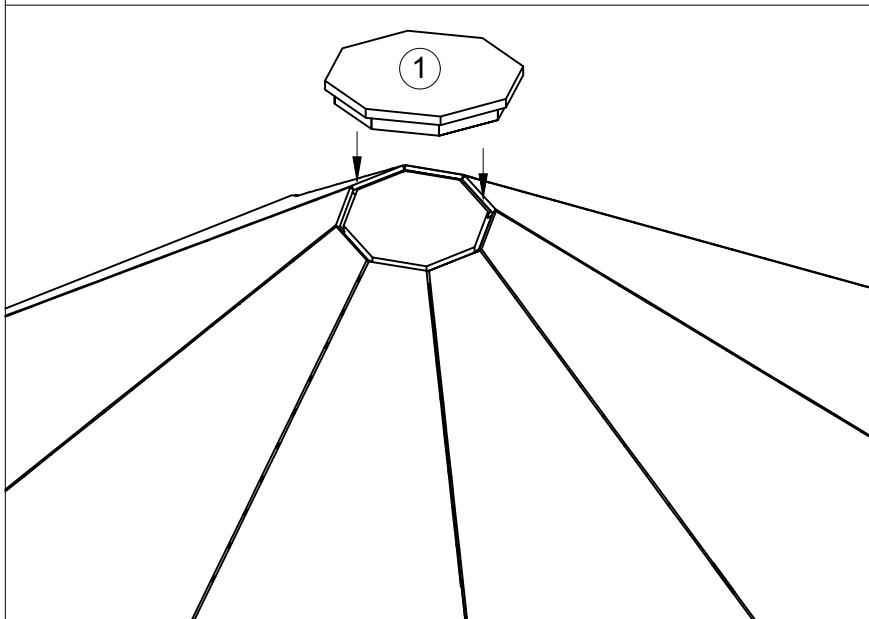
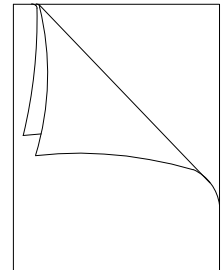
② x1  
Akmens vata



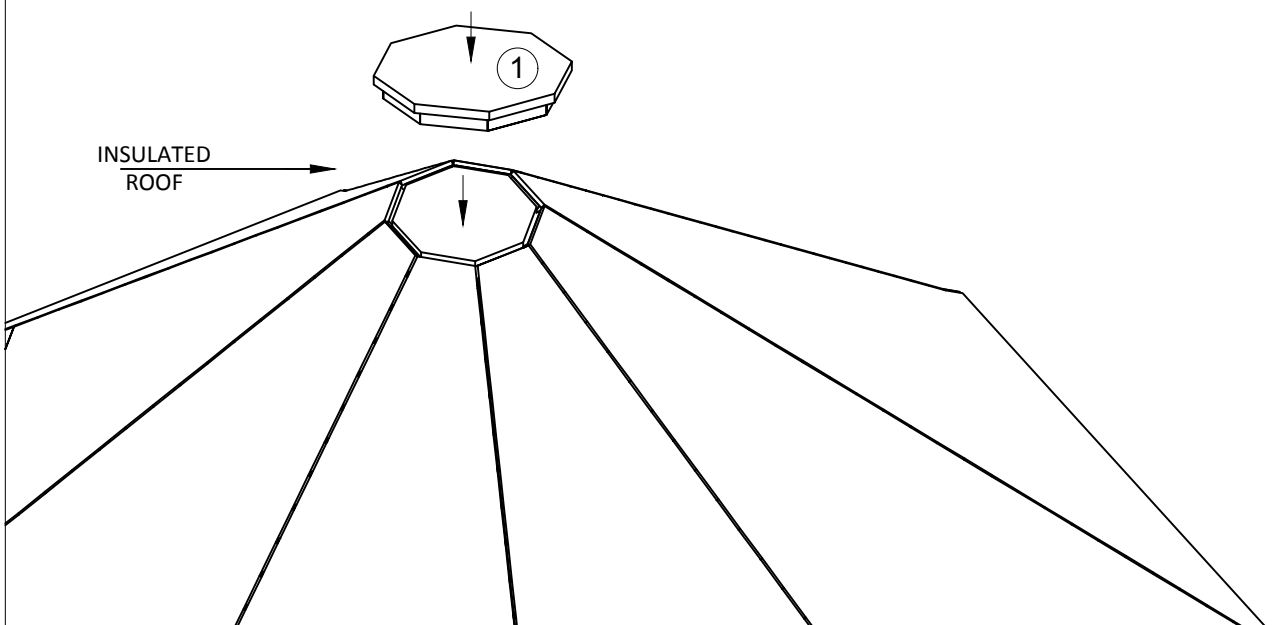
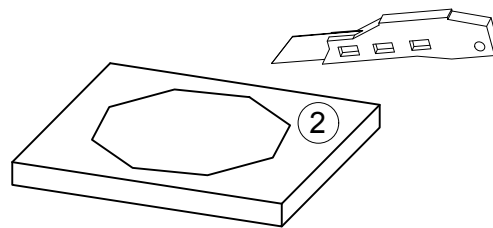
③ x1  
GRC08  
or  
GRCV01  
or  
GRL06  
or  
GRP08



Standard grill 8

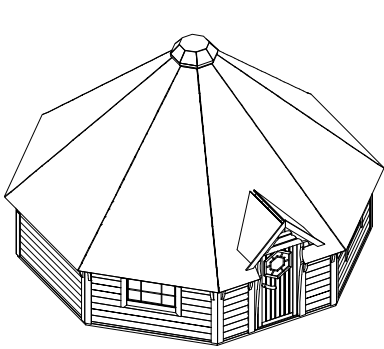


or

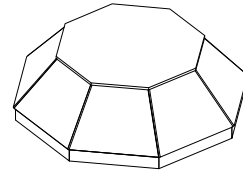
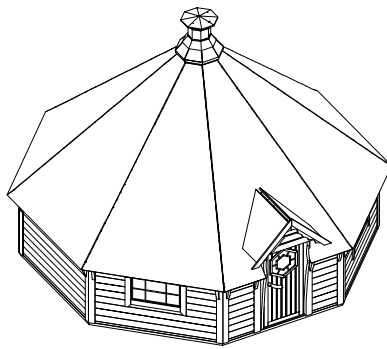


# 23. Grill / Camping / Sauna Cabin 16.5

## ROOF HAT



or



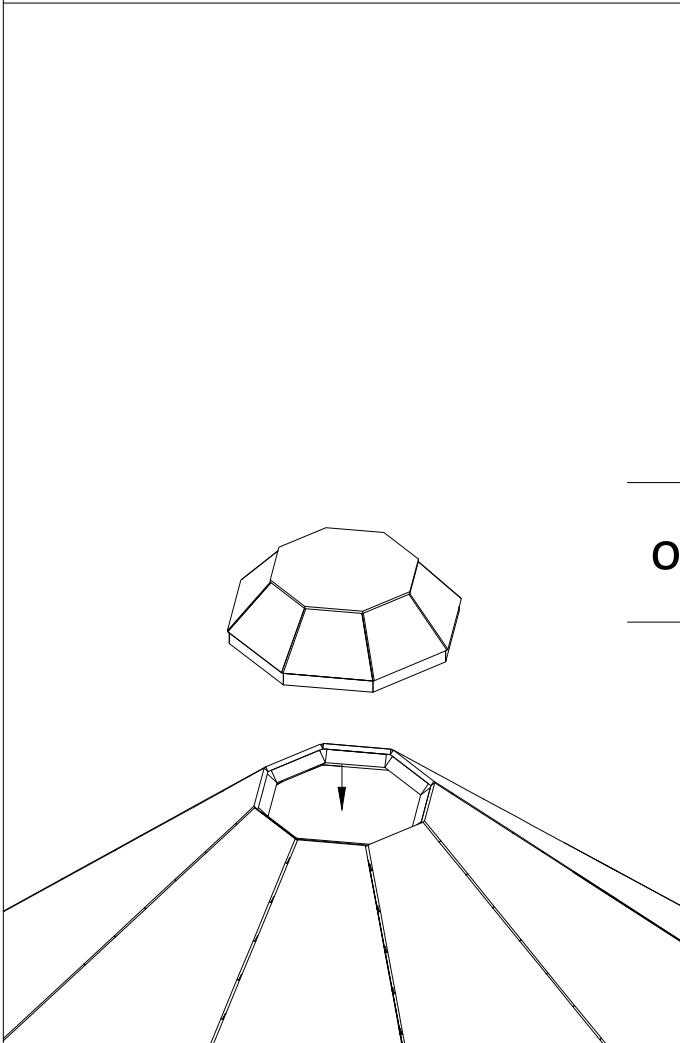
① x1

GR8k-Kepures-dangtis  
or  
GR8k-Kepure



② x16

T-GC-4x70



or

