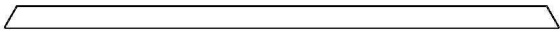

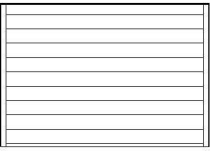
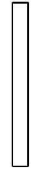
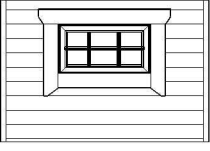
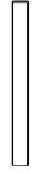

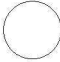

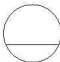
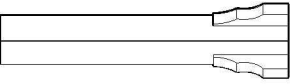
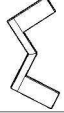
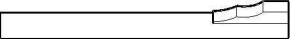
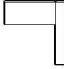


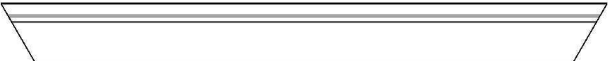




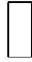
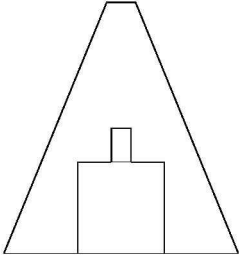
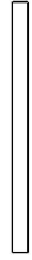
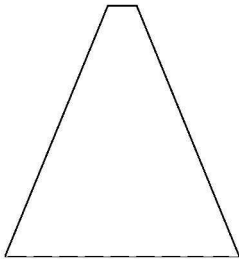
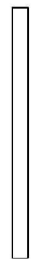












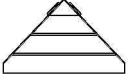

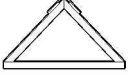

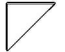

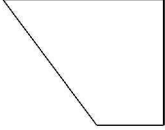

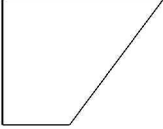

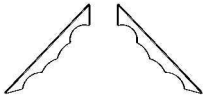

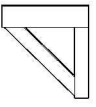

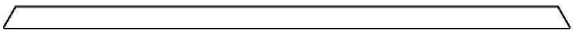



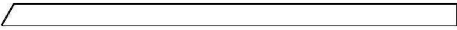

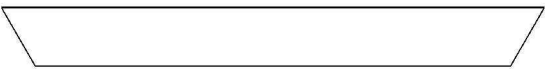









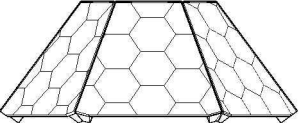
# OPEN GRILL CABIN 14.9

ASSEMBLY INSTRUCTIONS





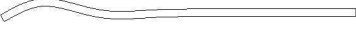



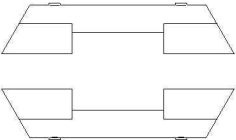
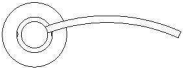
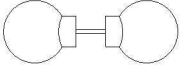
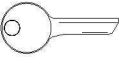
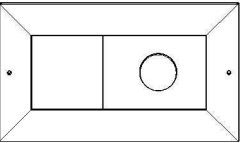


1. OPEN GRILL CABIN- 14.9

No.	Detail		Pcs	
1			5	
2			3	
2.1			2	
3			4	
4			2	
5			4	
6			1	
7			1	
8			7	
9			2	
10			8	
11			1	
12			7	
13 14			1	


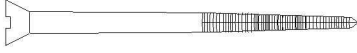



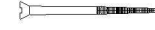















2. OPEN GRILL CABIN- 14.9

No.	Detail		Pcs	
15			7	
16			8	
17			6	
18			1	
19			1	
20			1	
21			2	
22			1	
23			1	
24			2	
25			15	
26			2	14.9 SKS 1
27			1	14.9 SKS 4
28			2	14.9 SKS 2
29			3	14.9 SL 3
30			3	14.9 SL 4
31			2	14.9 SL 1
32			2	14.9 SL 2
33			2	
34			1	

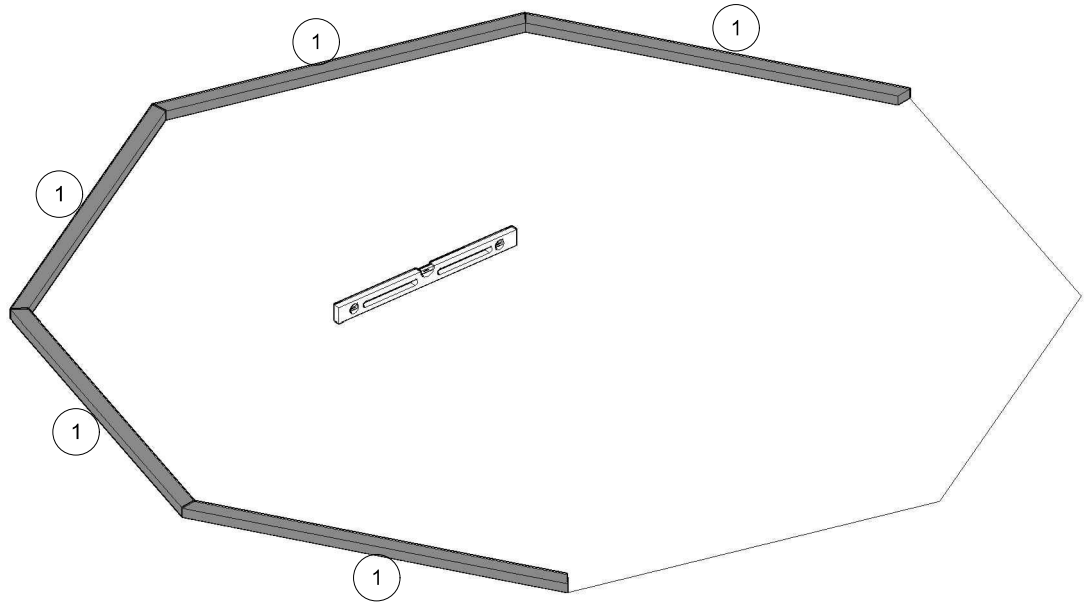
### 3. OPEN GRILL CABIN- 14.9

No.	Detail	Pcs	
S1		20	
S2		140	
S3		2	
S4		—	
S5		—	
S6		—	
S7		—	
S8		—	
T1		—	
T2		—	
T3		—	
T4		—	
T5		—	
T6		—	
T7		—	

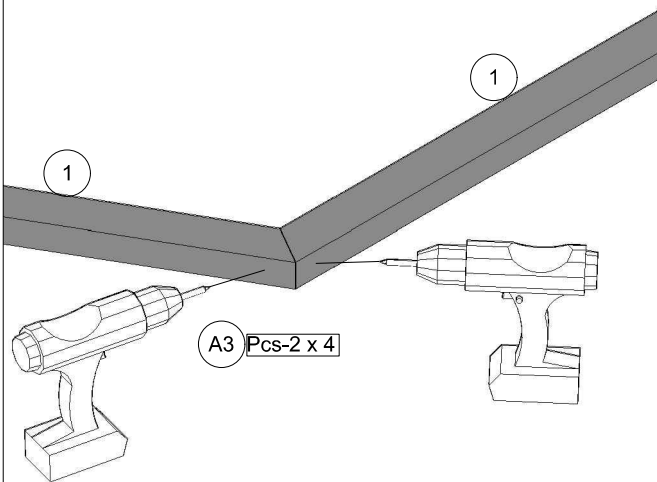
#### 4. OPEN GRILL CABIN- 14.9

No.	Detail	Pcs	
A0		—	
A1		—	
A2		—	
A3		137	
A4		—	
A5		118	
A6		—	
A7		—	
A8		32	
A9		—	
A10		—	
A11		60	
A12		—	
A13		—	
A14		—	
A15		—	
A16		—	
A17		1p	
A18		—	
A19		—	
A20		—	

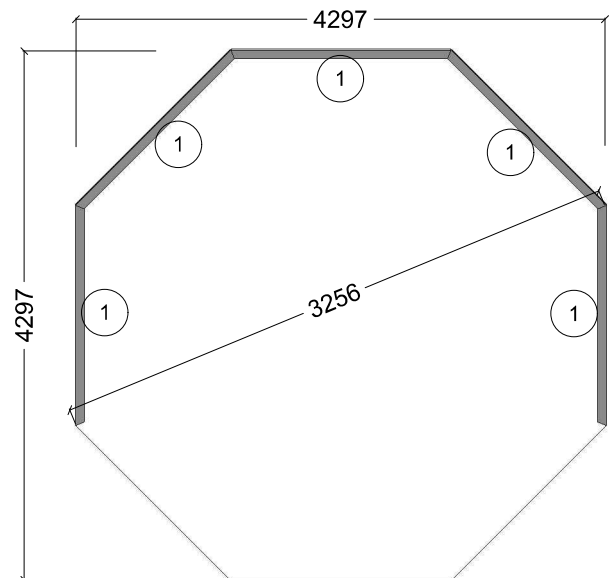
# 1. Open Grill cabin 14.9



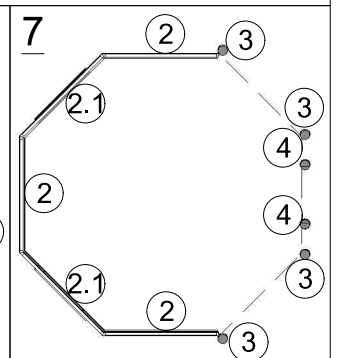
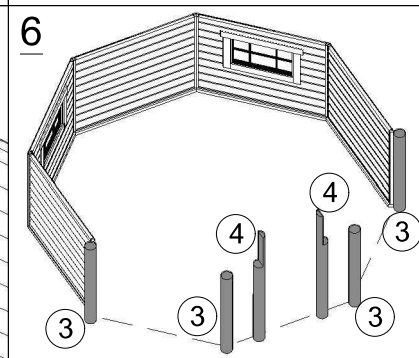
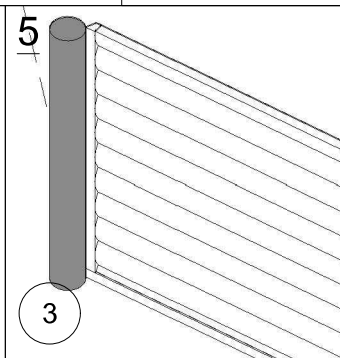
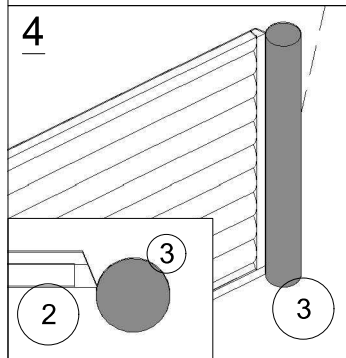
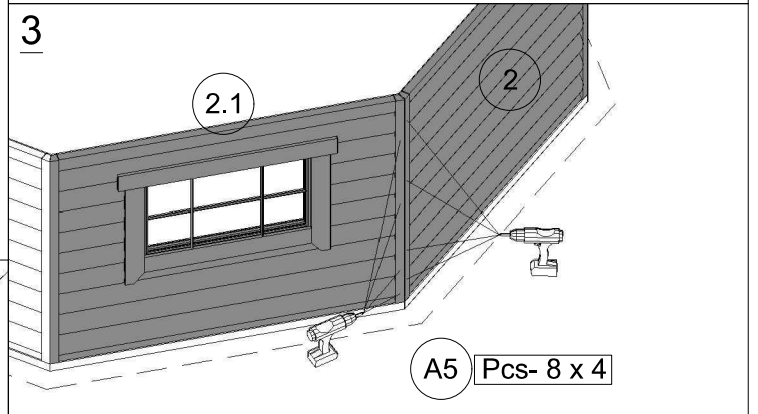
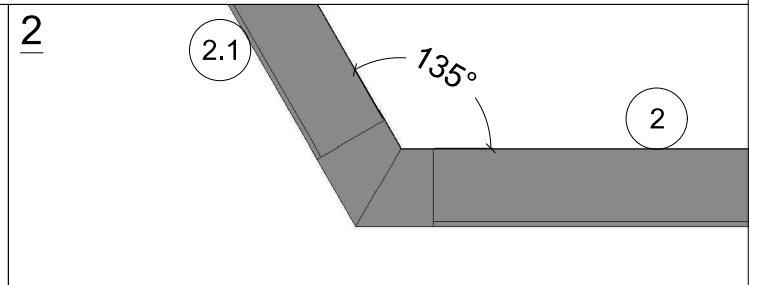
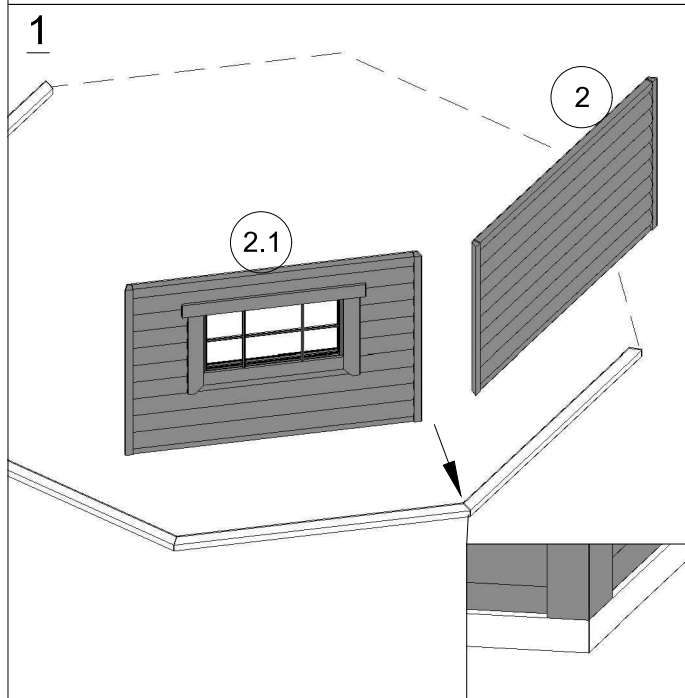
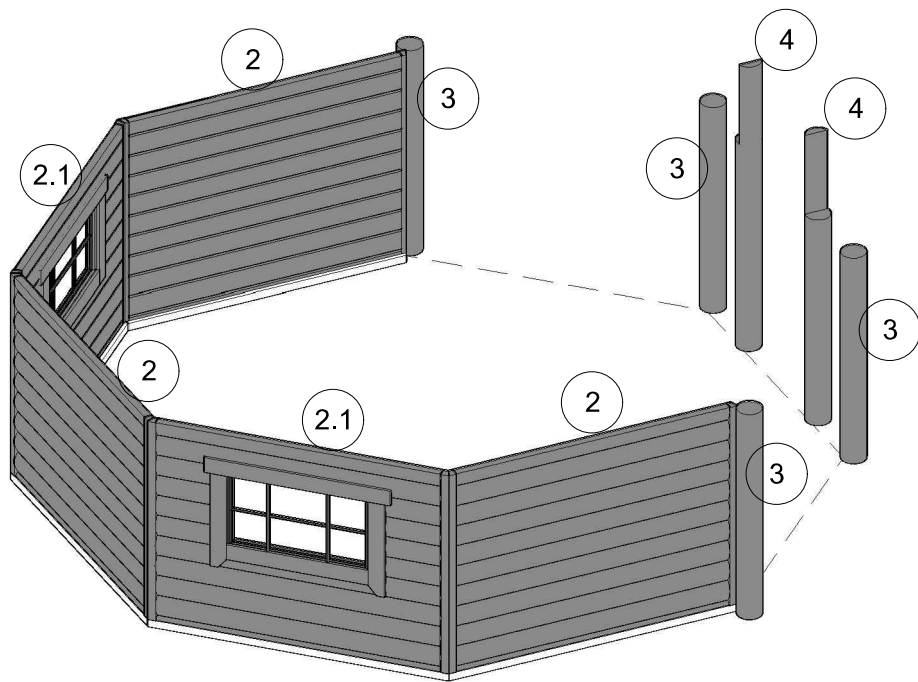
1



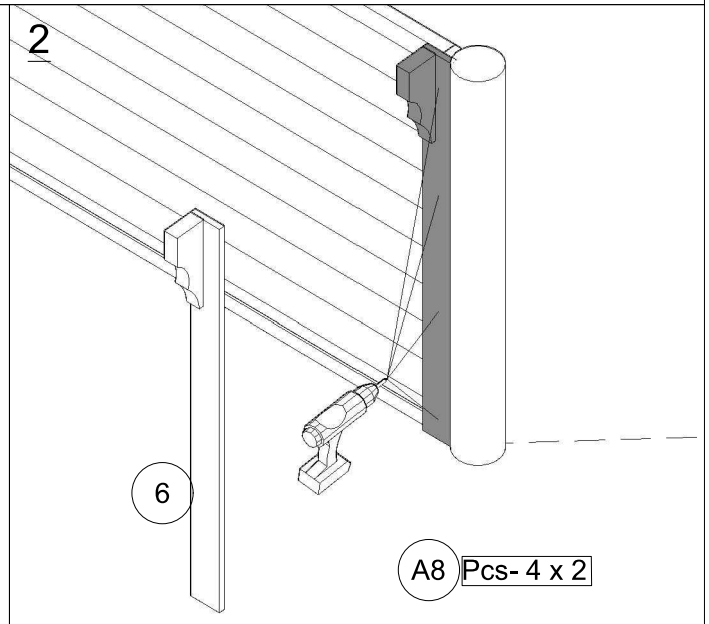
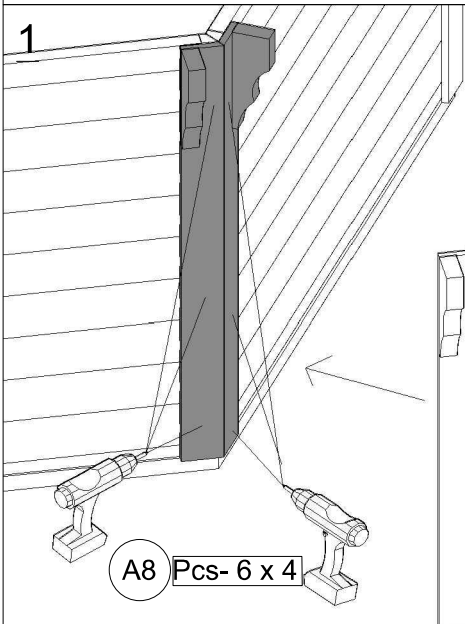
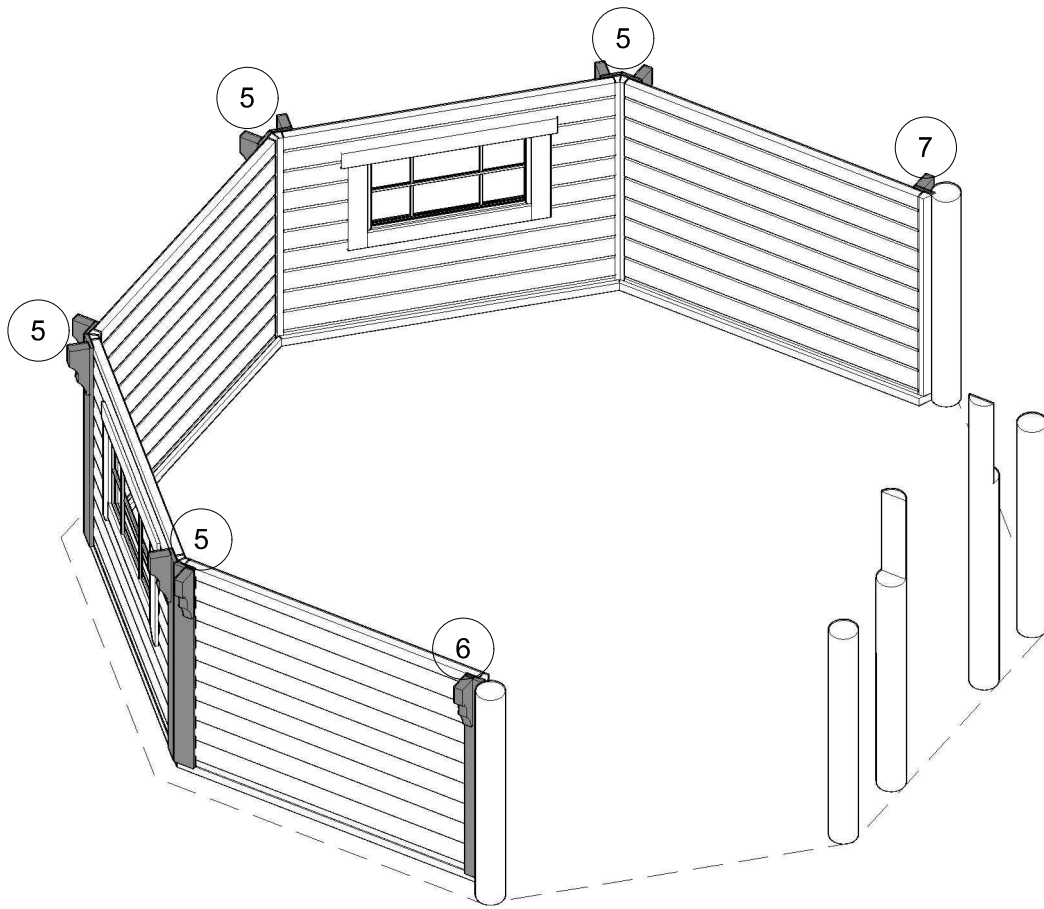
2



## 2. Open Grill cabin 14.9

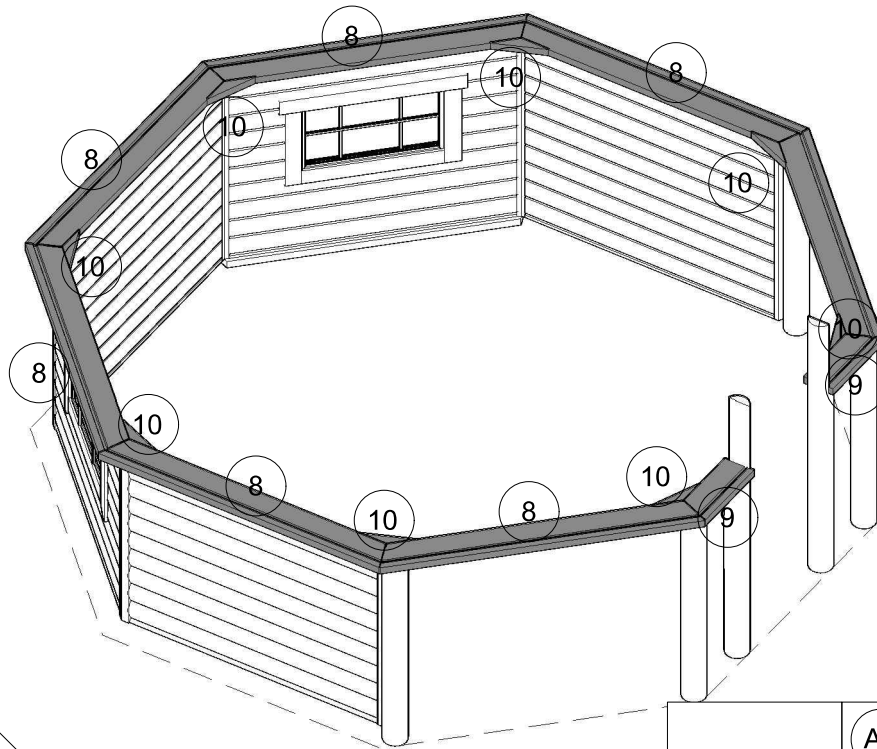


### 3. Open Grill cabin 14.9

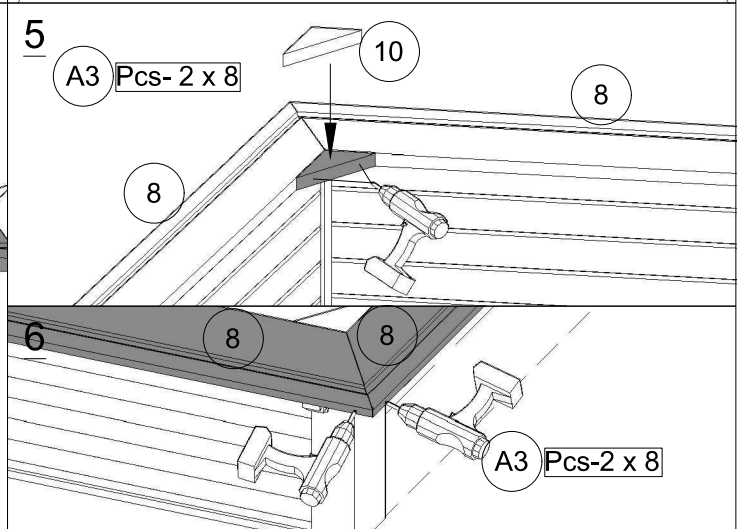
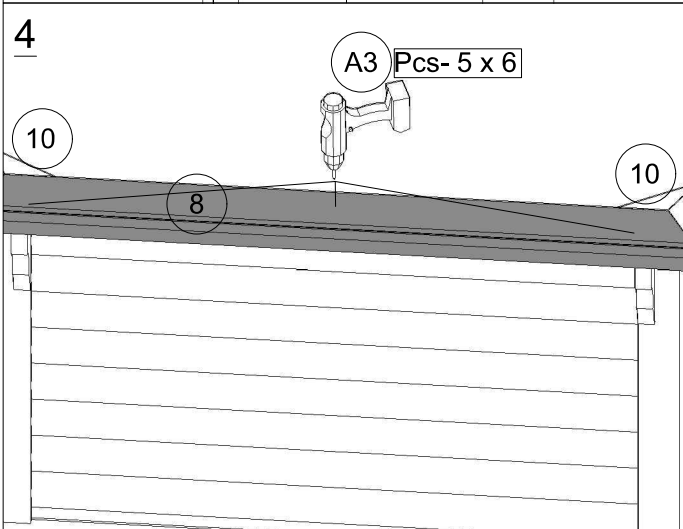
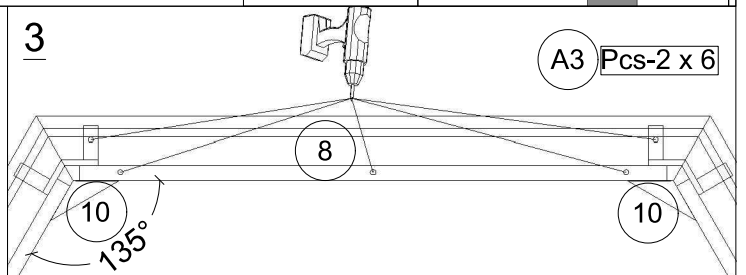
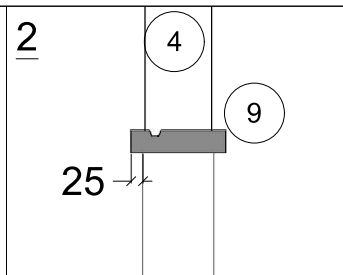
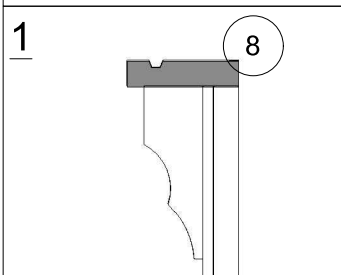
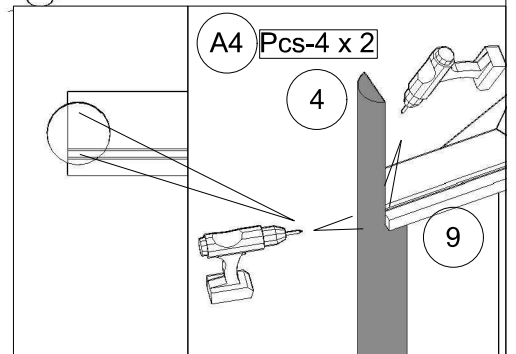
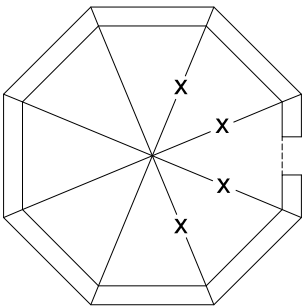




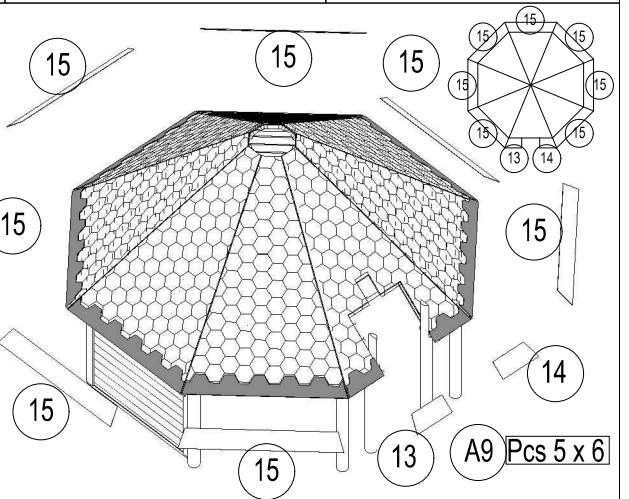
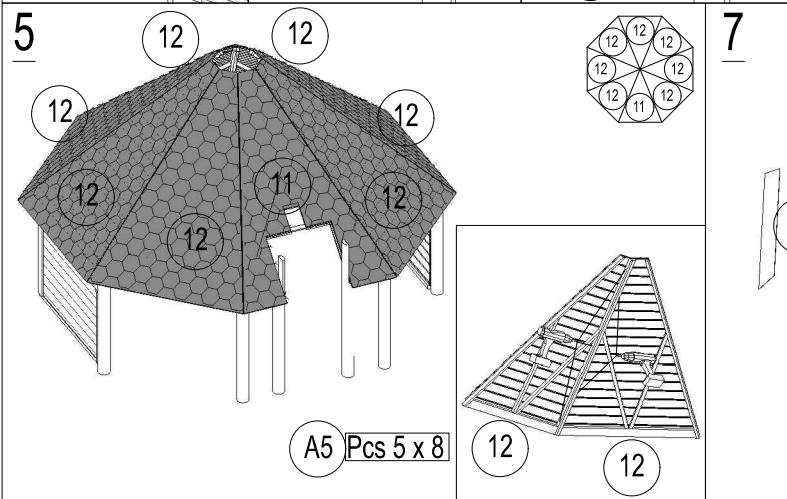
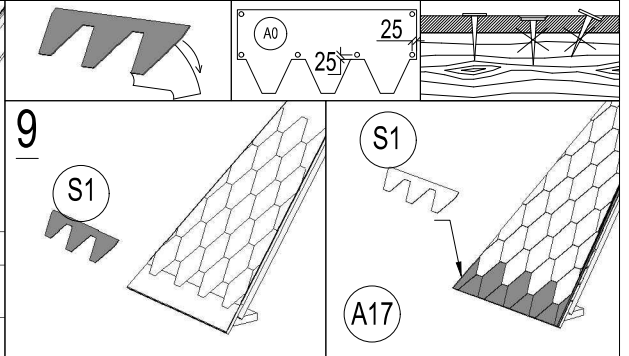
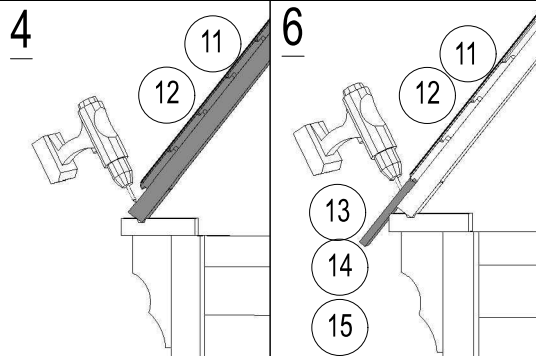
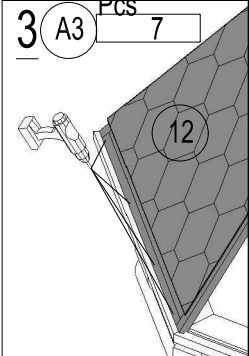
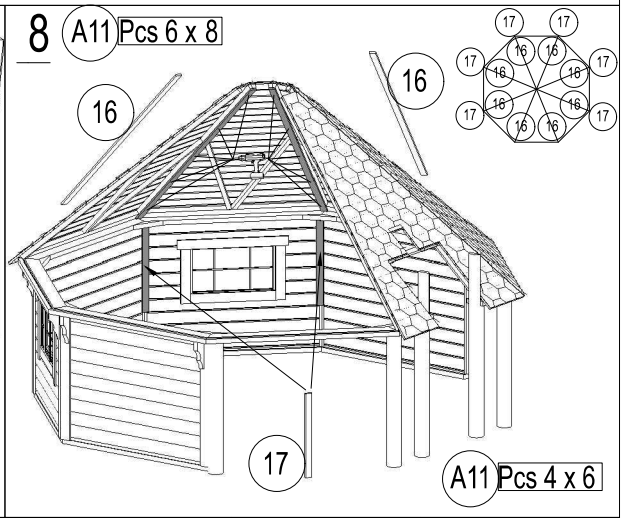
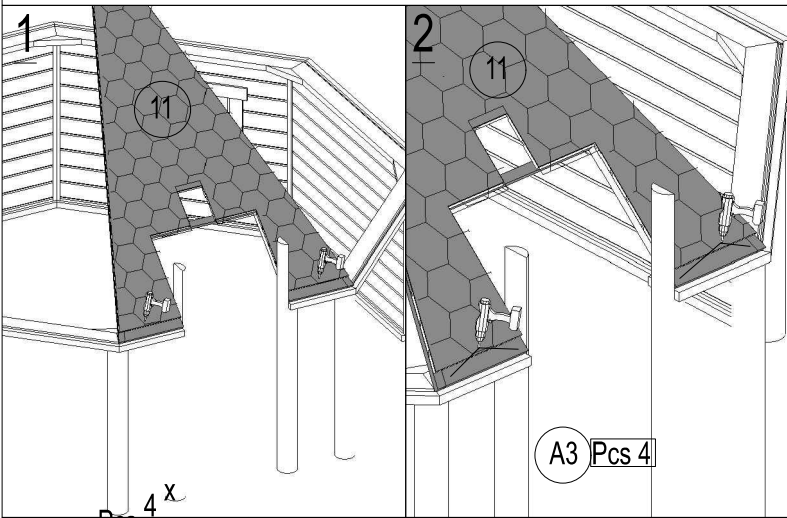
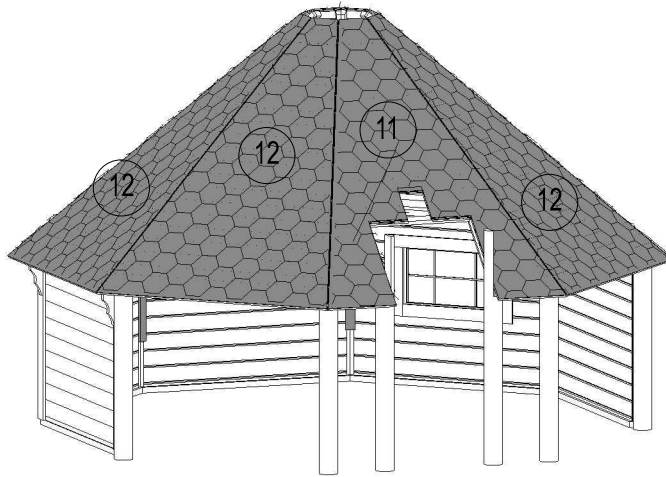
# 4. Open Grill cabin 14.9



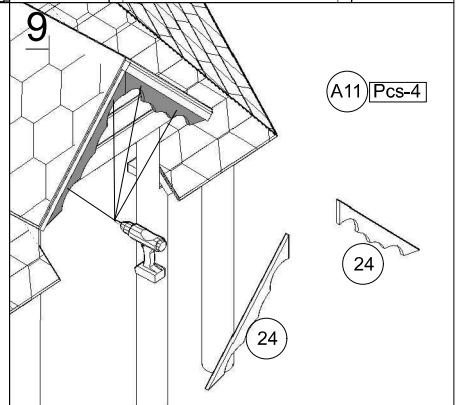
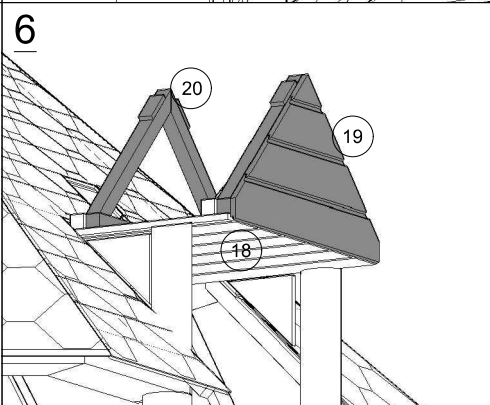
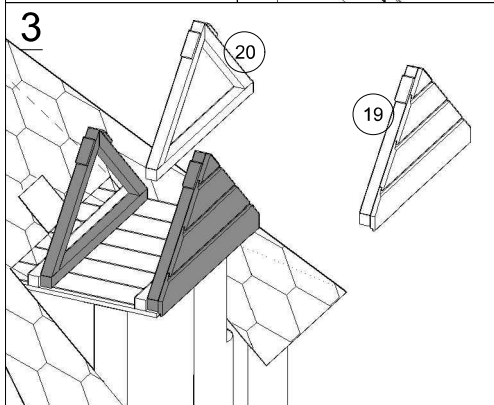
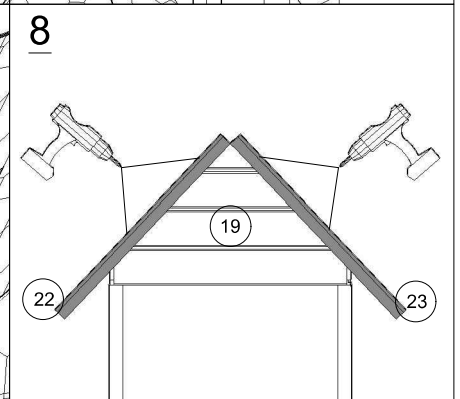
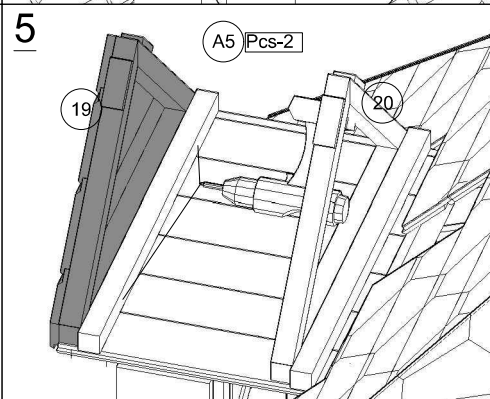
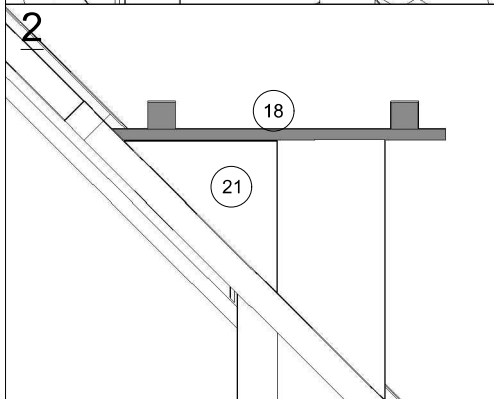
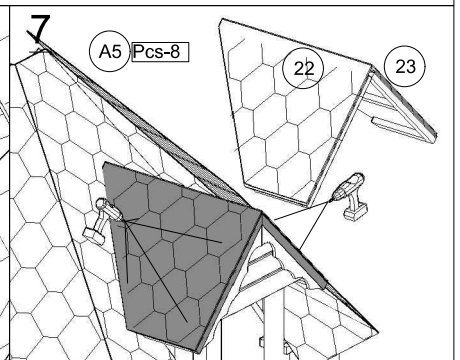
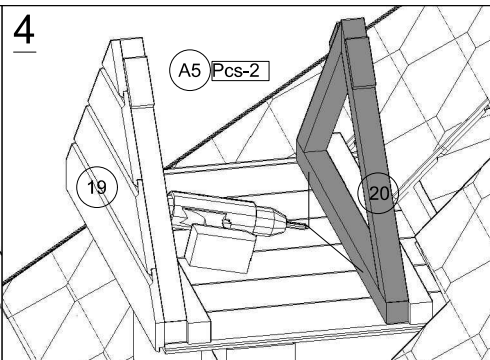
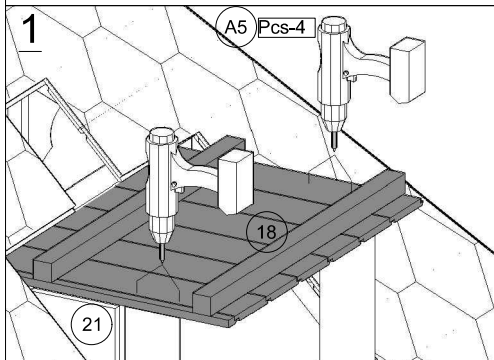
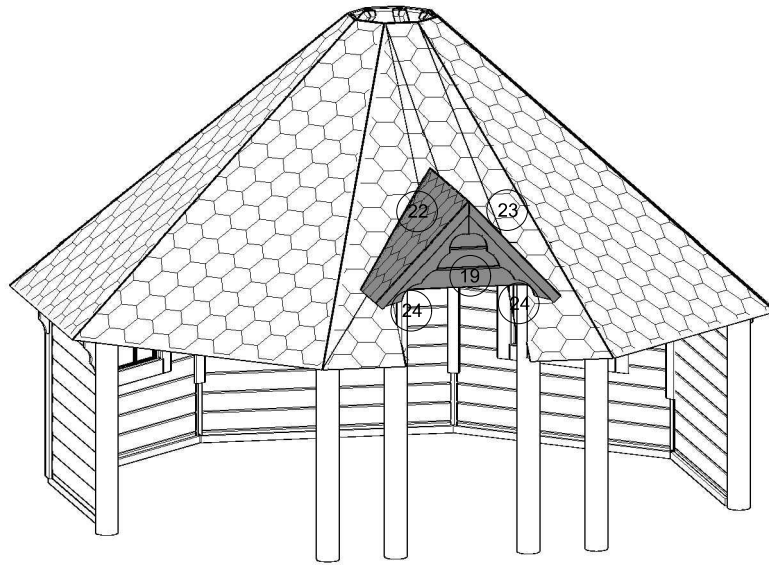
X=X



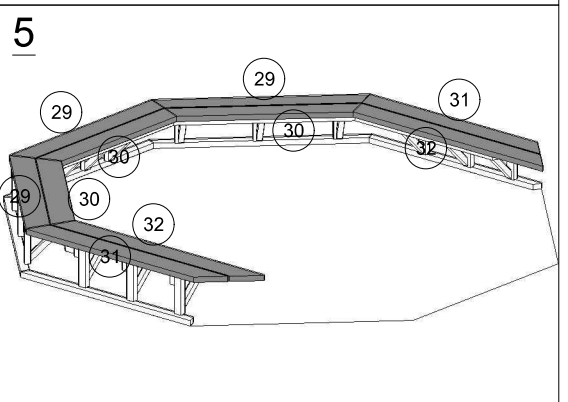
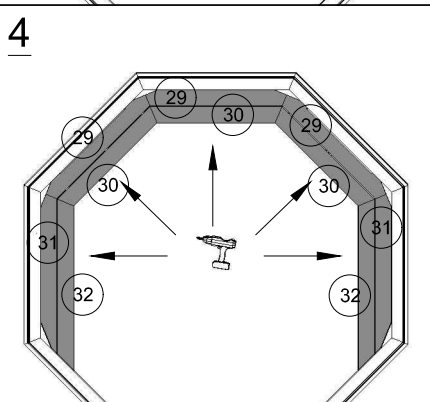
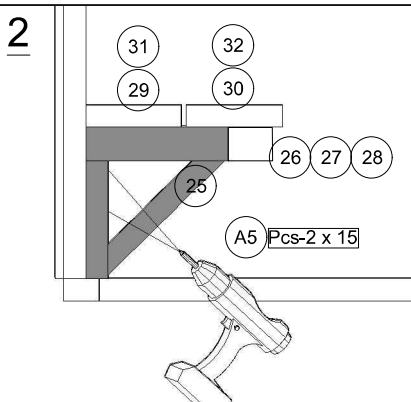
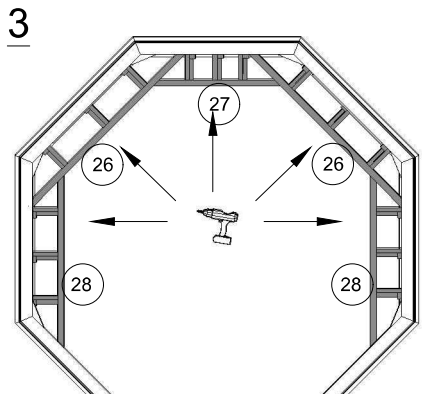
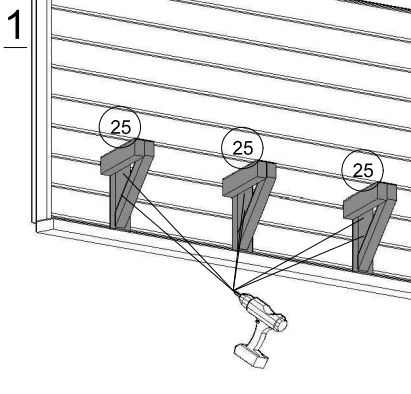
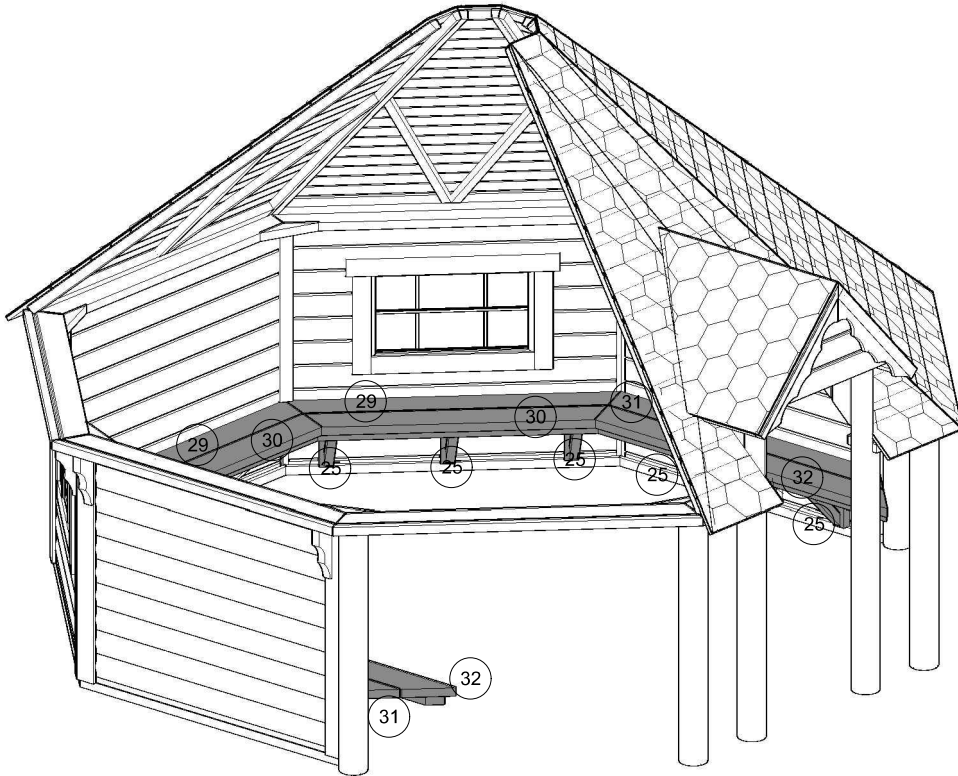
# 5. Open Grill cabin 14.9



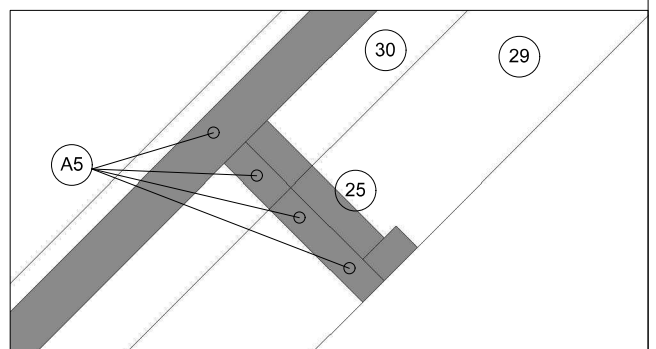
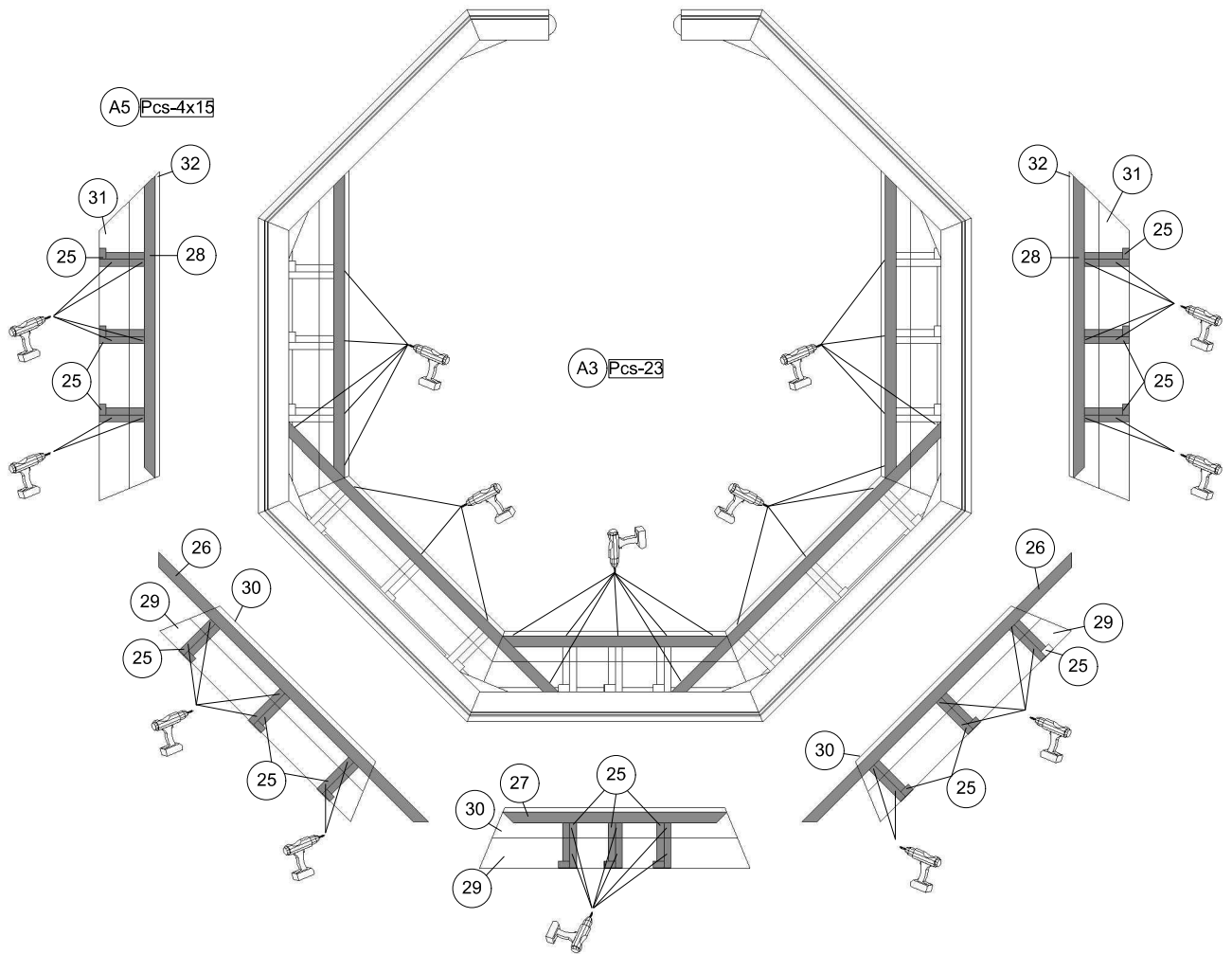
## 6. Open Grill cabin 14.9



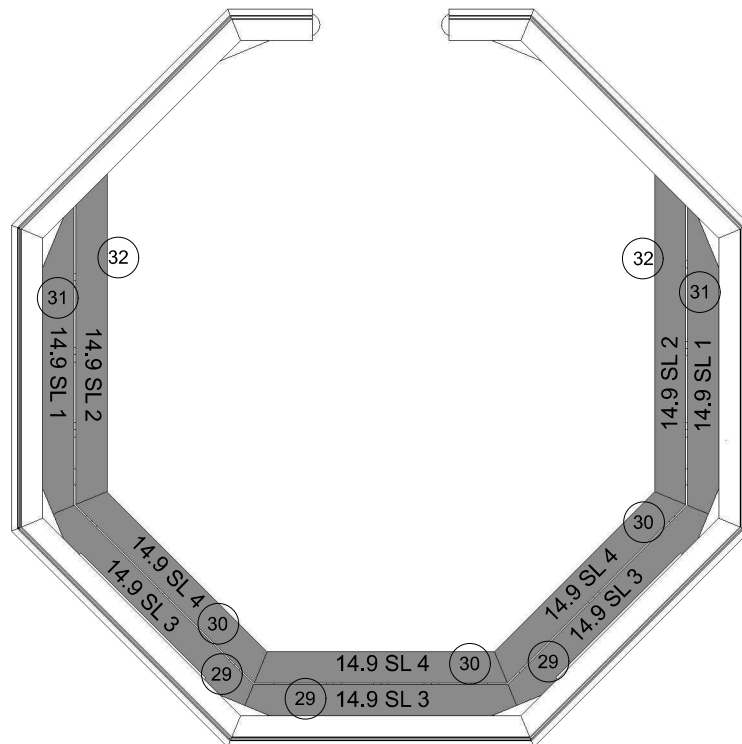
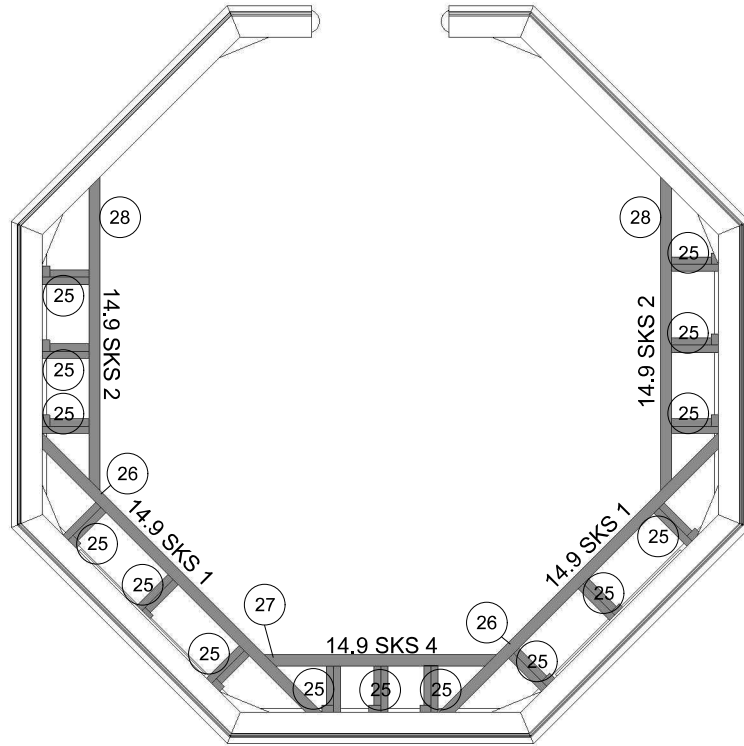
# 7. Open Grill cabin 14.9



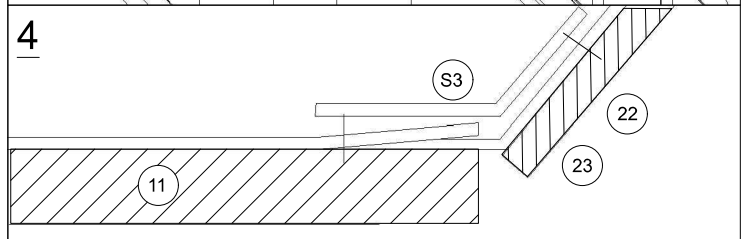
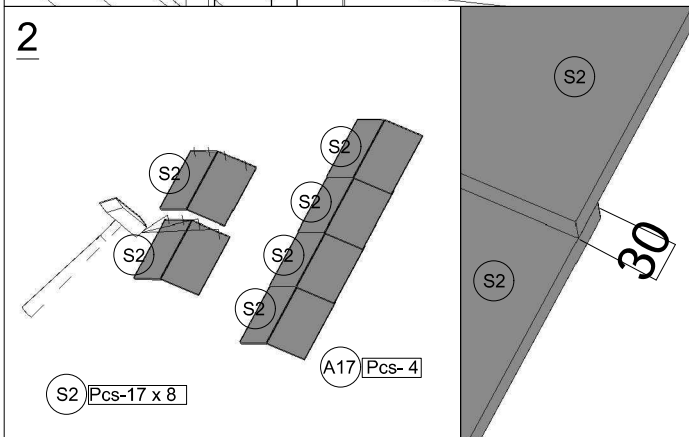
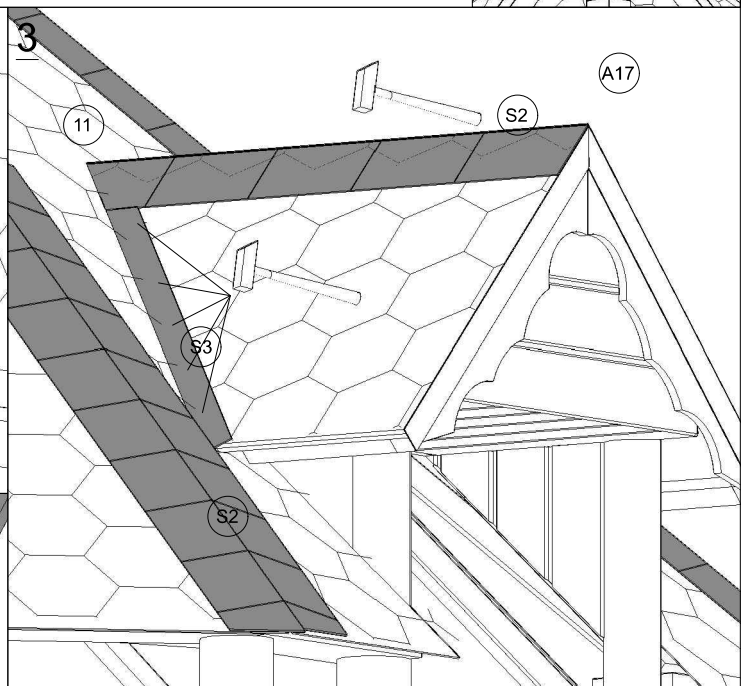
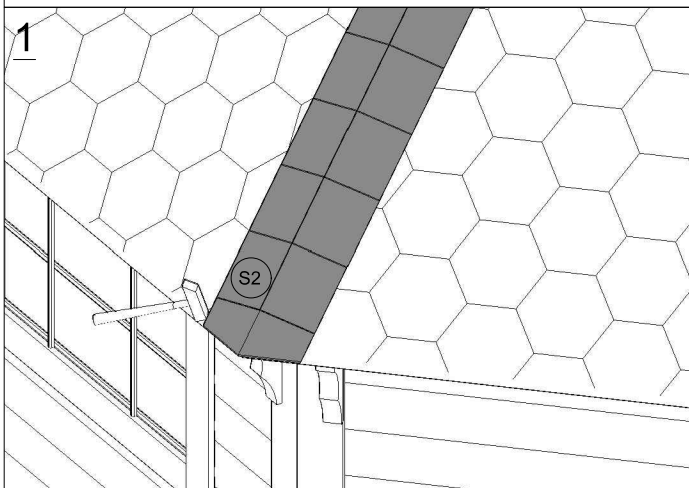
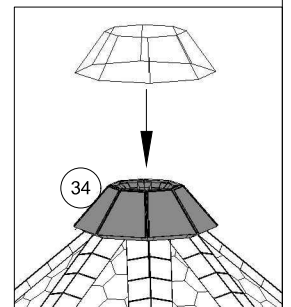
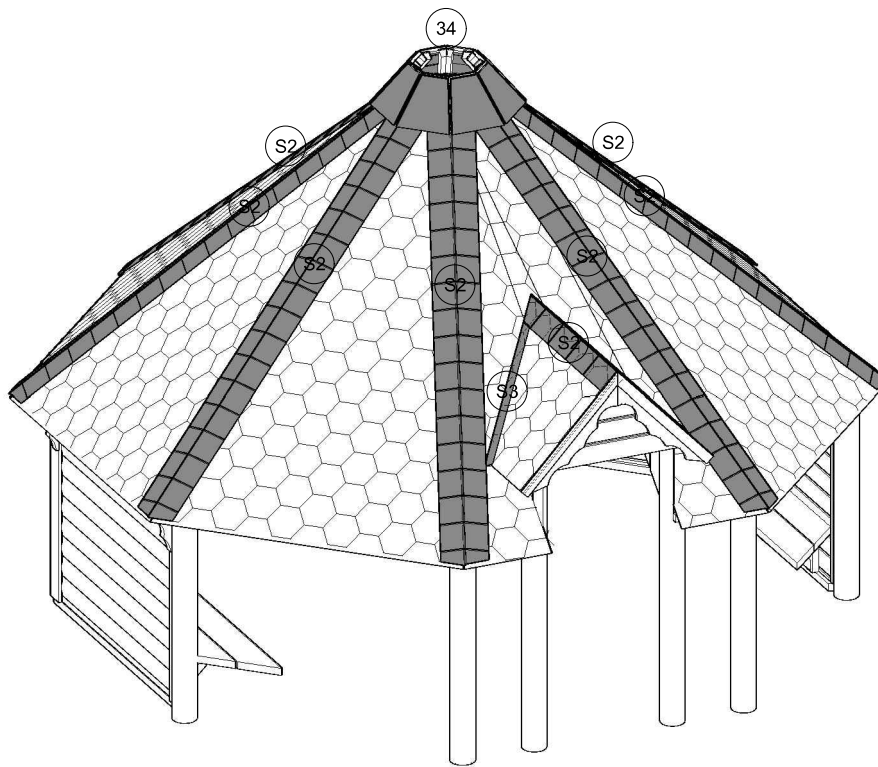
# 8. Open Grill cabin 14.9



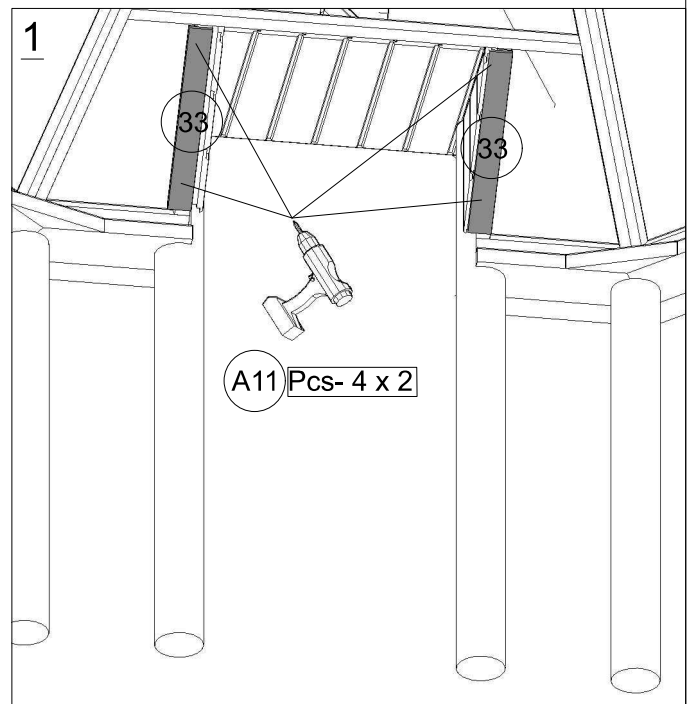
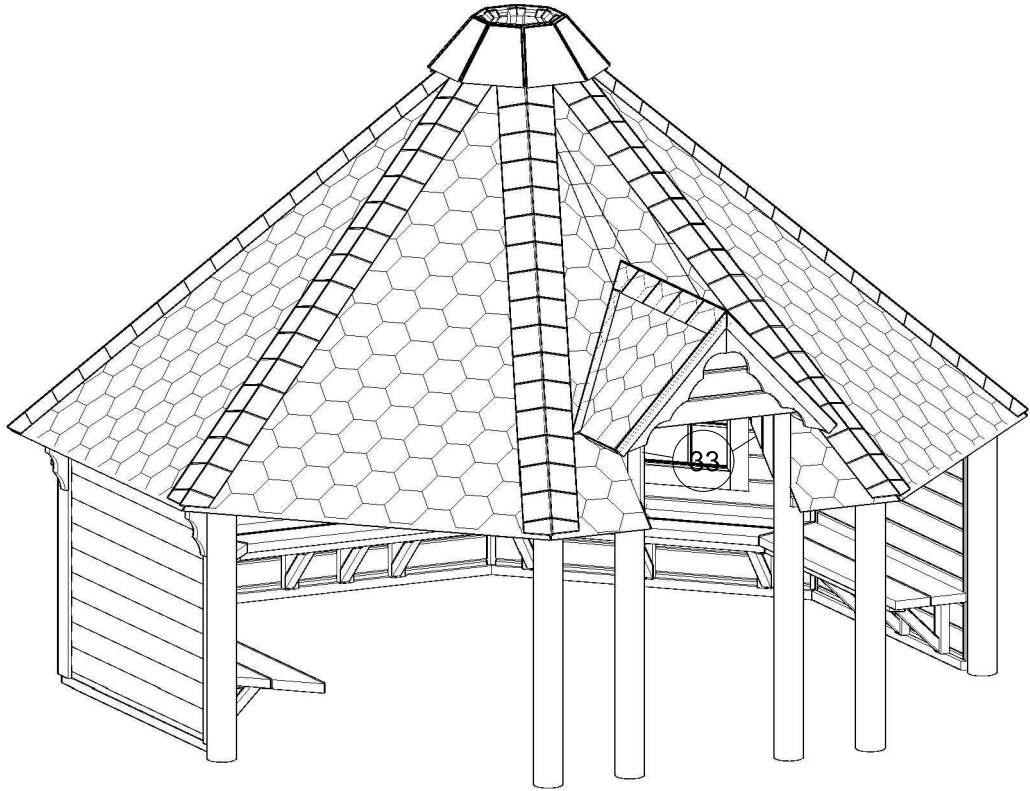
# 9. Open Grill cabin 14.9



# 10. Open Grill cabin 14.9



# 11. Open Grill cabin 14.9





## 12. Open Grill cabin 14.9

